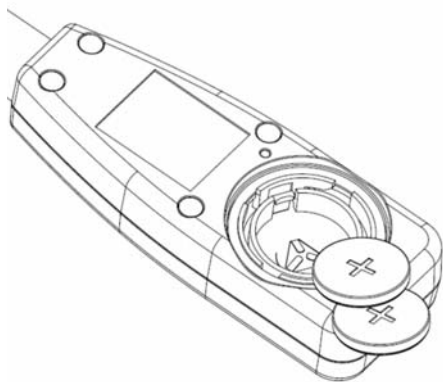




Designed for testing sample container with limited opening size:



Install the battery with correct polarity:



Ordering Code
 VZ8691AZ, 8691 long tube pH pen
 VZ8692AZ, 8692 long tube pH pen

IP65 Long Tube pH pen 8691/8692

- 12cm long pH probe
- Big and clear LCD provide real time pH and Temp. Display
- Measuring stability indicator
- One touch auto-calibration up to 3 points
- Calibration values are adjustable
- Storage bottle to keep sensor wet & last life time



20 mins
Auto Power Off



ATC
Auto Temp. Compensation



Metric/
Imperial



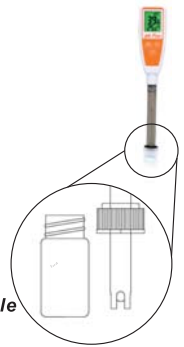
Low Battery



HOLD



IP65



Storage Buffer Bottle

Model	8691	8692
pH range	0.00~14.00	0.00~14.00
pH accuracy	+/-0.2	+/-0.1
pH resolution	0.01	0.01
Temp. range	N/A	0~60.0°C
Temp. accuracy	N/A	+/-1°C
Temp. resolution	N/A	0.5°C
ATC	N/A	ATC
LCD size	29(H)x22.5(W)mm	
Operating temp.	0~50°C	
Operating RH%	Humidity<80%	
Storage temp.	-10~50°C	
Storage RH%	Humidity < 90%	
Sensor life time	>6 months (with good maintenance)	
Dimension	226(L)x36(W)x20(H)mm	
Weight	115g	
Battery	CR2032 x 2pcs	
Optional	N/A	
Standard Package	Meter/Battery/Manual/Paper box	

