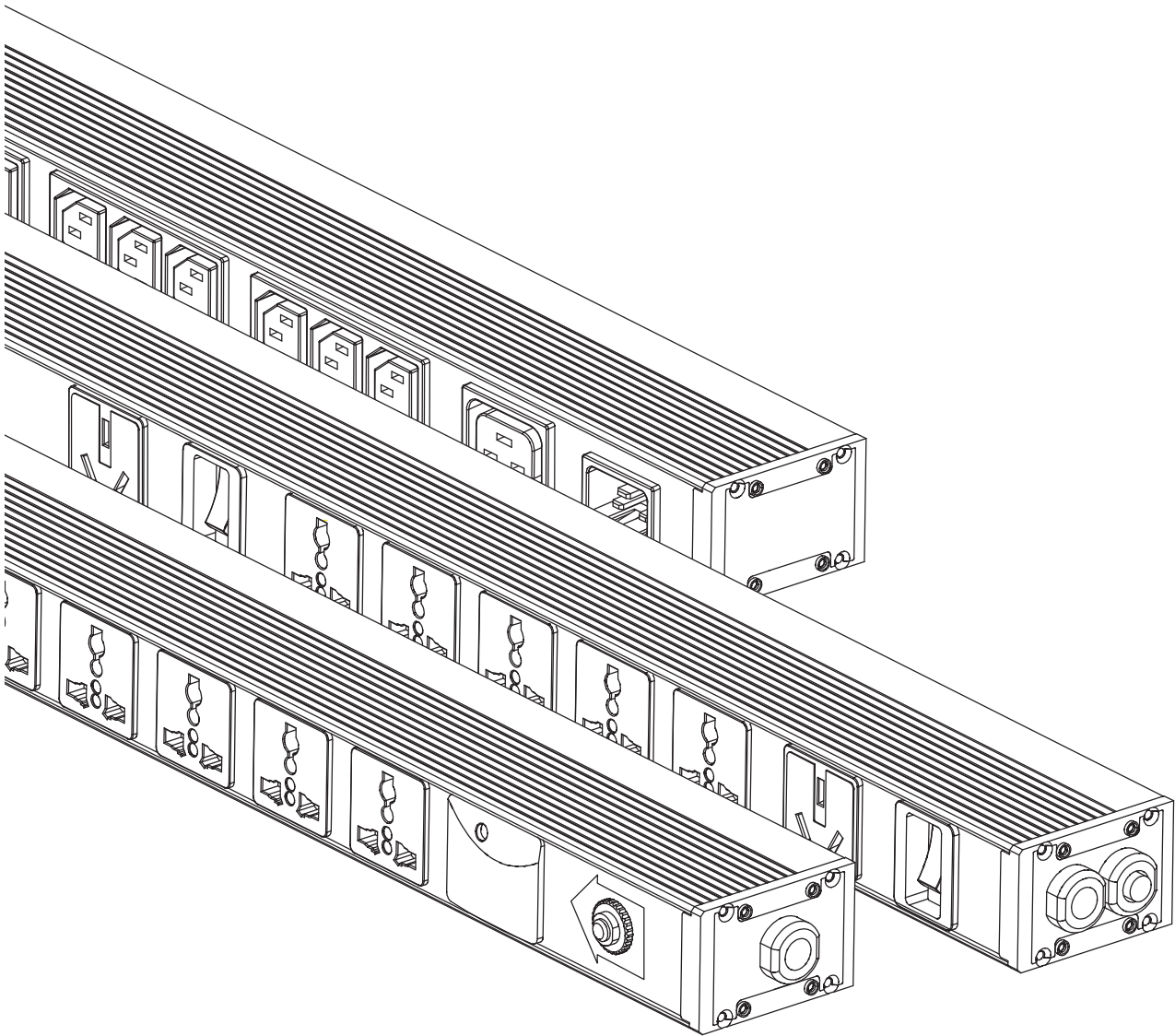


工程拓展 PDU  
**ENGINEERING EXPANDER SER.**

**产品使用手册**

User's Manual





## 警告

非专业人士严禁自行拆装本 PDU。  
严禁将接地插销插入任何带电插孔内，严禁单极插入。  
在插头插入 PDU 插孔的过程中，严禁触摸插销。  
使用时请确保前端地线畅通。

## Warning

Non-special person do not break down and assembly the PDU.  
Do not strike the earth line into the other electriferous sockets, or single strike in.  
Do not touch the plugs during insertion.  
so please make sure the front earth line connecting well.

**本产品设计和制造执行的标准**

Produced by the standard as  
Q/HD TOP0004-2015

# 目录

## Contents

产品介绍	INTRODUCTION	1
安装特点	INSTALLATION	2
安装图示	GRAPHIC OF INSTALLATION	3
安装配件图示	GRAPHIC OF MOUNTING ACCESSORIES	10
常见问题及处理方式	FREQUENTLY ASKED QUESTIONS AND MODE OF PROCESSING	12
售后服务	SERVICE	13

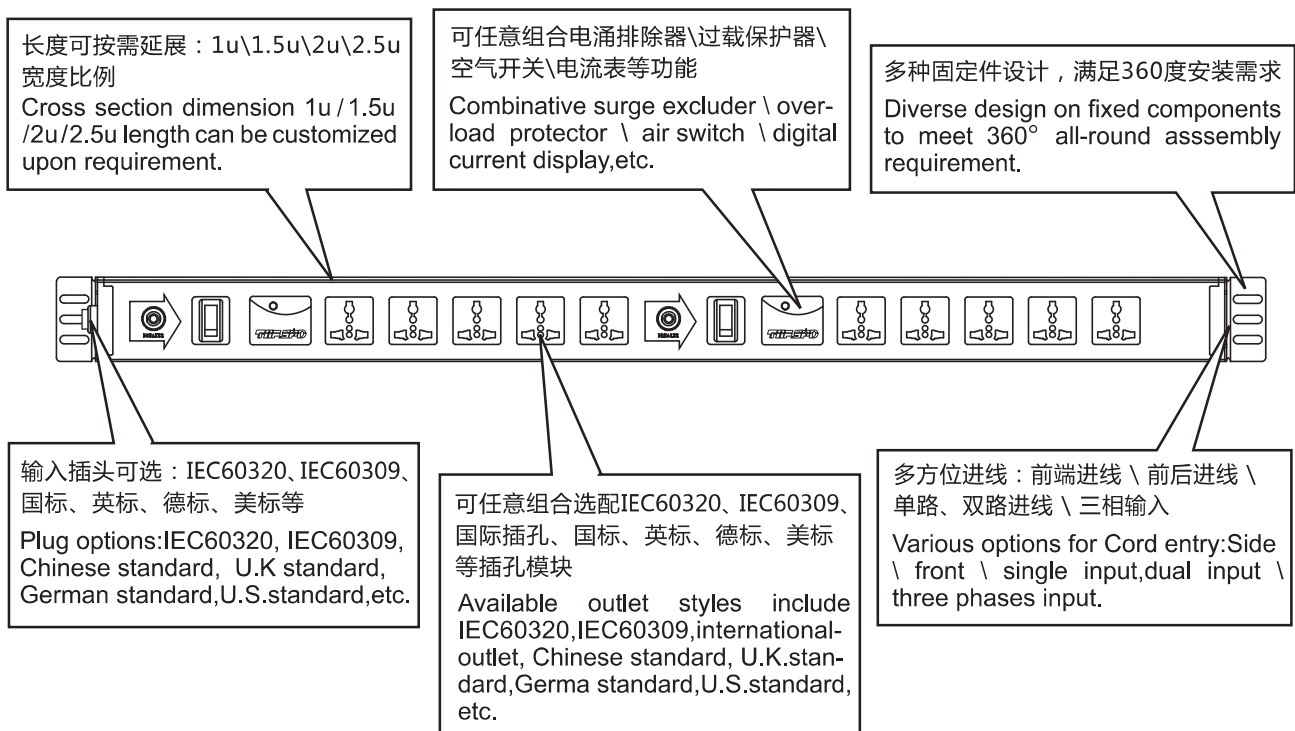
## 工程拓展PDU Engineering Expander PDU

专业设计的机柜电源分配单元，为机架式安装的电气设备提供科学安全的电力分配。产品安全可靠，可使机柜环境整齐、美观，并使机柜的电源维护更加便利、可靠。

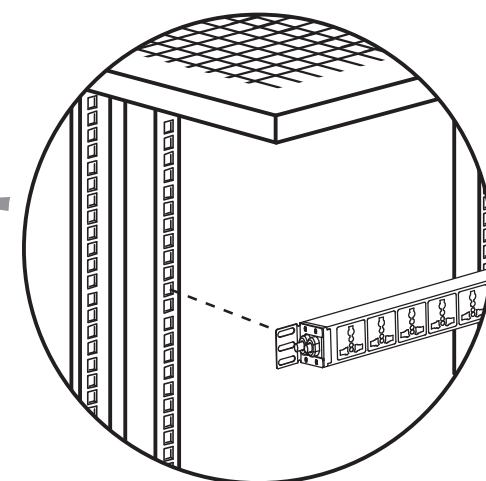
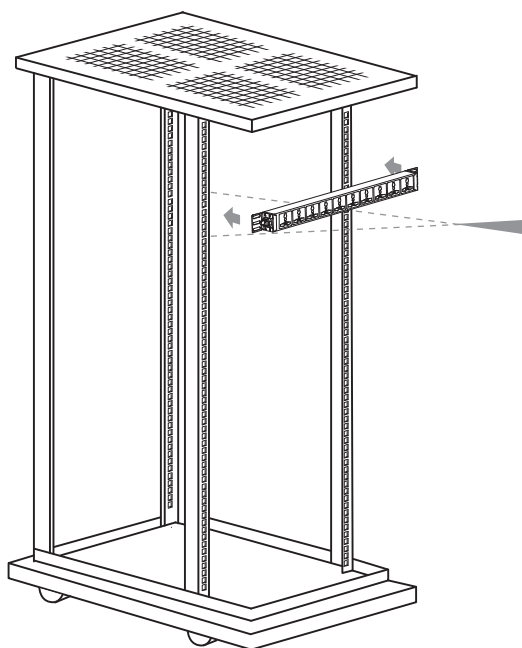
本系列产品根据国际标准设计，提供丰富的功能模块供用户选择。工艺精湛、结构合理、品质上乘、易于安装操作，广泛应用于各类机柜中。

Engineering Expander PDU Series is designed for rack-installation of electrical equipment providing electricity for the distribution of cabinet power distribution unit. They have different functions, composition and inserted in a variety of installation specifications, safe, reliable, professional, the use of electricity for different environment appropriate rack power distribution solutions that enable Cabinets environment tidy and beautiful, and the power rack maintenance more convenient and reliable.

Engineering Expander PDU products with a variety of functions, provides a wealth of functional modules for users to choose. Product design polished, fine workmanship, reasonable structure, high quality, easy installation and operation, widely used for electrical power distribution equipment in various types of standard rack cabinets.



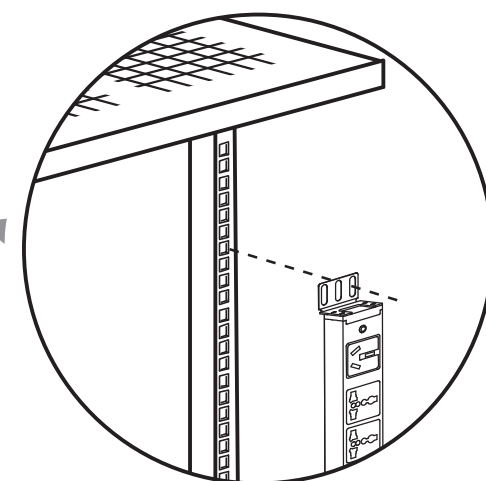
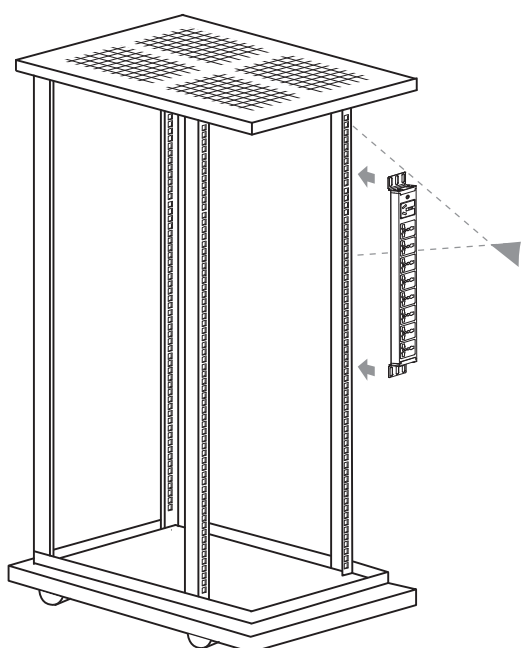
安装特点 Installation



**横安装** Horizontal Installation

另可采用特制L型弯板，实现将PDU产品调整90度安装

It is with the L brackets . The PDU can be installation and adjusted 90 Degree.



**竖安装** Vertical Installation

另可采用特制L型弯板，实现将PDU产品调整90度安装

It is with the L brackets . The PDU can be installation and adjusted 90 Degree.

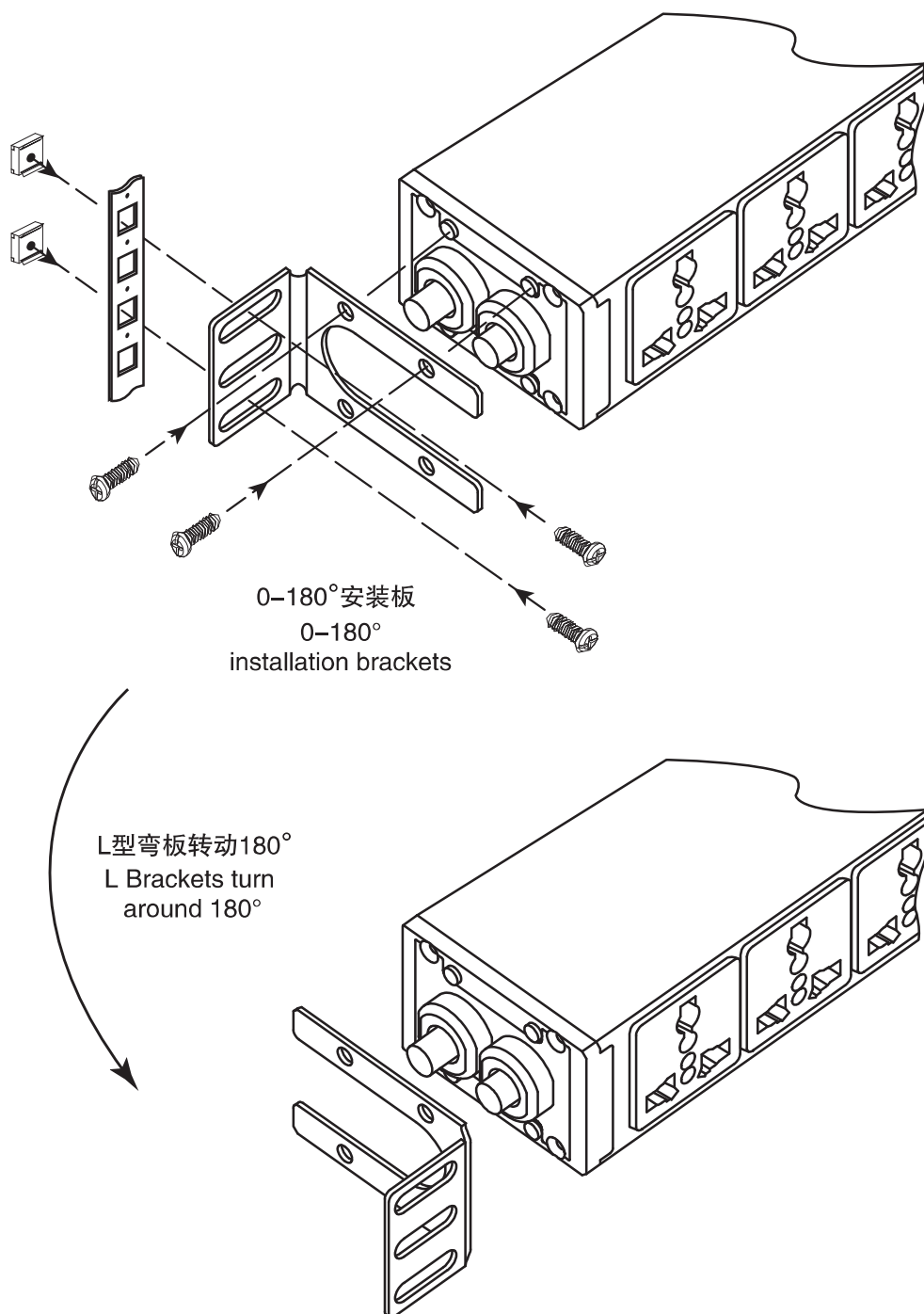


安装图示 Graphic of Installation

1

面板向前  
两种安装方式

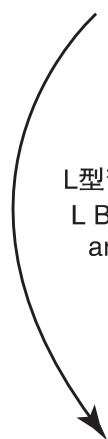
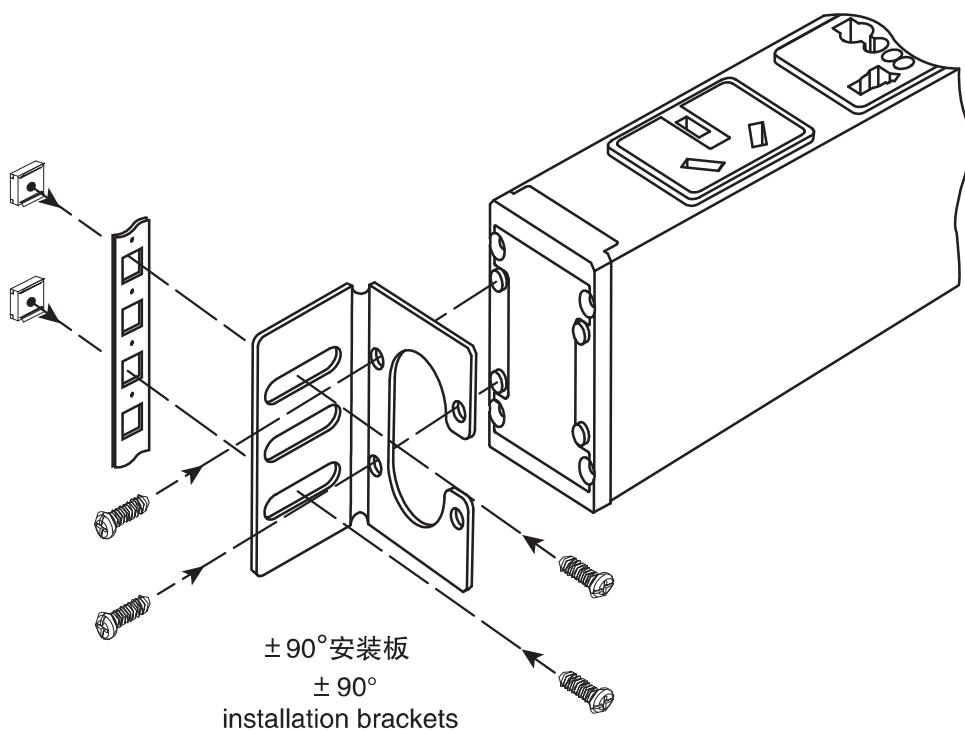
The outlet in front  
Two ways installation



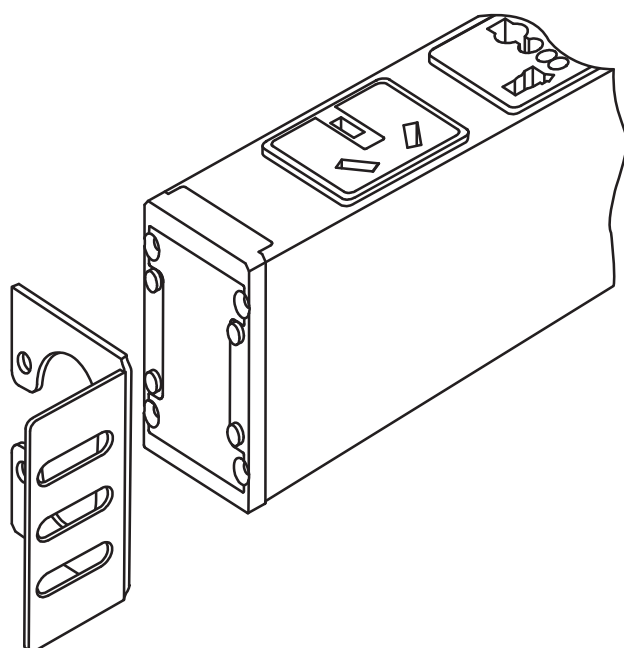
2

面板向上  
两种安装方式

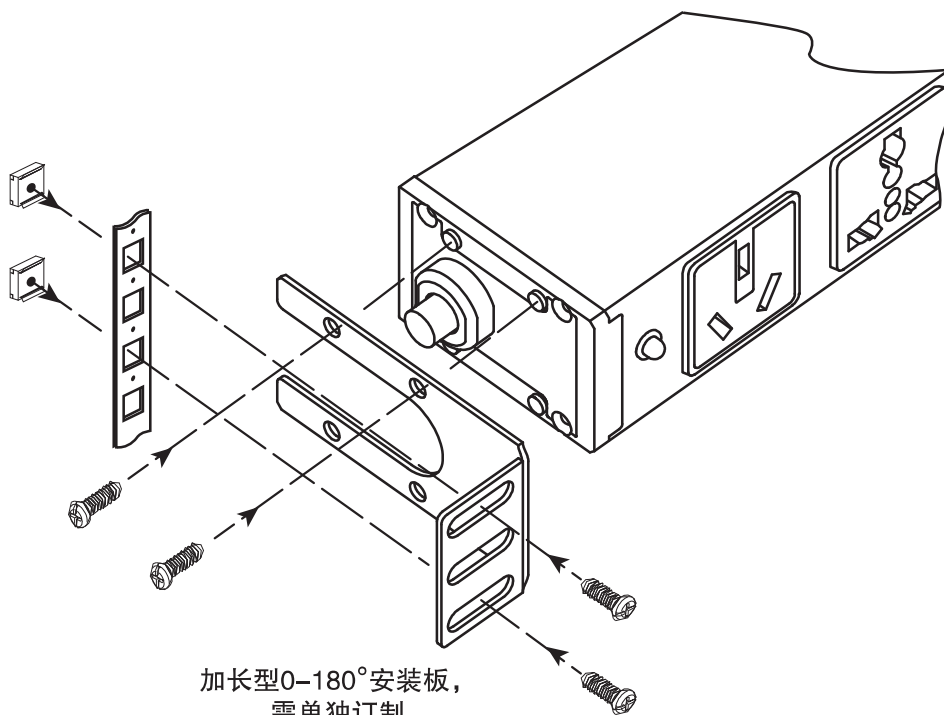
The outlet up  
Two ways installation



L型弯板转动180°  
L Brackets turn  
around 180°

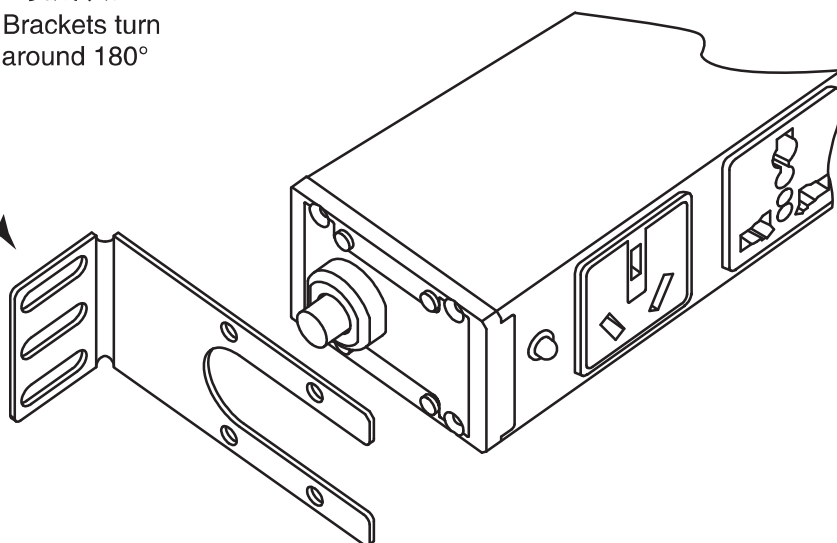


**3** 面板向前加长L型弯板 两种安装方式  
The outlet in front Longer L brackets Two ways installation



加长型0-180°安装板，  
需单独订制  
Longer 0-180°  
L brackets customized

L型弯板转动180°  
L Brackets turn  
around 180°





**免工具安装装置安装** (此为NSPDU所具备，具体以所订型号为准)

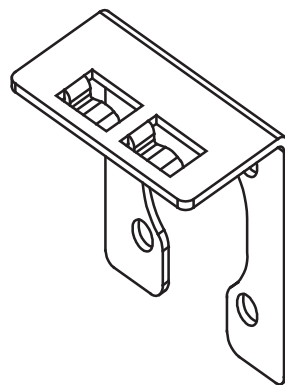
Free of installation tool device (Only for NSPDU , Specific to the ordered model No.)

1 ) 挂接附件

Hanging accessory

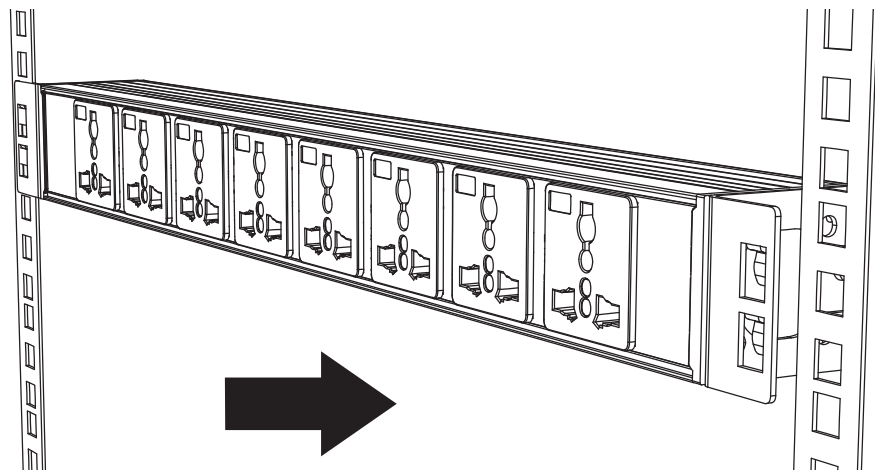
使用卡勾弯板，直接把NSPDU产品挂接在机柜安装支架上。

The fixing plate can be directly installed NSPDU on the rack mounting bracket .



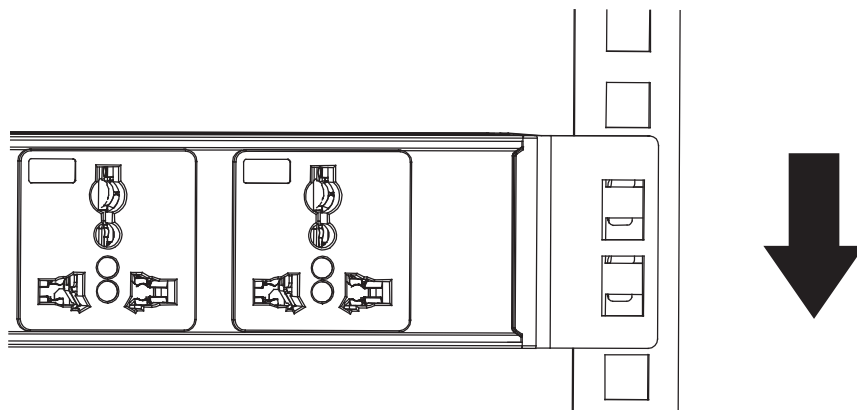
a ) 卡勾弯板安装到 NSPDU 产品上，并按下图图示方向，使卡勾进入机柜安装支架安装孔内。

The fixing plate is mounted to the NSPDU products, and fix into the cabinet mounting bracket hole according to the direction.



b ) NSPDU 产品以下图图示方向，卡接安装到位，使产品固定在机柜安装支架上。

The following diagram show the direction of NSPDU products,it will install in place so that the product can be fixed on the rack mounting bracket .

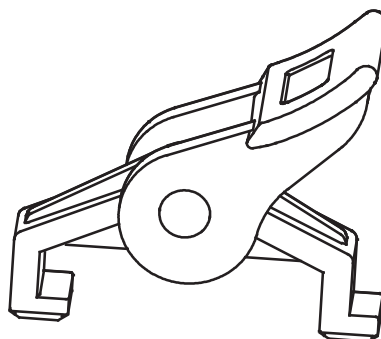


## 2 ) 凸轮锁紧附件

### Cam lock accessory

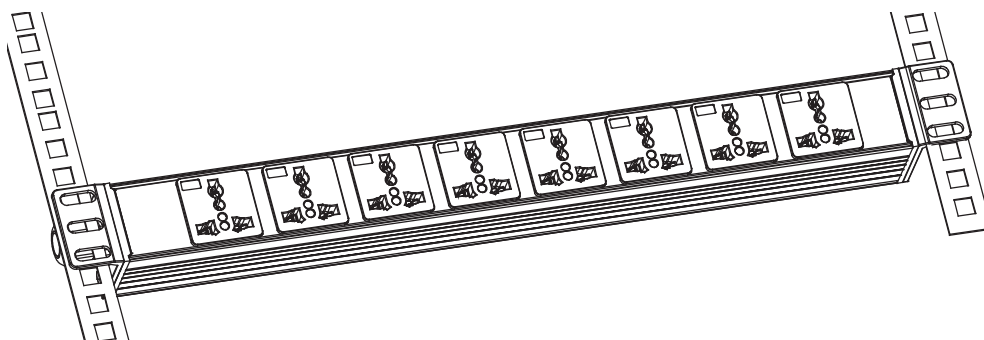
利用凸轮锁紧免工具安装附件，直接把NSPDU产品锁紧在机柜安装架上。

The cam lock accessory is a tool free installation accessories , it will directly lock NSPDU product in the cabinet .



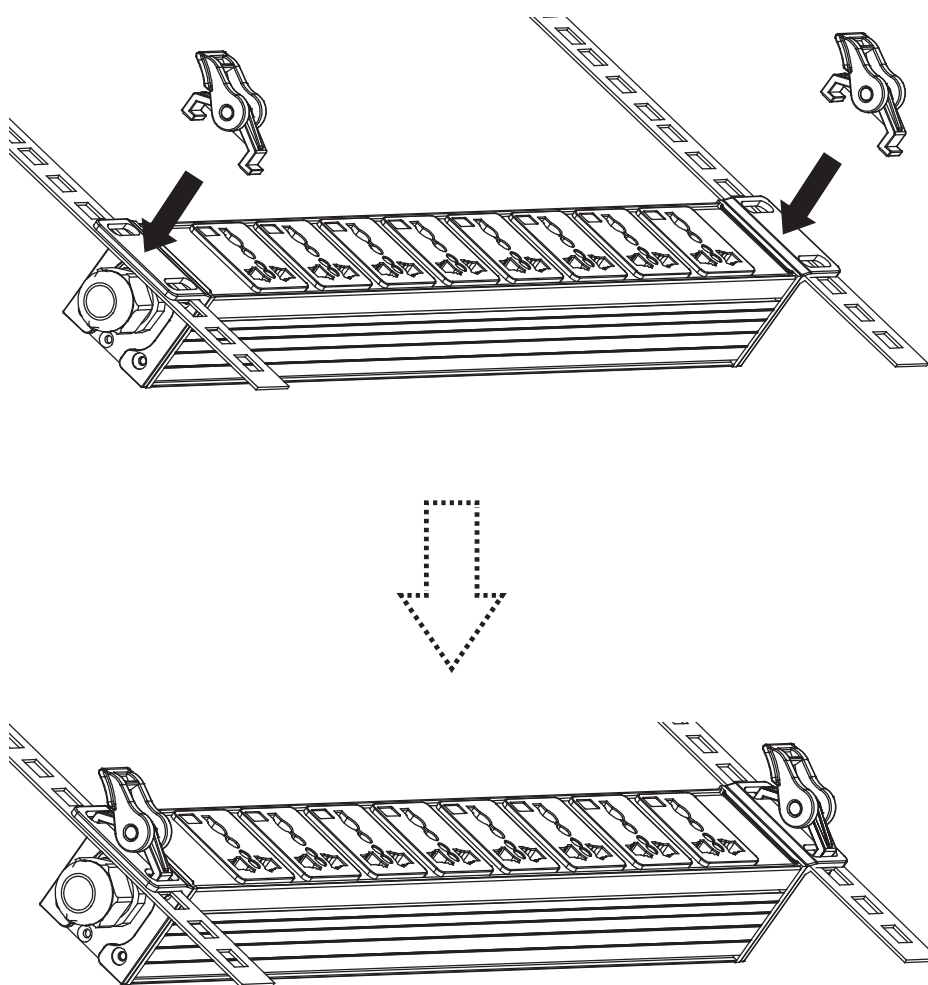
a ) 如下图NSPDU产品放到安装固定位置

The following figure will show NSPDU products fixed position .



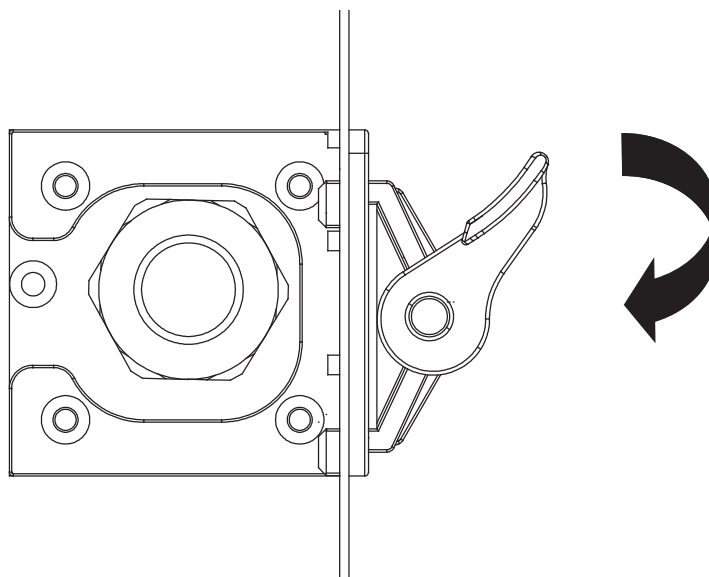
b) 免工具安装附件按下图方向穿过NSPDU产品L型弯板安装孔和机柜安装架安装孔。

Tool free installation accessory according to the direction, should be through the NSPDU products L bending plate mounting hole and cabinet installation rack mounting hole .

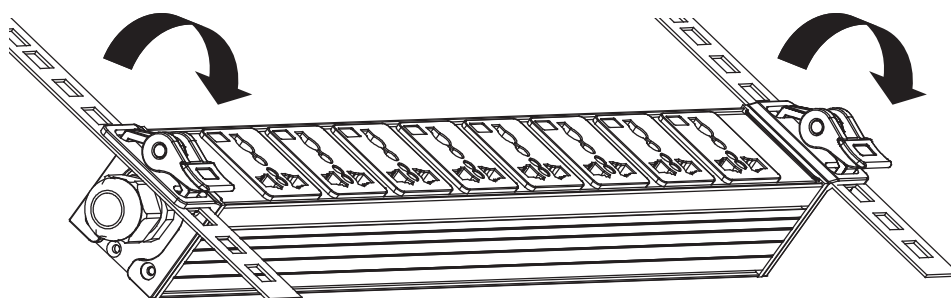


c) 免工具安装附件如下图所示方向移到卡接位置。

Move tool free installation accessory to clamping position as shown in the direction.

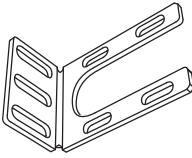
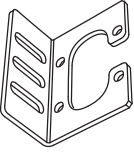
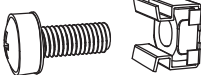

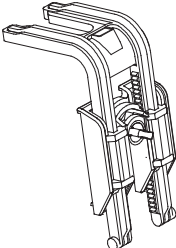
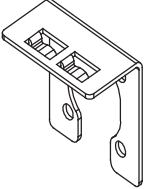
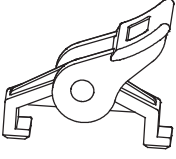


d) 旋转手柄，锁紧NSPDU产品使产品固定在机柜安装架上。  
Rotate the handle to lock NSPDU products in the rack mounting bracket.



挂接附件和凸轮锁紧附件也可以配合使用，NSPDU产品一端使用挂接附件另一端使用凸轮锁紧附件与机柜安装架固定。  
Hanging accessory and cam lock accessory can be used together .One end of NSPDU can use hanging accessory and another end can use cam lock accessory to install in Cabinet .

安装配件图示 Graphic of Mounting Accessories

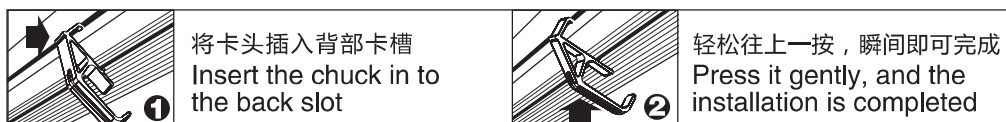
名称 Name	图示 Graphic	水平装 Horizontal	垂直装 Vertical	
常规弯板 0-180°安装板 General Brackets 0-180° installation brackets		2 个 two pcs	2 个 two pcs	
特制弯板 ±90°安装板 Special Brackets ±90° installation brackets		2 个 two pcs	2 个 two pcs	
螺钉螺母 Screws 螺钉规格：M6x16mm specification: M6 × 16mm		6 套 six sets	6 套 six sets	
理线器 Cord Manager		4 个 four pcs	4 个 four pcs	
插头锁紧固定装置 Plug locking device (非标配,下一代安全增强型 PDU (NSPDU) 专用附件) Nonstandard accessory, Only for new generation PDU (NSPDU)		根据客户要求 Customer requirement		
免工具安装 装置 Free of installation tool device (非标配,下一代 安全增强型 PDU (NSPDU) 专用 附件) Nonstandard accessory, Only for new generation PDU (NSPDU)	挂接附件 Hanging accessory (适用安装板厚度: 1.2~1.5mm) Applicable for thickness of installation board: 1.2~1.5mm		2 个 two pcs	2 个 two pcs
	凸轮锁紧附件 Cam lock accessory (适用安装板厚度: 1.2~2 mm) Applicable for thickness of installation board: 1.2~2 mm		2 个 two pcs	2 个 two pcs

⚠ 不同产品的配置有所不同，请以实际为准。

The accessories may differ between different products, and are subject to the actual product.

附：理线器使用说明 Cord Manager Instruction

- 保障配电安全，避免因意外断电造成重大损失。  
Ensure safe power distribution and avoid losses caused by accidental power outage.
- 统一电源线走向，使机柜环境更加整齐、可靠。  
Arrange the cords to make the cabinets reliable and tidy.
- 安装简便快捷，瞬间即可完成。  
Easy installation.
- 超大容量，最多可容纳七根电源线。(最大联线截面面积：RVV3 × 1.5mm<sup>2</sup>)  
Large capacity of maximum 7 cords. (max. cord cross section: RVV3 × 1.5mm<sup>2</sup>)



常见问题及处理方式 Frequently Asked Questions and Mode of Processing

常见问题 Frequently Asked Questions	处理方式 Mode of Processing
指示灯不亮 Indication light does not work	<ul style="list-style-type: none"> <li>● 带开关的产品开关是否打开，如果没打开，把开关闭合即可。</li> <li>● 指示灯不亮，请查看插孔是否有电，如果没电请检查PDU前端电源是否有电，接通电源即可。</li> <li>● Please check the products switch and turn it on.</li> <li>● Please check the outlets,if it is not electriferous,Please check the power in front of PDU and connect it.</li> </ul>
插孔没电 Outlets are not electriferous	<ul style="list-style-type: none"> <li>● 带开关的产品开关是否打开，如果没打开，把开关闭合即可。</li> <li>● 请查看插孔是否有电，如果没电请检查PDU前端电源是否有电，接通电源即可。</li> <li>● Please check the switch and turn it on.</li> <li>● Please check the outlets ,if it is not electriferous,Please check the power in front of PDU and connect it.</li> </ul>
* PDU空开跳闸 PDU air switch shut off	<ul style="list-style-type: none"> <li>● 请检查是否是过载使用或零火短路</li> <li>● Please check if overload using or short circuit.</li> </ul>
* 极性检测模块 指示灯亮 Pole inspection light comes on	<ul style="list-style-type: none"> <li>● 请检查PDU前端电源接地和零火倒置情况，是否有地线缺失或零火倒置现象。</li> <li>● Please check the power in front of PDU or L/N.</li> </ul>
* 防雷指示灯 不亮 Ligting protection does not work	<ul style="list-style-type: none"> <li>● 请检查插孔是否有电，如果有电说明防雷指示灯坏或者防雷元器件已经被击穿。</li> <li>● 如果插孔没电请检查PDU前端电源是否有电，接通电源即可。</li> <li>● Please check the outlets ,if it is electriferous, it show that the surge protection is wrong.</li> <li>● Please check the outlets,if it is not electriferous,Please check the power in front of PDU and connect it.</li> </ul>
* 数显电流表 不显示 LED does not display	<ul style="list-style-type: none"> <li>● 请检查插孔是否有电，如果有电说明数显电流表已经损坏。</li> <li>● 如果插孔没电请检查PDU前端电源是否有电，接通电源即可。</li> <li>● Please check the outlets ,if it is electriferous,it show the LED is wrong.</li> <li>● Please check the outlets ,if it is not electriferous,Please check the power in front of PDU and connect it.</li> </ul>
* 过载跳 Overloading protector switch off	<ul style="list-style-type: none"> <li>● 请检查是否是过载使用，如果是过载使用排除过载即可。</li> <li>● Please check the overload protection.</li> </ul>

**售后服务卡** Service Card

---

产品型号 \_\_\_\_\_ 购买日期 \_\_\_\_\_  
Product Type \_\_\_\_\_ Purchasing Date \_\_\_\_\_

购买地点 \_\_\_\_\_ 姓名 \_\_\_\_\_  
Purchasing Place \_\_\_\_\_ Name \_\_\_\_\_

联系电话 \_\_\_\_\_  
Contact Phone \_\_\_\_\_

联系地址 \_\_\_\_\_  
Contact Address \_\_\_\_\_

故障现象 \_\_\_\_\_  
Multifunction signs \_\_\_\_\_



**以下情况不属于质保范围：**

The following conditions beyond scope of the quality assurance:

1) 无法提供原始购买的有效凭证（发票或记录有购买日期、购买渠道公章的正规票据，或产品出厂日期标识）。

The original valid certificate can not be provided (such as the invoices, the formal receipts recorded with the purchase date and the official seal of the purchase channel or the mark of produce date).

2) 产品或部件超过相应保修期。

Product or parts beyond the date of guarantee.

3) 错误或不适当选择、使用、保管、维护、保养导致的故障或损坏，如：产品出现烧毁痕迹；元件缺失；连接线断裂；不当操作或非按产品合理预期用途使用损坏；不当插拔外接设备；不当搬运损坏；不当外力挤压；接触或暴露于不适当的温度、溶剂、酸碱、水浸或潮湿环境；虫噬鼠咬或异物侵入等导致的产品或部件碎裂、锈蚀、损坏等。

The damage or defect caused by select wrong or wrong use, keep, serve and maintenance etc. For example, there is evidence of firing, missing of components, break of connect cord, damage by use wrong or not accordance to potential use of product, incorrectly draw in/out, incorrectly remove, incorrectly extrusion, disclose under incorrect temperature, solvent, acid-alkalescence, submerge in water or under humidity environment, broken rusted of products or parts caused by bit by insect or mouse.

4) 未按包装、说明书等要求使用、维护、保养造成的损坏。

Those damages caused by the use and maintenance which are not implemented according to the requirement on the package and the instructional manual.

5 ) 产品或部件的原有识别信息被修改、变更或删除。

This original ID information on products or parts be removed, changed or replaced.

6 ) 因不可抗力或意外事件造成的故障或损坏。

This damage or fault caused by the major force or exceptional case.

7 ) 其他非因产品本身质量问题导致的故障或损坏。

This damage or fault caused by other problem rather than product's itself.



创造美好用电环境