

客服热线：400-830-3938 800-830-3938

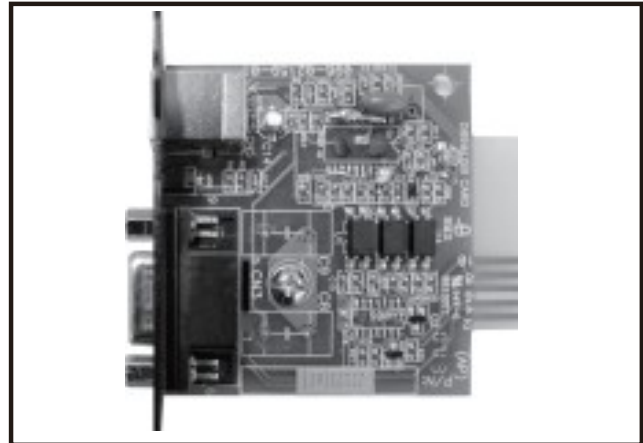
Mini USB+RS232

使用手册

USER MANUAL

 **SANTAK**

APPEARANCE



FEATURES



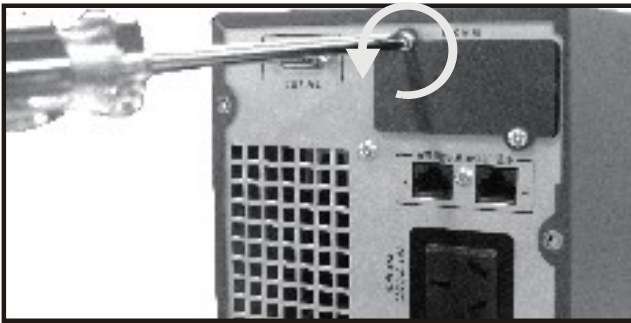
USB+RS232 card is a device for UPS monitoring, it supports two type port: USB(Universal Serial Bus) and RS232. It is very easy to install the card. User can insert the card into UPS slot, and monitoring UPS status with Winpower software.

COMPATIBILITY

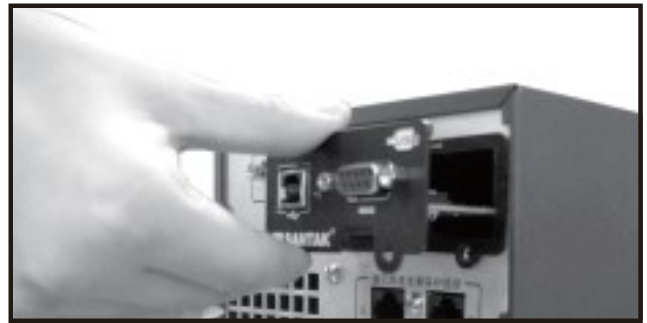
- ⦿ XP Series;
- ⦿ MP Series;
- ⦿ MT-Pro Series;
- ⦿ Castle Series;
- ⦿ Other UPS with short intelligent slot

HARDWARE INSTALLATION

1. Open the cover of the Intelligent Slot of the UPS. Please refer to the picture.



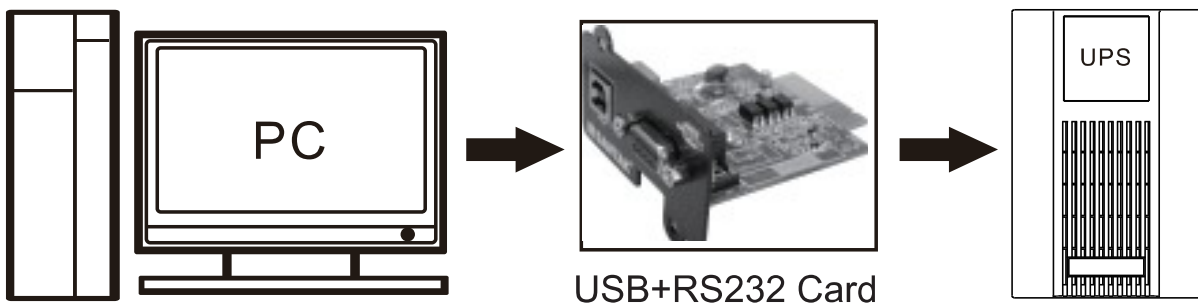
2. Insert the USB+RS232 card into the Intelligent Slot



3. After insert card properly, lock the screws of the USB+RS232 bracket.



4. With the USB or RS232 communication line connect to monitoring device.



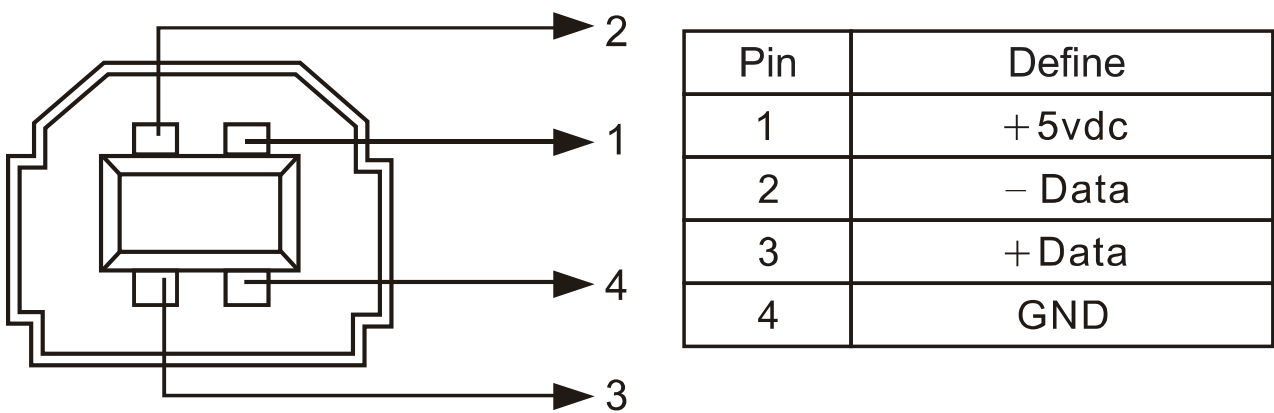
Please note: When user connects USB and RS232 port at the same time. RS232 signal of the card will be disabled, only USB signal enable.

5. For remote UPS monitoring, user can install Winpower on monitoring computer, and connect to UPS via RS232 Port or USB Port, then user can view and control UPS.

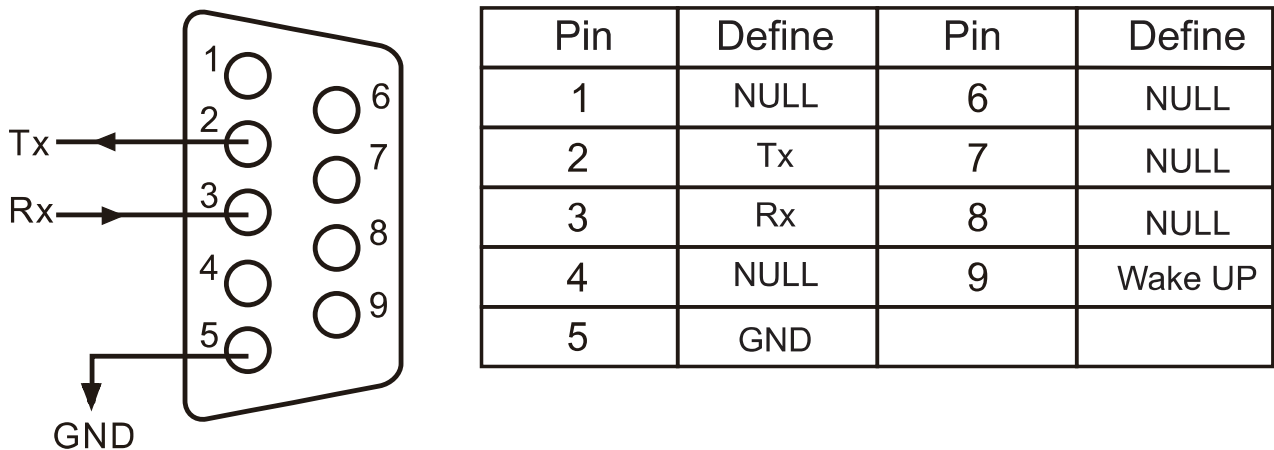
Please note: User can get Winpower software installation file from SANTAK website.

USB+RS232 CARD INTERFACE

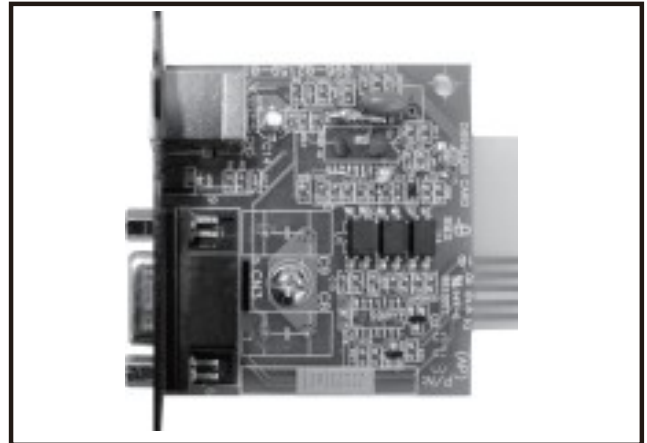
Ⓞ USB PIN Assignment



Ⓞ RS232 Port is the standard DB9 Port, about PIN Assignment please refer to the following table.



产品外观



产品功能



USB+RS232卡为UPS外围监控提供标准的USB(Universal Serial Bus)和RS232接口，方便用户选择任一种接口监控UPS的运行状态；并能够直接插入UPS的智能插槽，安装简便。在客户端可使用WinPower监控软件。

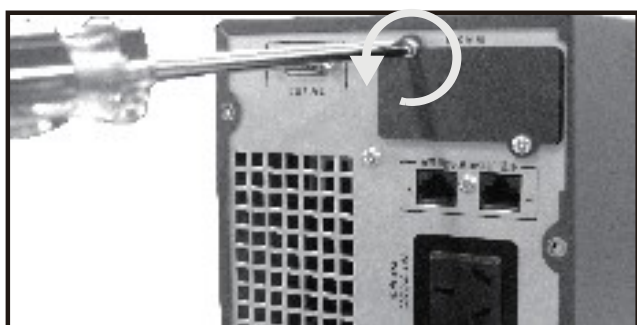
适用机种



- ⊙ XP系列；
- ⊙ MP系列；
- ⊙ MT-Pro系列；
- ⊙ Castle系列；
- ⊙ 其他具有短卡智能插槽的UPS机种

安装方式

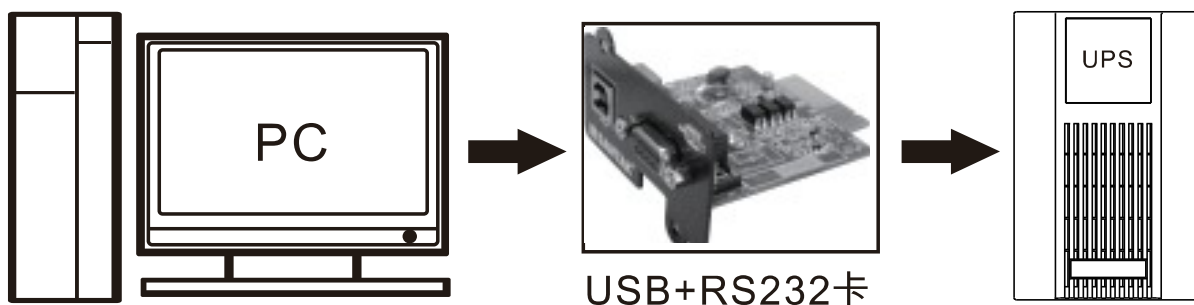
- 1.用十字螺丝刀取下UPS后盖板上“智能插槽 (Intelligent Slot) ”盖板。
- 2.沿着“智能插槽”(Intelligent slot)的缺口处直接推入USB+RS232卡。



- 3.直到USB+RS232卡接口处的金属板紧贴UPS箱体后面板平面即表示插卡到位,再用螺丝锁定卡。



- 4.用USB或232线与监控设备连接。



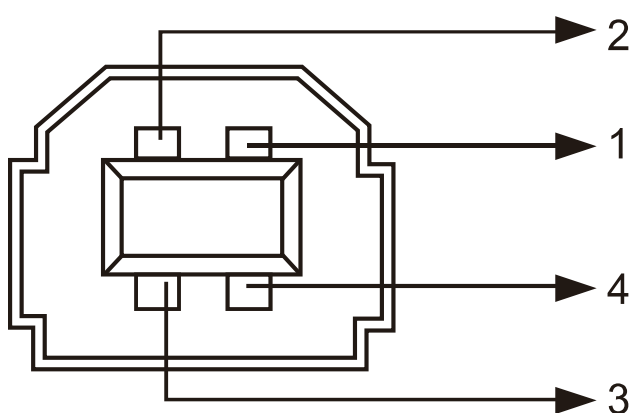
注：当用户同时用USB和RS232接口一起监控UPS时，RS232的接口信号将被屏蔽。

5.在监控设备上安装监控软件WinPower，用来显示和控制UPS的运行状态,实现UPS运行的远程监控。

注：监控软件WinPower及使用说明可从山特官方网站下载

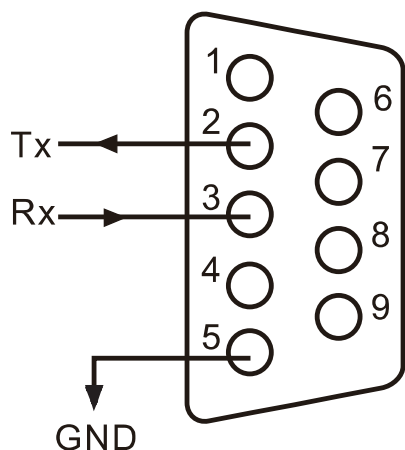
USB+RS232卡接口

④ USB接口脚位说明



引脚	说明
1	+5vdc
2	- Data
3	+ Data
4	GND

④ RS232接口为标准的DB9端子。各引脚定义如下：



引脚	说明	引脚	说明
1	空脚	6	空脚
2	发送	7	空脚
3	接收	8	空脚
4	空脚	9	唤醒
5	GND		

www.santak.com.cn

山特电子(深圳)有限公司

厂址: 深圳市宝安区72区宝石路8号 邮编: 518101

客服传真:(0755)27572730

客服中心 E-mail 地址: upsservice@eaton.com

客服热线: 400-830-3938/800-830-3938

www.eaton.com.cn

www.santak.com.cn