

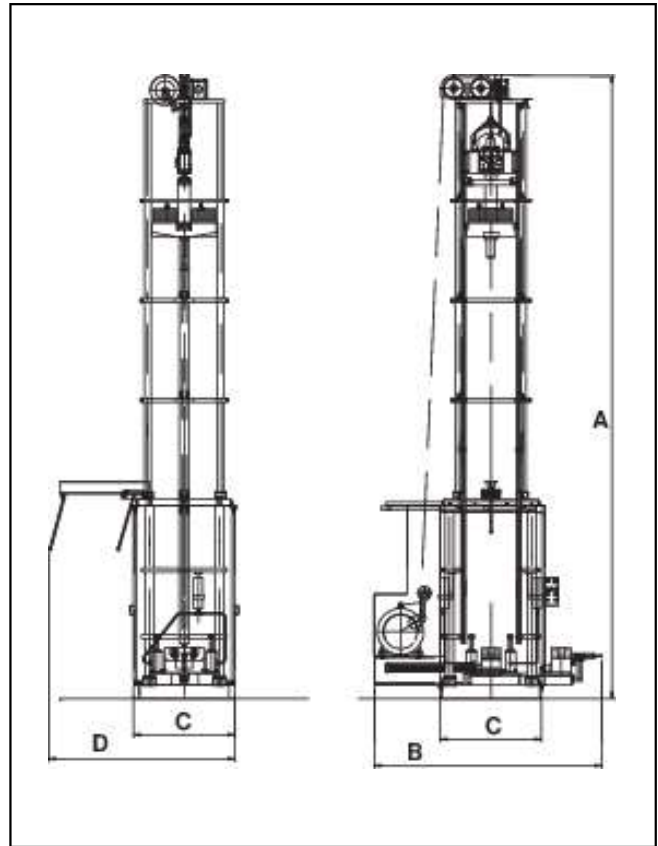
Product Information

ZwickRoell DWT60 / DWT80 / DWT100 high-energy drop weight testers

CTA: 11880 12112



ZwickRoell high energy drop weight testers DWT60 with 2,5 m drop height



Drawing: ZwickRoell high energy drop weight testers DWT60 with 5 m drop height

Range of application

Testing steel steel specimens from 10 to 50 mm as per ASTM E436-71T, API-RP 5 L3 and EN 10274: drop weight test

Advantages and features

- Modular "building block" system with six sizes and two drop-heights.
- Pneumatic specimen feed and fixture loading outside the test area guarantees fast, reliable feeding within the time required by the standard.
- Quick-change system for anvils.
- Flexure table with integrated centering unit. Different specimen thicknesses can be set quickly and easily.
- Electrical and mechanical test-area safeguards with safety circuit - the test does not begin until all safety switch contacts have been interrogated.
- Electronically monitored, pneumatically operated safety interlocking to guard the test area against accidents.

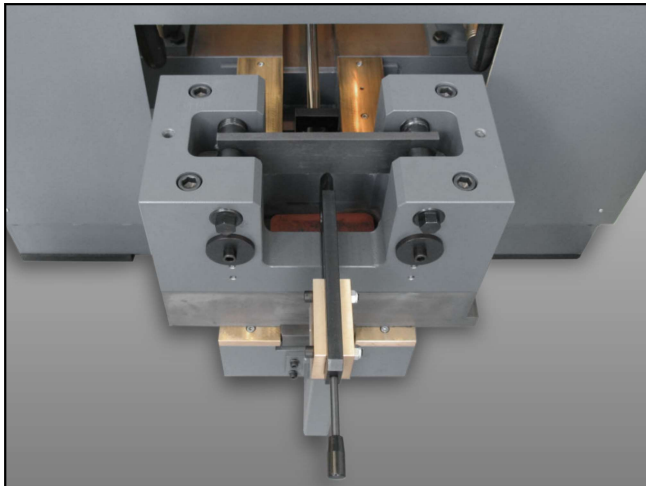
- Touchscreen operation with electronic display of drop height, drop energy, drop weight and impact velocity.
- The steplessly adjustable drop height is automatically achieved after input of drop weight and drop energy.
- The drop weight is divided into individual weights to allow adjustment of drop energy. The weight is measured electronically, eliminating input errors.
- Four high-performance reservoir-type shock absorbers for safe, reliable drop-weight arrest.
- Controlled low-temperature cooler for accurately maintained specimen temperature.
- Plan view of foundation included in delivery.
- The connecting plate, anchor bolts and grout included in delivery can be supplied in advance if required.

PI646 1118

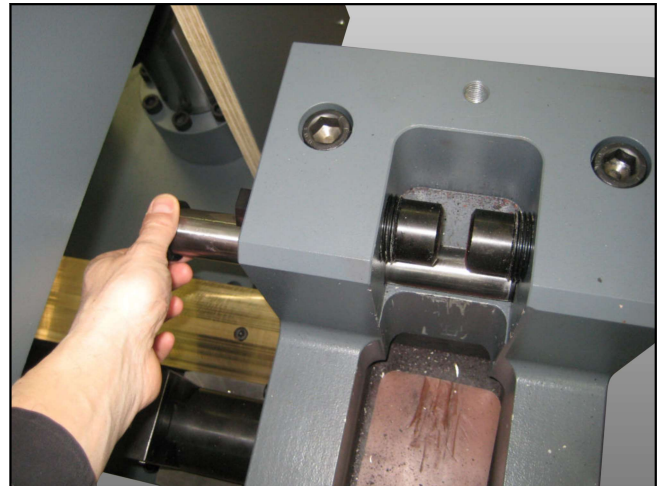
Product Information

ZwickRoell DWT60 / DWT80 / DWT100 high-energy drop weight testers

CTA: 59873 59876



Integrated centering device



Fast adjustment of thickness centering, easy exchange of supports

Model	DWT60-5	DWT80-5	DWT100-5	
Energy	60000 J	80000 J	100,000 J	
Item No.	003972	011273	011272	
Load frame				
Max. drop height	0.5 ... 5	0.5 ... 5	0.5 ... 5	m
Drop weight	1225	1630	2040	kg
Min. drop weight	approx. 831	831	856	kg
Additional single weights				
11.0 kg	6	2	-	pcs.
13.5 kg	-	2	-	pcs.
16.5 kg	-	-	2	pcs.
20.5 kg	-	2	-	pcs.
27.5 kg	12	26	42	pcs.
Total weight	9300	9800	12300	kg
Impact velocity	3.1 ... 9.9	3.1 ... 9.9	3.1 ... 9.9	m/s
Lift-unit speeds				
fast	18	18	18	m/min
slow	3	3	3	m/min
Dimensions				
A - overall height	8000	8000	8580	mm
B - width	3060	3060	3060	mm
C - width	1360	1300	1360	mm
D - width	2500	2500	2500	mm
Foundation dimensions	2550 x 2550	2550 x 2550	3050 x 3050	mm
Max. specimen dimensions				
Length	305	305	305	mm
Width	50	50	50	mm
Height	76	76	76	mm

Product Information

ZwickRoell DWT60 / DWT80 / DWT100 high-energy drop weight testers

Model	DWT60-5	DWT80-5	DWT100-5	
Energy	60000 J	80000 J	100,000 J	
Item No.	003972	011273	011272	
Low-temperature cooler				
Temperature	-80	-80	-80	°C
Max. temperature variation	±1	±1	± 1	°C
Number of specimens (number @ dimensions)	10 @ (10x77x305)	10 @ (10x77x305)	10 @ (10x77x305)	pcs.
Electrical supply data				
Electrical supply	3x 400	3x 400	3x 400	V, N/PE
Power consumption	11	11	11	kVA
Power supply frequency	50	50	50	Hz
Compressed air	8	8	8	bar
Air consumption	205	205	205	l/min
Ambient temperature	+10 ... +35	+10 ... +35	+10 ... +35	°C
Humidity	20 ... 90	20 ... 90	20 ... 90	%