

## Highlights

- Wide temperature range from -40 to 2250°C (-40 to 4082°F)
- Optical resolution up to 100:1
- Spot sizes down to 1.1 mm (0.04 in)
- Variable focus from 0.2 to 2.2 m (0.7 to 72 ft)
- Fast response time down to 20 ms
- Real time video monitoring and recording capability
- Through-the-lens sighting with video or laser aiming
- Digital RS485 communications (networkable)
- Real time ambient background radiation compensation
- Simultaneous analogue and digital outputs
- Programmable relay output
- Ambient temperatures up to 315°C (600°F) with ThermoJacket™
- Compact, rugged design, IP65 / NEMA-4 rated
- DataTemp® Multidrop software for remote configuration

## Electrical Specifications

<b>Outputs</b>	
mA	0/4-20 mA
Relay	48 V, 300 mA, response time < 2 ms
RS485	2-wire or 4-wire, networkable to 32 sensors
Video	analog, NTSC, 510x492 pixel, FOV 8°
<b>Inputs</b>	
	Emissivity setting, background radiation compensation, trigger, laser on/off (software enabled)
<b>Power Supply</b>	
	24 VDC ±20%, 500 mA

## General Specifications

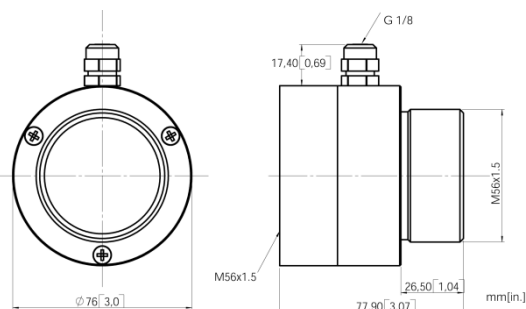
<b>Environmental Rating</b>	IP65 (IEC529), NEMA-4
<b>Ambient Temperature</b>	
without cooling	5 to 65°C / 41 to 149°F (video: 50°C/122°F)
with air cooling	10 to 120°C (50 to 250°F)
with water cooling	10 to 175°C (50 to 350°F)
with ThermoJacket	10 to 315°C (50 to 600°F)
<b>Storage Temperature</b>	-20 to 70°C (-4 to 158°F)
<b>Relative Humidity</b>	10 to 95%, non-condensing
<b>Shock</b>	IEC 68-2-27
<b>Vibration</b>	IEC 68-2-6
<b>Weight</b>	700 g (25 oz)

## Options

Options must be specified at time of order.

- Laser sighting (...L) or Video sighting (...V)
- Variable focus (...VF1)
- Water-Cooled Housing, incl. Air Purge Collar (...W)
- Manufacturer's Calibration Certificate based on certified probes traced on national standards, e.g. DAKKS (XXXMMCERT)

### Air Purge Collar (XXXMMACAP)



## Marathon Series

# MM LT, G7, G5, MT, 3M

## Datasheet



## Measurement Specifications

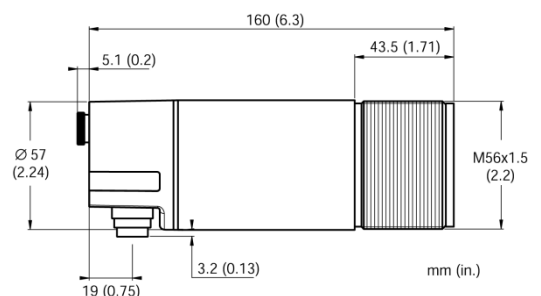
<b>Temperature Range</b>	
LT	-40 to 800°C (-40 to 1472°F)
G7	300 to 900°C (572 to 1652°F)
G5L	250 to 1650°C (482 to 3002°F)
G5H	450 to 2250°C (842 to 4082°F)
MT	250 to 1100°C (482 to 2012°F)
3M	100 to 600°C (212 to 1112°F)
<b>Spectral Response</b>	
LT	8 to 14 $\mu\text{m}$
G7	7.9 $\mu\text{m}$
G5	5 $\mu\text{m}$
MT	3.9 $\mu\text{m}$
3M	2.1 – 2.5 $\mu\text{m}$
<b>System Accuracy<sup>1</sup></b>	
LT	± 1% of reading or ± 1°C for $T_{\text{meas}} > 0^\circ\text{C}$ (32°F)
G5L, G5H, G7	± 1% of reading
MT	± 1% of reading for $T_{\text{meas}} > 350^\circ\text{C}$ (662°F) ± 2°C or ± 2% for $T_{\text{meas}} < 350^\circ\text{C}$ (662°F) <sup>2</sup>
3M	± 1% of reading for $T_{\text{meas}} > 150^\circ\text{C}$ (302°F) ± 5°C for $T_{\text{meas}} < 150^\circ\text{C}$ (302°F)
<b>Repeatability<sup>3</sup></b>	
	± 0.5% of reading or ± 0.5°C <sup>2</sup>
<b>Temperature Resolution (mA)</b>	
	0.1 K
<b>Response Time (95%)</b>	
LT, MT, G7	120 ms
G5	60 ms
3M	20 ms
<b>Emissivity</b>	
	0.100 to 1.150 in 0.001 increments
<b>Signal Processing</b>	
	Peak hold, valley hold, averaging, ambient background temperature compensation

<sup>1</sup> at 23°C ±5°C (73°F ±9°F), emissivity = 1.0, and time response 1.0 s

<sup>2</sup> whichever is greater

<sup>3</sup> at 23°C ±5°C (73°F ±9°F)

## Dimensions



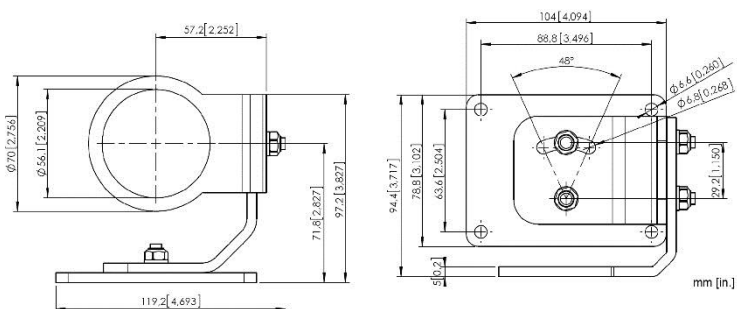
## Accessories

The models include through-the-lens sighting, mounting nut (stainless steel), fixed bracket (stainless steel), an operator's manual and DataTemp Multidrop Software.

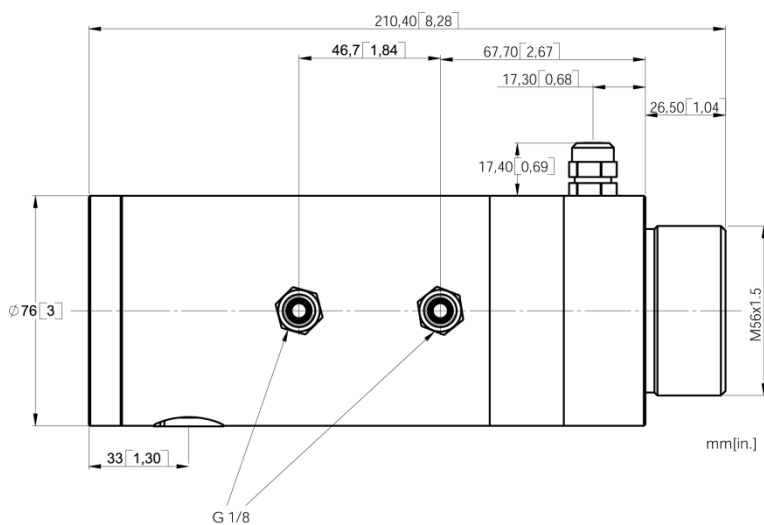
Additional accessories are available:

- Sight Tube made from stainless steel up to 800°C/1472°F (XXXST12)
- Sight Tube made from ceramic up to 1500°C/2732°F (XXXSTC12)
- Pipe Thread Adapter made from stainless steel (XXXMMACPA)
- Protective Window for LT, MT, G5 (XXXMMACTWL)
- USB/RS485 Converter (XXXUSB485)
- Industrial Power Supply 100/240 VAC to 24 VDC, 1.25 A (XXXSYSPS)
- Low Temp Cable (XXX2CLTCB...)
- High Temp Cable (XXX2CCB...)
- Terminal Block (XXXMATB)
- Terminal Block including 24 VDC power supply (110/230 VAC input) and IP65/NEMA-4 rated housing (RAYMAPB)
- ThermoJacket enclosure for ambient temperatures to 315°C/600°F (RAYTXJT4), see also ThermoJacket datasheet

### Adjustable Bracket (XXXMMACAB)



### Air/Water-Cooled Housing (...W)



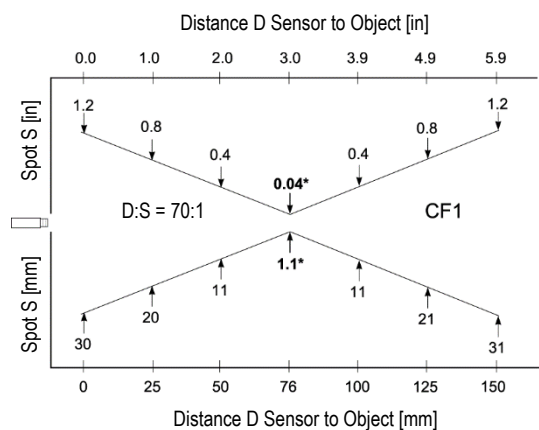
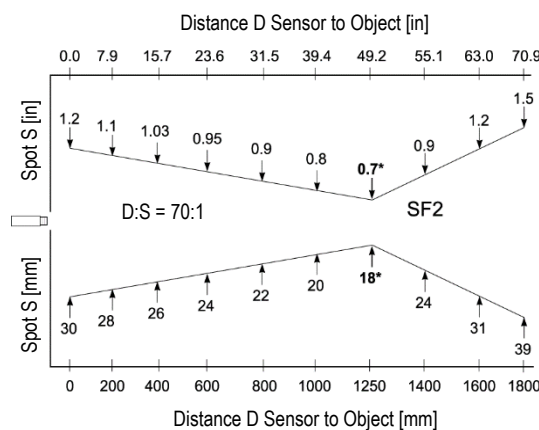
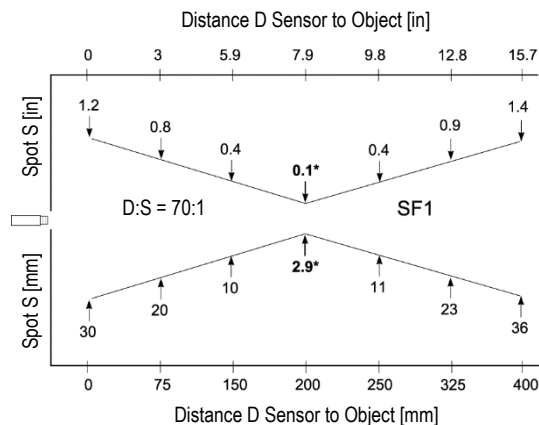
## Optical Specifications

**Optical Resolution** (90% energy, for the focus point)

LT, MT, G5, 3M	70:1
G7	100:1

**Optics**

LT, MT, G5, G7	SF1, SF2, SF3
LT, 3M	CF1



## Fluke Process Instruments

### Americas

Santa Cruz, CA USA  
Tel: +1 800 227 8074 (USA/Canada only)  
+1 831 458 3900  
solutions@flukeprocessinstruments.com

### EMEA

Berlin, Germany  
Tel: +49 30 4 78 00 80  
info@flukeprocessinstruments.de

### China

Beijing, China  
Tel: +86 10 6438 4691  
info@flukeprocessinstruments.cn

### Japan

Tokyo, Japan  
Tel: +81 03 6714 3114  
info@flukeprocessinstruments.jp

### Asia East and South

India Tel: +91 22 2920 7691  
Singapore Tel: +65 6799 5578  
sales.asia@flukeprocessinstruments.com



### Worldwide Service

Fluke Process Instruments offers services, including repair and calibration. For more information, contact your local office.

[www.flukeprocessinstruments.com](http://www.flukeprocessinstruments.com)

© 2016 Fluke Process Instruments  
Specifications subject to change without notice. 10/2016 – Rev. D2, 58203