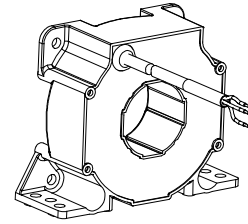


# Current Transducer LF 505-S/SP23

For the electronic measurement of currents: DC, AC, pulsed..., with galvanic separation between the primary circuit and the secondary circuit.



$I_{PN} = 500\text{ A}$



## Electrical data

$I_{PN}$	Primary nominal RMS current	500	A
$I_{PM}$	Primary current, measuring range	0 ... $\pm 1000$	A
$R_M$	Measuring resistance with $\pm 24\text{ V}$	$R_{M\min}$	$R_{M\max}$
		@ $\pm 500\text{ A}_{\max}$	0 114 $\Omega$
		@ $\pm 1000\text{ A}_{\max}$	0 9 $\Omega$
$I_{SN}$	Secondary nominal RMS current	100	mA
$N_P/N_S$	Turns ratio	1 : 5000	
$U_C$	Supply voltage ( $\pm 5\%$ )	$\pm 24$	V
$I_C$	Current consumption	$34 + I_S$	mA

## Accuracy - Dynamic performance data

$\epsilon_{\text{tot}}$	Total error @ $I_{PN}, T_A = 25\text{ }^\circ\text{C}$	$\pm 0.6$	%
$\epsilon_L$	Linearity error	< 0.1	%
$I_O$	Offset current @ $I_P = 0, T_A = 25\text{ }^\circ\text{C}$	Typ	Max
			$\pm 0.4$ mA
$I_{OT}$	Temperature variation of $I_O$	-40 $^\circ\text{C}$ ... +85 $^\circ\text{C}$	$\pm 0.3$ $\pm 0.8$ mA
$t_{D90}$	Delay time to 90 % of the final output value for $I_{PN}$ step <sup>1)</sup> < 1		$\mu\text{s}$
$BW$	Frequency bandwidth (-1 dB)	DC ... 100	kHz

## General data

$T_A$	Ambient operating temperature	-40 ... +85	$^\circ\text{C}$
$T_{Ast}$	Ambient storage temperature	-45 ... +90	$^\circ\text{C}$
$R_S$	Resistance of secondary winding @ $T_A = 85\text{ }^\circ\text{C}$	96	$\Omega$
$m$	Mass	230	g
	Standards	EN 50155: 2021	

**Note:** <sup>1)</sup> For a  $di/dt = 100\text{ A}/\mu\text{s}$ .

## Features

- Closed loop (compensated) current transducer using the Hall effect
- Insulating plastic case recognized according to UL 94-V0.

## Special features

- $I_{PM} = 0 \dots \pm 1000\text{ A}$
- $U_C = \pm 24 (\pm 5\%) \text{ V}$
- $T_A = -40\text{ }^\circ\text{C} \dots +85\text{ }^\circ\text{C}$
- Shield between primary and secondary
- Connection to secondary on screened cable 3 x 0.5mm<sup>2</sup>.

## Advantages

- Excellent accuracy
- Very good linearity
- Low temperature drift
- Optimized response time
- Wide frequency bandwidth
- No insertion losses.

## Applications

- Single or three phase inverters
- Propulsion and braking choppers
- Propulsion converters
- Auxiliary converters

- Battery chargers.

## Application domains

- Railway (fixed installations and onboard).

**Current Transducer LF 505-S/SP23**

**Insulation coordination**

$U_d$	RMS voltage for AC insulation test, 50 Hz, 1 mn	6 <sup>1)</sup>	kV
		0.5 <sup>2)</sup>	kV
$CTI$	Comparative tracking index (group IIIa)	175	

Notes: <sup>1)</sup> Between primary and secondary + shield, insulation voltage of the cable confirmed by Huber & Suhner  
<sup>2)</sup> Between secondary and shield.

**Safety**

This transducer must be used in limited-energy secondary circuits according to IEC 61010-1.



This transducer must be used in electric/electronic equipment with respect to applicable standards and safety requirements in accordance with the manufacturer's operating instructions.



Caution, risk of electrical shock

When operating the transducer, certain parts of the module can carry hazardous voltage (eg. primary busbar, power supply).

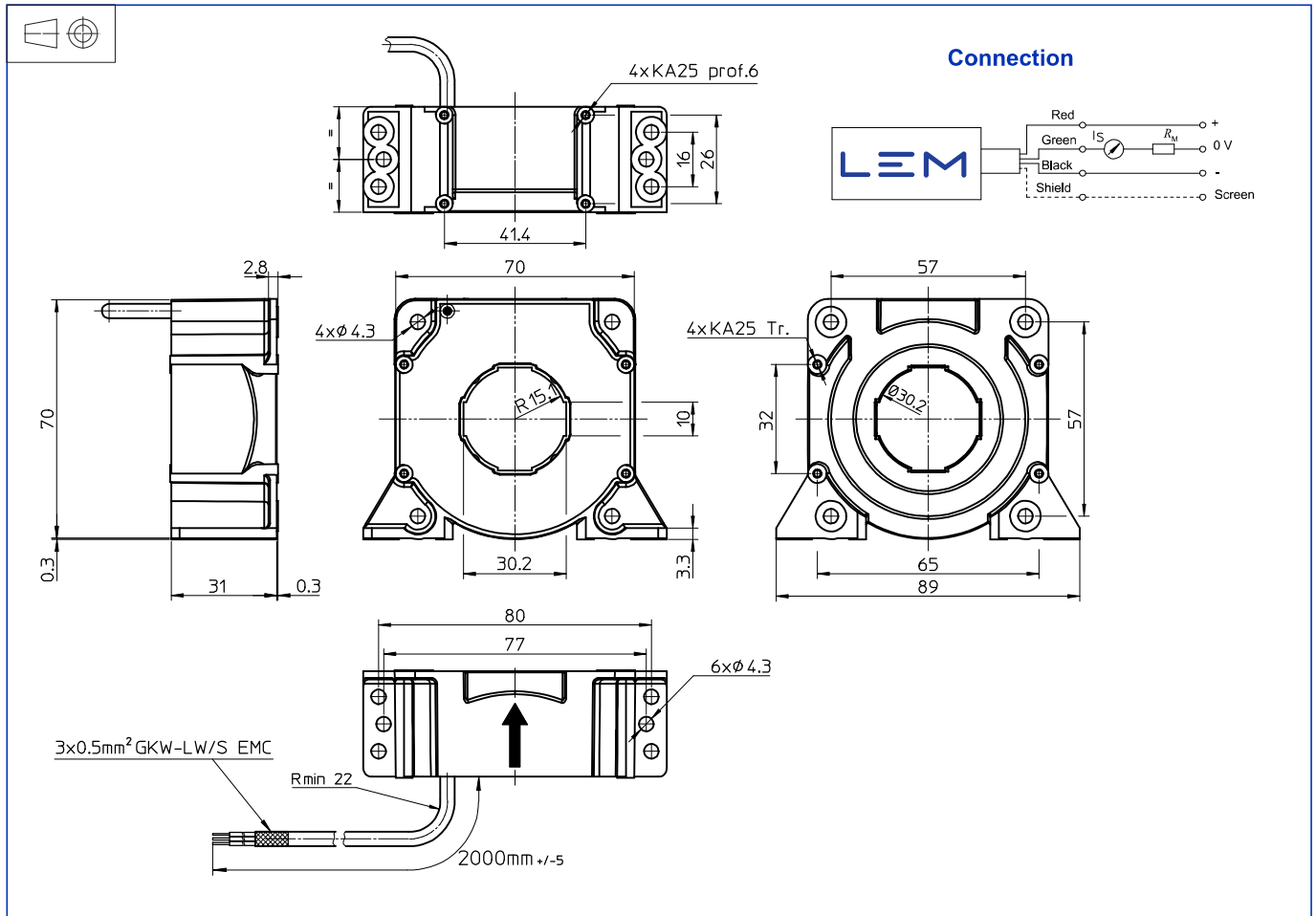
Ignoring this warning can lead to injury and/or cause serious damage.

This transducer is a build-in device, whose conducting parts must be inaccessible after installation.

A protective housing or additional shield could be used.

Main supply must be able to be disconnected.

## Dimensions LF 505-S/SP23 (in mm)



### Mechanical characteristics

- General tolerance  $\pm 0.5$  mm
- Transducer fastening
  - Vertical or horizontal position 4 or 6 holes  $\varnothing 4.3$  mm
  - 4 or 6 M4 steel screws
  - Recommended fastening torque or vertical position 3.2 N·m or 2.36 Lb.-Ft
  - 4 holes  $\varnothing 1.9$  mm, depth: 6 mm
  - 4 screws PTKA 25, length: 6 mm
  - Recommended fastening torque or horizontal position 0.7 N·m or 0.52 Lb.-Ft
  - 4 holes  $\varnothing 1.9$  mm crossing
  - 4 screws PTKA 25, length: 10 mm
  - Recommended fastening torque 0.75 N·m or 0.55 Lb.-Ft
- Primary through-hole  $\varnothing 30.2$  mm
- Connection of secondary Screened cable 3 x 0.5 mm<sup>2</sup>

### Remarks

- $I_s$  is positive when  $I_p$  flows in the direction of the arrow.
- Temperature of the primary conductor should not exceed 100 °C.
- Installation of the transducer must be done unless otherwise specified on the datasheet, according to LEM Transducer Generic Mounting Rules. Please refer to LEM document N°ANE120504 available on our Web site: <https://www.lem.com/en/file/3137/download/>.
- Dynamic performances ( $di/dt$  and delay time) are best with a single bar completely filling the primary hole.