

You have selected a reliable, high-quality dispensing system from Nordson EFD, the world leader in fluid dispensing. The 736HPA-NV valve was designed specifically for industrial dispensing and will provide you with years of trouble-free, productive service.

This manual will help you maximize the usefulness of your 736HPA-NV valve.

Please spend a few minutes to become familiar with the controls and features. Follow our recommended testing procedures. Review the helpful information we have included, which is based on more than 50 years of industrial dispensing experience.

Most questions you will have are answered in this manual. However, if you need assistance, please do not hesitate to contact EFD or your authorized EFD distributor. Detailed contact information is provided on the last page of this document.

The Nordson EFD Pledge

Thank You!

You have just purchased the world's finest precision dispensing equipment.

I want you to know that all of us at Nordson EFD value your business and will do everything in our power to make you a satisfied customer.

If at any time you are not fully satisfied with our equipment or the support provided by your Nordson EFD Product Application Specialist, please contact me personally at 800.556.3484 (US), 401.431.7000 (outside US), or Jamie.Clark@nordsonefd.com.

I guarantee that we will resolve any problems to your satisfaction.

Thanks again for choosing Nordson EFD.

Jamie
Jamie Clark, Vice President

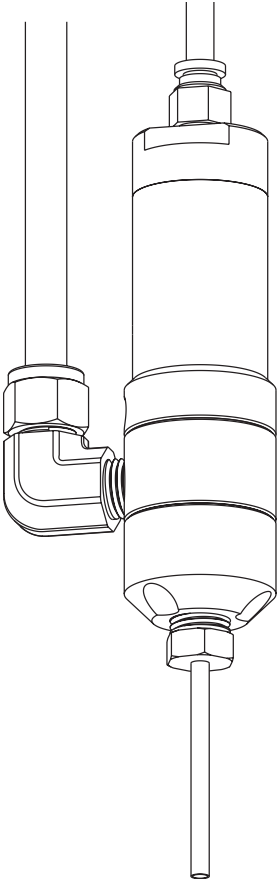
Contents

- Contents 3
- Introduction 3
- How the Valve Operates..... 4
- Valve Stroke Adjustment..... 4
- How the Valve is Controlled 5
- Specifications..... 6
- Operating Features..... 6
- Installation 7
- Service..... 8
- Valve Part Numbers..... 8
- Accessories 8
- Replacement Parts..... 8
- Troubleshooting 9

Introduction

This manual provides specifications, operating, installation, and troubleshooting information for the 736HPA-NV high pressure dispense valve.

The 736HPA-NV is a normally closed, air-actuated, balanced spool-type valve designed to operate at fluid pressures up to 172 bar (2500 psi). Ideal for consistent dispensing of industrial sealants and greases, the 736HPA-NV valve is simple to use and will operate many millions of cycles without wear or leakage.



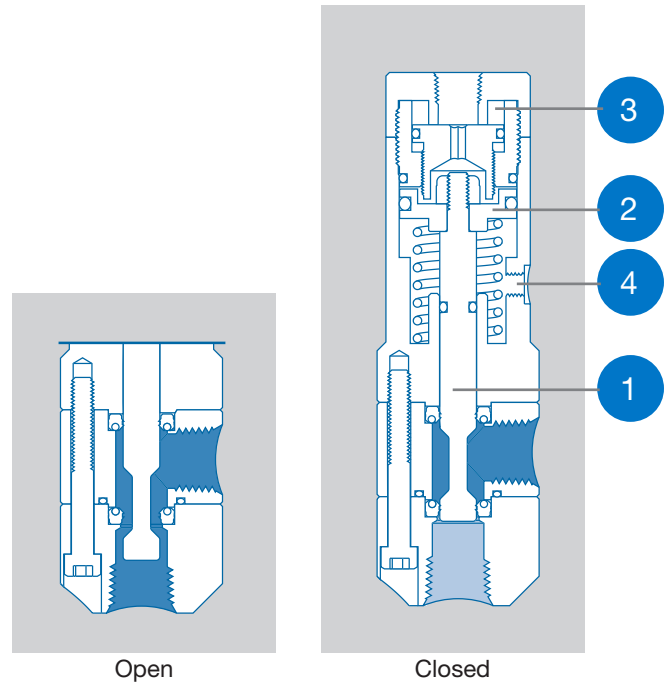
How the Valve Operates

When air pressure at 4.8 bar (70 psi) is applied, the piston shifts the shaft **1** to the open position, allowing fluid to flow. At the end of the cycle, spring force on the piston **2** shifts the shaft to the closed position, stopping fluid flow. During the closing action, the 736HPA-NV valve provides snuff-back of fluid for clean cutoff.

The stroke adjustment **3** can be used to regulate the snuff-back to an amount appropriate for the fluid being dispensed. Stroke adjustment can also be used to reduce fluid surge when the valve opens to ensure consistent bead widths and dot profiles. Refer to “Valve Stroke Adjustment” below for instructions.

When dispensing very thick fluids at high cycle rates, the double-acting feature ensures rapid closure. A double-actuating air input **4** is provided on the side of the air cylinder to allow double-acting operation using air pressure to both open and close the valve.

The amount of fluid dispensed is determined by valve open-time, fluid pressure, dispensing tip size, and fluid viscosity.



Valve Stroke Adjustment

The stroke is adjusted by moving the stroke limit stop. You will need a 5/64" hex wrench to adjust the valve stroke.

1. To access the stop, first remove the air input hose from the push-in air coupling by pushing down on the release ring while pulling up on the tubing.
2. Insert a 5/64" hex wrench through the air coupling and engage the stroke limit stop.
3. Adjust the stop toward or away from the piston to vary the stroke:
 - To decrease the amount of opening surge and closing snuff-back, extend the limit stop by turning the wrench clockwise.
 - To increase the amount of surge and snuff-back, retract the limit stop by turning the wrench counterclockwise.

NOTE: Adjusting the stroke does not affect the flow rate.

4. Reinstall the air input hose by pushing the hose into the coupling.

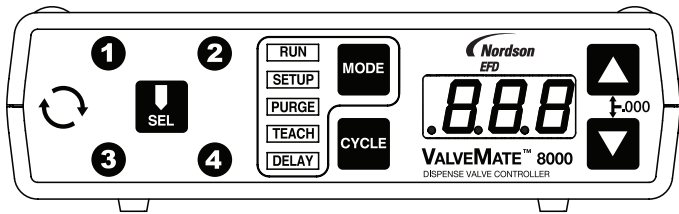
NOTE: For striping applications, fluid surge can be reduced further by lowering the valve operating air pressure down to, but not below, 2.7 bar (40 psi).

How the Valve is Controlled

The ValveMate 8000 provides easy adjustment of valve output for maximum end-user convenience and efficiency. Valve open time is the primary control of deposit size. The 8000 puts push-button adjustment of valve open time where it needs to be — at the valve.

The ValveMate 8000 features micro-processor circuitry for extremely precise control of deposit size. Feed lines can be purged, initial deposit sizes set, and adjustments made quickly and easily at the dispensing station, without stopping the production line.

NOTE: For consistent dispense valve operation and easy adjustment of valve output, Nordson EFD recommends using the ValveMate 8000 controller for all automatic, semi-automatic, and benchtop applications. Nordson EFD automated dispensing systems integrate with ValveMate controllers for operating all pneumatic and BackPack™ dispense valves.



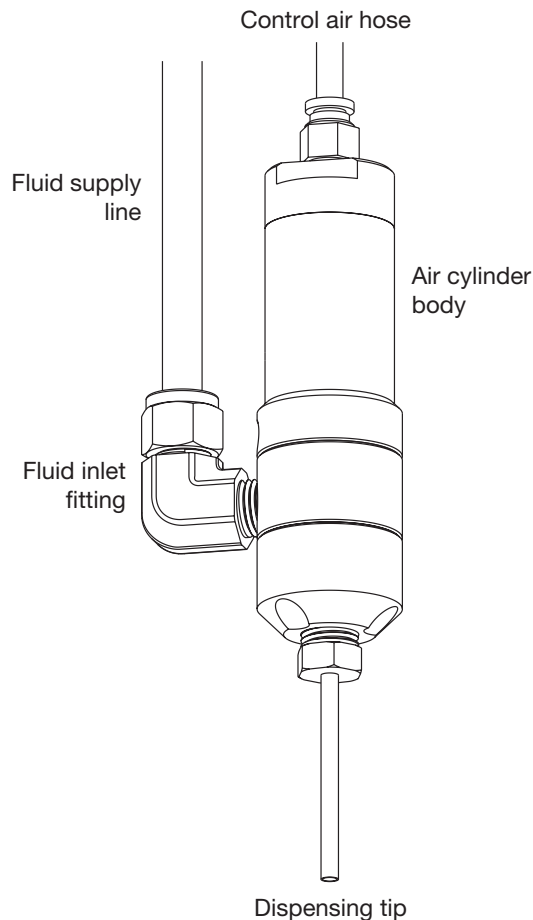
Important Note: Order your 1-, 2-, 3- or 4-solenoid manifold block assembly separately. Consult EFD for recommendations.

Specifications

NOTE: Specifications and technical details are subject to change without prior notification.

Item	Specification
Size	134.4 mm length x 35.1 mm diameter (5.29" x 1.38")
Weight	544.0 g (19.2 oz)
Actuating air pressure required	4.8–6.2 bar (70–90 psi)
Maximum fluid pressure	172 bar (2500 psi)
Fluid inlet	1/4 NPT female
Fluid outlet	1/4 NPT female
Mounting	5/16-24 UNF tapped hole or adjustable mounting block
Cycle rate	Exceeds 400 per minute
Air cylinder body	303 stainless steel
Fluid body	303 stainless steel
Outlet cap	303 stainless steel
Piston	Hard-coated anodized aluminum
Spool (piston shaft)	Hard-chrome coated stainless
Spool seals	Polyester elastomer (Hytre [®]) (Viton [®] optional)
Maximum operating temperature	43° C (110° F)

Operating Features



Installation

Prior to installing this valve, read the associated reservoir and valve controller operating instructions to become familiar with the operation of all components of the dispensing system.

⚠ CAUTION

Do not thread fluid inlet fittings too far into the valve. Doing so can obstruct the piston shaft, causing leakage, poor dispensing performance, and damage to the valve.

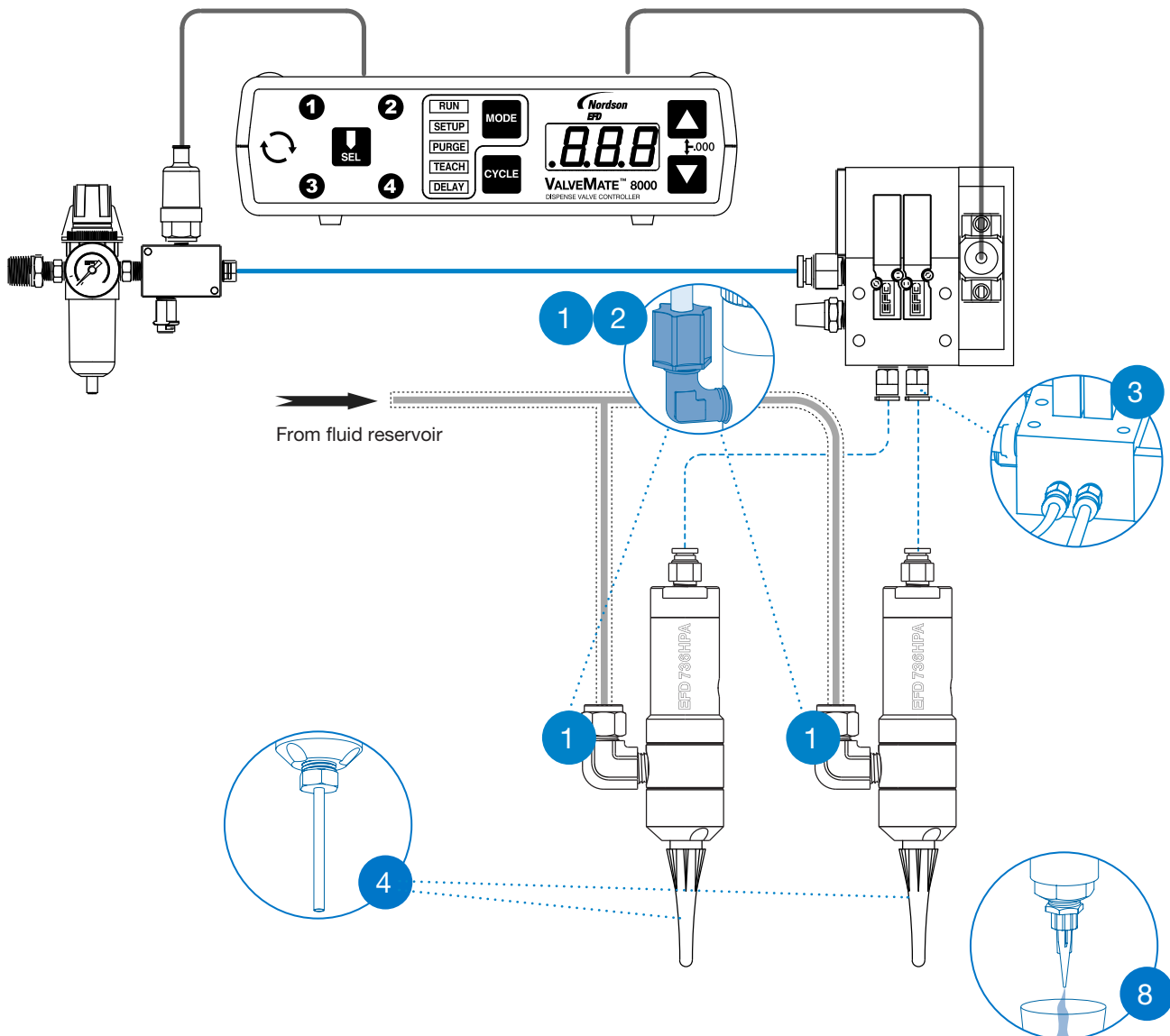
1. Thread the fluid inlet fitting into the fluid inlet hole.

NOTE: The fluid inlet fitting and hose must be obtained from a high pressure

2. Connect the fluid feed hose to the fitting.
3. Connect the valve control air hose to the ValveMate 8000 controller solenoid pack used to control valve open time.
4. Install an appropriate threaded nozzle on the valve output or use a dispensing tip adapter (#7016941) with EFD SafetyLok™ dispensing tips.
5. Ensure that all fluid and air connections are tight.

6. Ensure that the valve operating pressure is set at 4.8 bar (70 psi).
7. Ensure that the delivery pump pressure does not exceed 172 bar (2500 psi).
8. Place a cup under the dispensing tip or nozzle and actuate the valve until fluid flows steady.
9. Set the desired flow rate by adjusting the fluid pressure or changing the outlet tip size.

NOTE: Set the desired deposit size by adjusting the valve open time. Refer to the valve controller operating manual.



Service

Refer to the **736HPA-NV Service & Replacement Parts Manual** for service procedures, including valve disassembly / reassembly.

Valve Part Numbers

Part #	Description
7013449	736HPA-NV valve, chromium-plated spool
7028951	736HPA-NV valve, titanium nitride-coated spool

Accessories

1/4 NPT Metal Nozzles

Stainless steel, 38.1 mm (1.5") long. ID Size

Part #	Gauge	mm	(in.)
7014850	7	3.81	(0.150)
7014851	8	3.43	(0.135)
7014848	10	2.69	(0.106)
7014842	12	2.16	(0.085)
7014844	14	1.60	(0.063)
7014846	16	1.20	(0.047)

Polyethylene Nozzles

Plastic nozzles with 1/4 NPT thread. Nozzles may be cut or shaped as required. Supplied (10) nozzles per package.

Part #	Size
7018555	63.5 mm long x 3.2 mm opening (2 1/2" x 1/8")
7018557	63.5 mm long x 1.6 mm opening (2 1/2" x 1/16")
7018559	101.6 mm long x 1.6 mm opening (4" x 1/16")
7018561	101.6 mm long x 0.8 mm opening (4" x 1/32")

Replacement Parts

Refer to the **736HPA-NV Service & Replacement Parts Manual** for kits that include replacement parts.

Accessories (continued)

Dispensing Tip Adapter

Accepts all EFD dispensing tips.

Part #	Description
7021197	Adapter for use with metal tips
7021186	Adapter for use with disposable plastic tips

Universal Valve Mount

Use with all EFD valves for easy valve mounting.

Part #	Description
7020507	Universal valve mount

Double-Acting Air Closure Kit

The 735AC-KIT (7021143) is used in applications dispensing very thick fluids at high cycle rates. The air closure assists the spring to provide a quick, clean cut-off at the end of the dispense cycle.

Part #	Description
7021143	Air closure kit

Troubleshooting

No fluid flow

- If the valve operating pressure is too low, the valve will not open. Increase air pressure to 4.8 bar (70 psi) for timed shots and to 2.7 bar (40 psi) minimum for stripes.
- The fluid pressure may not be high enough. Increase pressure.
- The dispensing tip may be clogged. Replace tip.
- Fluid may have solidified in the fluid body. Clean the fluid body.

Fluid drools after the valve closes, eventually stopping

- This is caused by air trapped in the outlet section of the fluid body or if the fluid has entrapped air. The air will expand after the valve closes, causing extrusion until the air reaches atmospheric pressure. Purge the valve by dispensing at a steady flow until air is removed.
- If the fluid has entrapped air, degas it before dispensing.

Fluid drips at a steady rate after the valve closes

- A steady drip indicates failure of the seal due to particle build-up or wear. Replace the seal.
- Fluid leakage can also occur when a fluid inlet fitting is threaded too far into the valve, thus obstructing the piston shaft. Ensure that the fluid inlet fitting is properly installed.

Valve responds slowly when opening and closing

- Valve response is related to control air line length and size. EFD valves are supplied with 5 feet of 4 mm (5/32") ID tubing attached. Any additional length or size change will affect response time. Ensure that the length and size have not been changed.

Fluid flows out above upper seal

- Fluid flowing out above the upper seal indicates a worn upper seal. Replace the seal.

Inconsistent deposits

- Inconsistent deposits can result if the air pressure controlling the valve and / or fluid pressure is fluctuating, or if the valve operating pressure is less than 4.8 bar (70 psi). Check air pressures and the valve operating pressure.
- The time the valve is open must be consistent. Ensure that the valve controller is providing a consistent output.

NORDSON EFD ONE YEAR LIMITED WARRANTY

This Nordson EFD product is warranted for one year from the date of purchase to be free from defects in material and workmanship (but not against damage caused by misuse, abrasion, corrosion, negligence, accident, faulty installation, or by dispensing material incompatible with equipment) when the equipment is installed and operated in accordance with factory recommendations and instructions.

Nordson EFD will repair or replace free of charge any defective part upon authorized return of the part prepaid to our factory during the warranty period. The only exceptions are those parts which normally wear and must be replaced routinely, such as, but not limited to, valve diaphragms, seals, valve heads, needles, and nozzles.

In no event shall any liability or obligation of Nordson EFD arising from this warranty exceed the purchase price of the equipment.

Before operation, the user shall determine the suitability of this product for its intended use, and the user assumes all risk and liability whatsoever in connection therewith. Nordson EFD makes no warranty of merchantability or fitness for a particular purpose. In no event shall Nordson EFD be liable for incidental or consequential damages.

This warranty is valid only when oil-free, clean, dry, filtered air is used, where applicable.



For Nordson EFD sales and service in over 40 countries, contact Nordson EFD or go to www.nordsonefd.com.

Global

800-556-3484; +1-401-431-7000
info@nordsonefd.com

Europe

00800 7001 7001
infoefd.europe@nordsonefd.com

Asia

China: +86 (21) 3866 9006; china@nordsonefd.com
India: +91 80 4021 3600; india@nordsonefd.com
Japan: +81 03 5762 2760; japan@nordsonefd.com
Korea: +82-31-736-8321; korea@nordsonefd.com
SEAsia: +65 6796 9522; sin-mal@nordsonefd.com

Viton and Hytrel are registered trademarks of E.I. DuPont.
The Wave Design is a trademark of Nordson Corporation.
©2022 Nordson Corporation 7026829 v102722