

Concert™ Series

Flow Controllers

Economical, easy-to-use monitoring and closed-loop control of material delivery improve production efficiency and product quality.



Concert basic flow controller



Concert expanded flow controller



Optix interface on-screen graphing

Variation management is the ability to measure, understand and improve material delivery and dispensing during all phases of production. This allows manufacturers to reduce waste, improve product quality and enhance production efficiency in numerous markets and applications.

Concert series flow controllers enable flow monitoring and closed-loop control for the installed base of material delivery systems when used with a Nordson TruFlow™ meter, divider or applicator. When operated in control mode, the resulting system measures actual material delivery, compares to the requirement and continuously adjusts melter pump output in real-time, vastly improving accuracy of material delivery, especially during production start.

The Optix™ user interface offers a color LCD touch screen for intuitive control and visibility of system status at a glance. Additionally, the Optix interface provides data logging and on-screen graphing capabilities.

Concert flow controllers also support heating channels associated with additional TruFlow equipment and hoses.

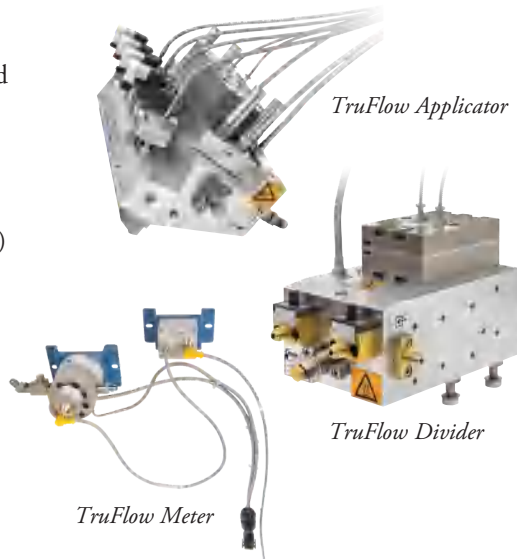
Benefits

- Accurately monitor or control one or two dispense circuits in real-time with basic controller and up to four with expanded controller
- Intuitive touch-screen interface simplifies set-up and operation
- Data logging and graphing improve operational control
- Easily integrates with existing systems

Concert™ Series Flow Controllers

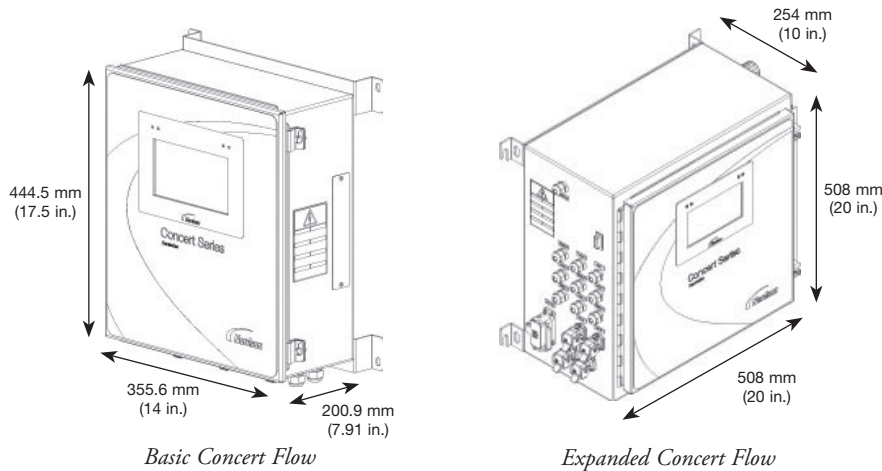
Specifications

Control Modes	Manual, Pressure, Gear to Line, Flow w/Pressure Build
Pressure Transducer Options	0-10VDC, 4-20mA
Line Speed Reference Inputs	1
Line Speed Reference Options	0-10VDC, 4-20mA
Operating Temperature Range	40 to 204°C (100 to 400°F)
Ambient Temperature Range	0 to 40°C (32 to 104°F)
Temperature Control Stability	±1°C (2°F)
Temperature Control Sensor Options	Nickel 120 Ohm RTD, Platinum 100 Ohm RTD
Input/Output Capability	4 inputs/3 outputs
Ingress Protection Rating	IP33



	Basic	Expanded
Electrical Requirements	200/240 VAC 50/60 Hz single-phase, 240 VAC 50/60 Hz, 3-phase	240 VAC 3-phase Delta, 400/230 VAC 3-phase Wye
Number of Flow Channels	Up to 2	Up to 4
Pressure Transducer Inputs	Up to 2	Up to 4
Maximum Heating Capacity		
Channel 1	1200 watts per channel/ 1000 watts per zone	1400 watts per channel/ 1000 watts per zone
Channel 2	1200 watts per channel/ 1000 watts per zone	2000 watts per channel/ 1000 watts per zone
Channel 3	2800 watts per channel/ 1800 or 1000 watts per zone	4000 watts per channel/ 2000 watts per zone
Channel 4-5	N/A	4000 watts per channel/ 2000 watts per zone
Weight (approx.)	13.6 kg (30 lbs)	26 kg (80 lbs)

Dimensions



For more information, speak with your Nordson representative or contact your Nordson regional office.

United States

Duluth, Georgia
(800) 683-2314 Phone
(866) 667-3329 Fax

Europe

Lüneburg, Germany
(49) 4131-894-0 Phone
(49) 4131-894-149 Fax

Japan

Tokyo, Japan
(81) 3-5762-2700 Phone
(81) 3-5762-2701 Fax

Asia/Australia/ Latin America

Amherst, Ohio
(440) 985-4496 Phone
(440) 985-1096 Fax

Find us on:



NWL-14-5864
Issued 8/14
© 2013, 2014 Nordson Corporation
All Rights Reserved.
Printed in U.S.A.
Nordson reserves the right to make design changes between printings.