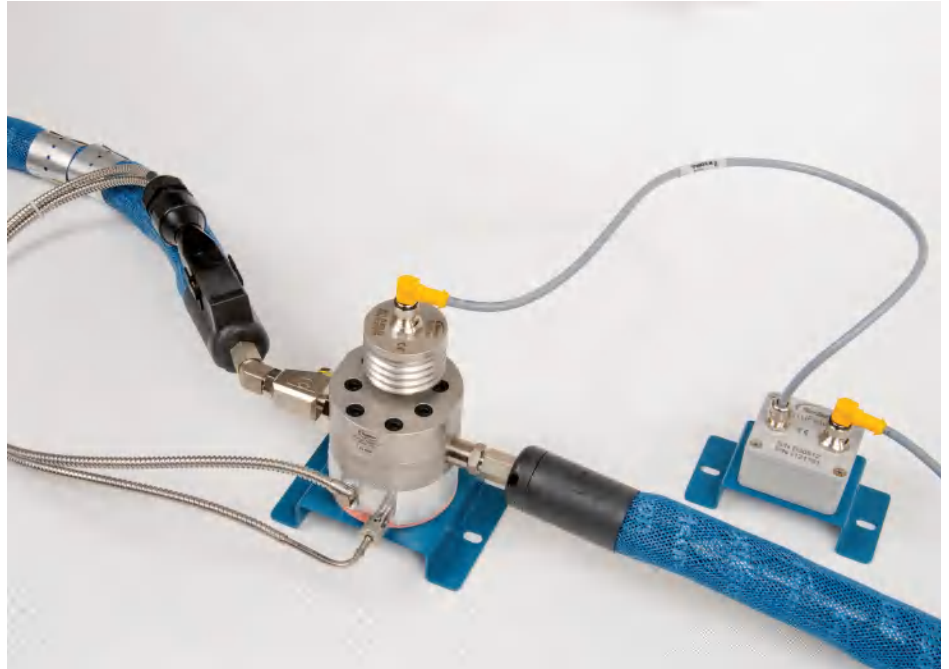


TruFlow™ Meter

Simple, cost-effective material monitoring and control improve production efficiency and product quality.



Variation management is the ability to **measure, understand** and **improve** material delivery and dispensing during all phases of production. This allows manufacturers to reduce waste, improve product quality and enhance production efficiency, particularly beneficial in nonwovens disposable hygiene product manufacturing.

The Nordson TruFlow meter is the first step in variation management. The meter enables monitoring and control of material delivery and can be used:

- individually for flow measurement
- with a Nordson Concert™ series flow controller for flow measurement and control
- in conjunction with Nordson melter-integrated controls such as AltaBlue™ Touch and VersaBlue® Plus melters for flow measurement and control

This simple, positive-displacement meter accurately and consistently measures actual material flow through the system at a flow range of 10-500 cc/minute. And, the TruFlow meter accommodates a wide range of material viscosities and temperatures.

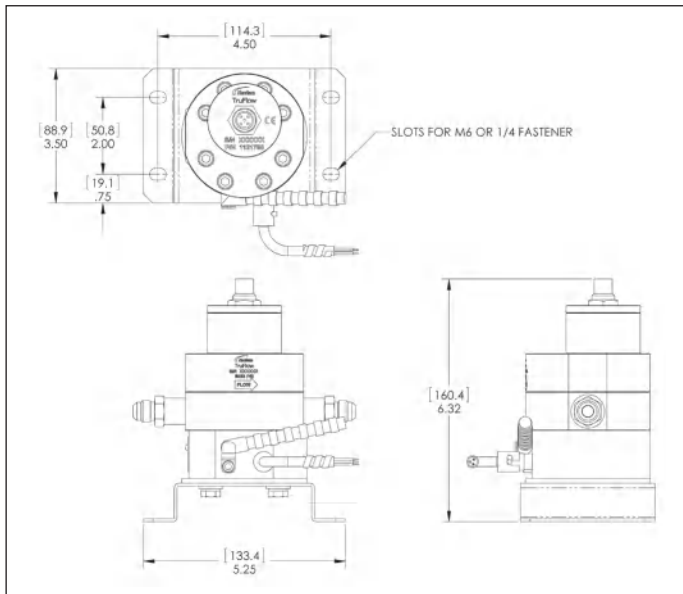
The meter's durable design and construction make it easy to install and require minimal maintenance. And, the compact size and simple connections support flexible placement and use in most production environments. Versatile TruFlow meters can be included as part of a new system install or retrofit to existing production lines.

TruFlow™ Meter

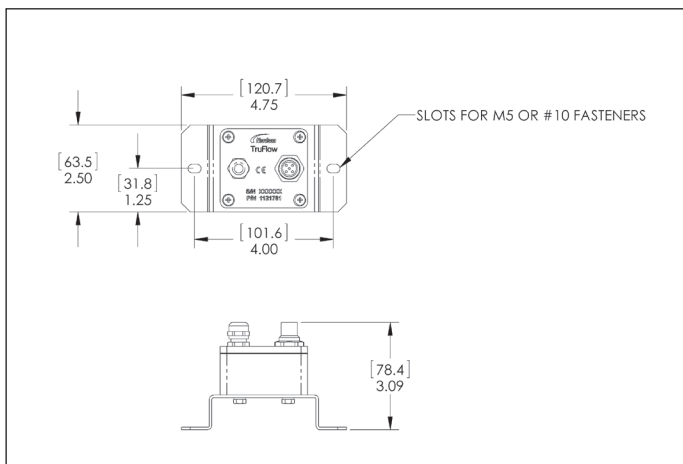
Specifications

Number of Streams	One in, one out
Flow Range	10 to 500 cc/min.
Displacement	4.2 cc/rev
Viscosity Range	100 to 50,000 cps
Max. Operating Pressure	414 bar (6000 psi)
Operating Temperature Range	0° to 204° C (32° to 400° F)
Ambient Temperature Range	0° to 80° C (32° to 175° F)
Weight	
Meter Assembly (empty)	3.08 kg (6.8 lb)
Transmitter	0.45 kg (1.0 lb)
Electrical	
Supply Voltage & Current	5-26 VDC @ 30 mA (typical)
Frequency Output	5 VDC square wave (TTL and CMOS compatible)

Dimensions (mm and inches)



Flow Meter



Transmitter

For more information, speak with your Nordson representative or contact your Nordson regional office.

United States

Duluth, Georgia
(800) 683-2314 Phone
(866) 667-3329 Fax

Europe

Luneburg, Germany
(49) 4131-894-0 Phone
(49) 4131-894-149 Fax

Japan

Tokyo, Japan
(81) 3-5762-2700 Phone
(81) 3-5762-2701 Fax

Asia/Australia/

Latin America

Amherst, Ohio
(440) 985-4496 Phone
(440) 985-1096 Fax

Find us on:

