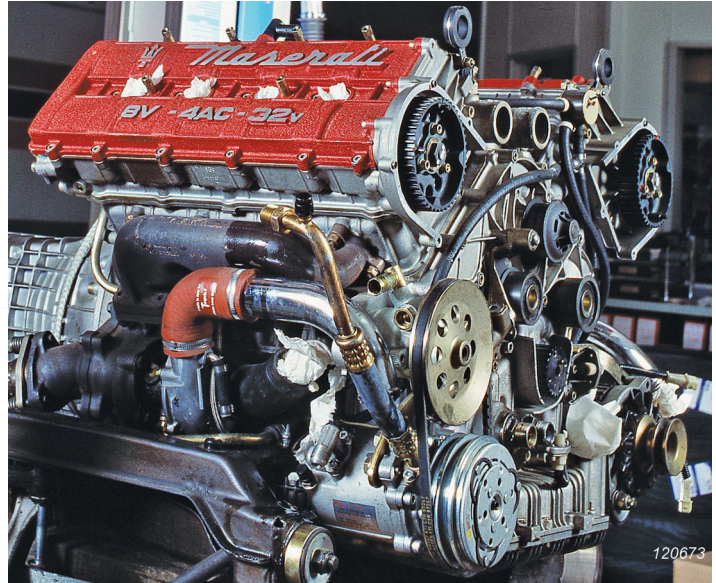


## Triaxial CCLD Accelerometer Types 4527, 4527-001 and 4527-003

High-temperature, Multi-purpose Accelerometers

*Triaxial CCLD\* Accelerometer Types 4527, 4527-001 and 4527-003 are designed to operate continuously at 180 °C (356 °F) in order to meet the toughest environmental requirements. Their wide frequency range (0.3 Hz to 10 kHz) and light weight make them suitable for use as general-purpose accelerometers.*

*The size and the possibility of a single-axis power supply make Types 4527, 4527-001 and 4527-003 the right choice for your measurements, even for single- or bi-axial measurements. These accelerometers simplify testing by meeting most needs of a modern test lab with one sensor.*



### Uses and Features

#### Uses

- Measurements on most engine locations, power train and exhaust
- Triaxial measurements in confined spaces
- Environmental stress screening
- Vibration measurements on gas turbine auxiliary equipment
- Multi-purpose – will always be required for vibration measurements
- Modal and on-road testing
- Structural testing

#### Features

- Continuous operation at 180 °C
- Single-axis supply can measure single- or bi-axially in order to save channels
- 0.3 Hz to 10 kHz frequency range on all three axes
- Low noise



120360/1

\* CCLD: Constant current line drive, also known as DeltaTron® (ICP and IEPE compatible)

---

## Description

---

Triaxial CCLD Accelerometer Types 4527, 4527-001 and 4527-003 are perfect for both general-purpose and high-temperature measurements. Stability, reliability and long-term operational life are the focus of their design.

For optimum performance on thin-walled structures and locations with temperature variations, the accelerometers' design is planar shear. The planar shear design consists of two rectangular slices of piezoelectric material, PZ 23, and two seismic masses arranged on the broad sides of a rectangular centre post. They feature a titanium housing that survives daily use while reducing the weight of the accelerometer.

The accelerometers work on low-impedance output, which enables the use of inexpensive cables. They are also compatible with a wide range of signal conditioning amplifiers. Types 4527, 4527-001 and 4527-003 each feature a four-pin, industry-standard connector for maximum cable compatibility. The connector is hermetically sealed to keep out contamination and ensure longevity.

The built-in low-noise preamplifiers are designed for continuous high-temperature operation and give a dynamic range of 114 dB for Type 4527, 98 dB for Type 4527-001 and 116 dB for Type 4527-003, for measurements of both low- and high-level acceleration. They have a stable bias voltage which ensures that their wide dynamic range is maintained over the full temperature range. Each unit undergoes a 180 °C burn-in test during production to secure stable bias.

---

## Recommended Mounting

---

The design of the accelerometers is optimized to transmit vibration through the base of the unit. To achieve a flat frequency response from 0.3 Hz to 10 kHz on all three measurement axes, mount the accelerometer on its base (mounting surface for z-direction) using adhesive or an M3 stud.

The design supports a wide range of mounting techniques such as:

- M3 mounting stud – to achieve the highest frequency
- Adhesive pad – to extend the life of the transducer
- Direct adhesive – to mount the accelerometer quickly

---

## Calibration

---

Each accelerometer is calibrated using random excitation and 1600-line FFT transformation to provide a high-resolution (amplitude and phase) frequency response. This yields a unique characterization and secures the integrity of your vibration measurements.

The sensitivity given on the calibration chart is measured at 159.2 Hz with 95% confidence level using coverage factor  $k = 2$ .

The upper frequency limits given on the calibration chart are frequencies where the deviation from the reference sensitivity at 159.2 Hz is within  $\pm 10\%$ . The upper frequency limit is approximately 30% of the mounted resonance frequency. This assumes that the accelerometer is correctly mounted on the test structure – poor mounting can have a marked effect on the mounted resonance frequency.

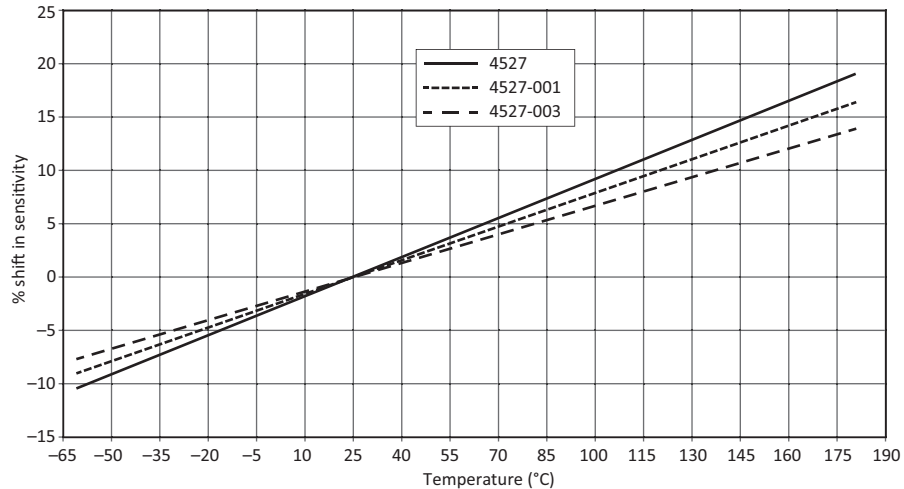
The lower frequency limits and phase response are determined by the built-in preamplifiers. The lower frequency limits are given in the specifications for deviations from reference sensitivity within  $\pm 10\%$ .

## Temperature Response

Types 4527, 4527-001 and 4527-003 operate over an extreme temperature range of  $-60$  to  $+180$  °C ( $-76$  to  $+356$  °F).

Temperature affects the sensitivity of all piezoelectric accelerometers. With the extended temperature range of these accelerometers, it is possible to correct for more accurate results based on Fig. 1.

**Fig. 1**  
Typical temperature response for Types 4527, 4527-001 and 4527-003



120541/1

## Maximum Cable Length

The maximum output voltage of a CCLD accelerometer when driving long cables depends on the supply current at which it is operating, and on the capacitive load due to the connecting cable. The maximum cable length in metres (for distortion  $\leq 1\%$ ) is given by:

$$L = 140000 \times \frac{I_s - 1}{f \times V_o \times C_m}$$

where:

$I_s$  = supply current (mA)

$f$  = frequency (kHz)

$V_o$  = output voltage ( $V_{\text{peak}}$ )

$C_m$  = cable capacitance (pF/m)

## Brüel and Kjær's Triaxial CCLD Accelerometer Family





Types 4527, 4527-001 and 4527-003 are part of a family of triaxial CCLD accelerometers. From dedicated modal testing to high-temperature applications, Brüel & Kjær has an accelerometer to meet your needs – including a family of triaxial charge accelerometers for measurements at temperatures higher than 180 °C.

**Table 1** Overview of Brüel & Kjær's family of triaxial CCLD accelerometers. (More variants can be found on [bksv.com](http://bksv.com))

	4524-B-001	4520	4535-B	4528-B	4527	4529-B
<b>Application</b>	Modal test	General purpose	General purpose	High-temperature, general purpose	High-temperature, general purpose	General purpose
<b>Temperature (°C)</b>	-54 to +100	-51 to +121	-60 to +125	-60 to +165	-60 to +180	-60 to +125
<b>Weight (grams)</b>	4.4	2.9	6	6	6	14.5
<b>TEDS</b>	Yes	No	Yes	Yes*	No	Yes
<b>Isolation</b>	Yes by design	Yes with insulated adaptor	Yes with insulated adaptor	Yes with insulated adaptor	Yes with insulated adaptor	Yes by design
<b>Frequency Range (Hz)</b>	X: 0.20 to 5.5k Y: 0.25 to 3.0k Z: 0.25 to 3.0k	X: 2 to 7k Y: 2 to 7k Z: 2 to 7k	X: 0.3 to 10.0k Y: 0.3 to 10.0k Z: 0.3 to 12.8k	X: 0.3 to 10.0k Y: 0.3 to 10.0k Z: 0.3 to 12.8k	X: 0.3 to 10.0k Y: 0.3 to 10.0k Z: 0.3 to 12.8k	X: 0.3 to 12.8k Y: 0.3 to 6.0k Z: 0.3 to 6.0k
<b>Mounting</b>	Clip or adhesive	Adhesive	M3, clip or adhesive	M3, clip or adhesive	M3, clip or adhesive	Clip or adhesive
<b>Sensitivity (mV/ms<sup>-2</sup>)</b>	1	1	1	1	1	10
<b>Noise Floor (mm/s<sup>-2</sup>)</b>	50	70	9	9	9	3
<b>Product Data</b>	<a href="#">BP-2076</a>	<a href="#">BP-2072</a>	<a href="#">BP-2465</a>	<a href="#">BP-2451</a>	<a href="#">BP-2447</a>	<a href="#">BP-2517</a>

\* The TEDS data retention can work up to 165 °C. High-temperature usage can reduce the lifetime of the TEDS chip. This does not have any impact on the specifications of the accelerometer. TEDS is only recommended for use during the measurement set-up phase

## Compliance with Standards

   	<p>The CE marking is the manufacturer's declaration that the product meets the requirements of the applicable EU directives</p> <p>RCM mark indicates compliance with applicable ACMA technical standards – that is, for telecommunications, radio communications, EMC and EME</p> <p>China RoHS mark indicates compliance with administrative measures on the control of pollution caused by electronic information products according to the Ministry of Information Industries of the People's Republic of China</p> <p>WEEE mark indicates compliance with the EU WEEE Directive</p>
<b>Safety</b>	<p>EN/IEC 61010–1: Safety requirements for electrical equipment for measurement, control and laboratory use</p> <p>ANSI/UL 61010–1: Safety requirements for electrical equipment for measurement, control and laboratory use</p>
<b>EMC Emission</b>	<p>EN/IEC 61000–6–3: Generic emission standard for residential, commercial and light industrial environments</p> <p>EN/IEC 61000–6–4: Generic emission standard for industrial environments</p> <p>CISPR 22: Radio disturbance characteristics of information technology equipment. Class B Limits</p> <p>FCC Rules, Part 15: Complies with the limits for a Class B digital device</p> <p>This ISM device complies with Canadian ICES–001 (standard for interference-causing equipment)</p>
<b>EMC Immunity</b>	<p>EN/IEC 61000–6–1: Generic standards – Immunity for residential, commercial and light industrial environments</p> <p>EN/IEC 61000–6–2: Generic standards – Immunity for industrial environments</p> <p>EN/IEC 61326: Electrical equipment for measurement, control and laboratory use – EMC requirements</p> <p><b>Note:</b> The above is only guaranteed using accessories listed in this Product Data sheet</p>
<b>Temperature</b>	<p>IEC 60068–2–1 &amp; IEC 60068–2–2: Environmental Testing. Cold and Dry Heat</p> <p>Operating Temperature: -60 to +180 °C (-76 to +356 °F)</p>
<b>Mechanical</b>	<p>Non-operating:</p> <p>IEC 60068–2–6: Vibration: 0.3 mm, 20 m/s<sup>2</sup>, 10 – 500 Hz</p> <p>IEC 60068–2–27: Shock: 1000 m/s<sup>2</sup></p> <p>IEC 60068–2–29: Bump: 1000 bumps at 250 m/s<sup>2</sup></p>

Specifications – Triaxial CCLD Accelerometer Types 4527, 4527-001 and 4527-003

Type No.		4527	4527-001	4527-003	
<b>General</b>					
<b>Weight</b>	gram (oz)	6 (0.21)		4.8 (0.17)	
<b>Voltage Sensitivity (at 159.2 Hz and 4 mA supply current)</b>	mV/ms <sup>-2</sup>	1.0 ± 10%	10 ± 10%	.1 ± 10%	
	mV/g	9.8 ± 10%	98 ± 10%	0.98 ± 10%	
<b>Frequency Range</b>	Amplitude (±10%) <sup>†</sup>	Hz	X, Y: 0.3 to 10000, Z: 0.3 to 12800		
	Amplitude (±10%) <sup>†</sup>		X, Y: 0.3 to 5500, Z: 0.3 to 12800		
	Amplitude with Req-X (± 10%) <sup>‡</sup>		X, Y: 0.3 to 10000, Z: 0.3 to 15000		
	Phase (±5°) <sup>*</sup>		X, Y: 2.0 to 10000, Z: 2.0 to 12800		
	Phase (±5°) <sup>†</sup>		X, Y: 2.0 to 5500, Z: 2.0 to 12800		
<b>Mounted Resonance Frequency</b>	kHz	X, Y: 30, Z: 42			
<b>Max. Transverse Sensitivity (at 30 Hz, 100 ms<sup>-2</sup>)</b>	%	<5			
<b>Max. Operational Continuous Sinusoidal Acceleration (peak)</b>	60 to 150 °C	ms <sup>-2</sup> (g)	7000 (714)	700 (71)	50000 (5100)
	150 to 180 °C	ms <sup>-2</sup> (g)	5000 (510)	500 (51)	50000 (5100)
<b>Electrical</b>					
<b>Bias Voltage</b>	At 25 °C and 4 mA	V	12 ± 1	13 ± 1	
	At full temp. and current range		8.5 to 14	11 to 14	
<b>Power Supply</b>	At constant current	mA	2 to 20		
	At unloaded supply voltage, -60 to +150 °C	V	22 to 30		
	At unloaded supply voltage, 150 to 180 °C		20 to 30		
<b>Output Impedance</b>	Ω	<30		<20	
<b>Start-up time (to final bias ± 10%)</b>	s	<10		< 5	
<b>Residual Noise (inherent RMS broadband noise in the specified frequency range)</b>	0.3 Hz to 10 kHz	μV	9	60	6
		μg	900	600	6000
	1 Hz to 10 kHz	μV	5	30	3
		μg	500	300	3000
	2 Hz to 10 kHz	μV	4	20	–
		μg	400	200	–
<b>Noise Spectral</b>	10 Hz	mms <sup>-2</sup> /√Hz (μg/√Hz)	0.30 (30)	0.20 (20)	1.7 (170)
	100 Hz		0.06 ( 6)	0.04 ( 4)	0.5 ( 50)
	1000 Hz		0.04 ( 4)	0.02 ( 2)	0.3 ( 30)
<b>Insulation Resistance (signal ground to case)</b>	GΩ	Signal ground is connected to case			
<b>Environmental</b>					
<b>Operating Temperature Range**</b>	°C (°F)	-60 to +180 (-76 to +356)			
<b>Temperature Coefficient of Sensitivity</b>	%/°C	0.12	0.1		
<b>Temperature Transient Sensitivity (3 Hz Lower Limiting Freq. (-3 dB, 6 dB/octave))</b>	ms <sup>-2</sup> /°C	0.02		0.025	
	g/°F	0.0011		0.0014	
<b>Magnetic Sensitivity (50 Hz, 0.038 T)</b>	ms <sup>-2</sup> /T (g/kG)	15 (0.15)	8 (0.08)	100 (1)	
<b>Base Strain Sensitivity (at 250 με in base plane)</b>	ms <sup>-2</sup> /με (g/με)	0.10 (0.01)		0.010 (0.001)	
<b>Max. Non-destructive Shock (peak)</b>	kms <sup>-2</sup> (g)	50 (5100)			
<b>Mechanical</b>					
<b>Case Material</b>		Titanium ASTM Grade 5			
<b>Piezoelectric Sensing Element</b>		PZ 23			
<b>Construction</b>		Shear			
<b>Sealing</b>		Hermetic			
<b>Electrical Connector</b>		¼"–28 UNF 4-pin (M)			
<b>Mounting</b>		M3 × 2.8 mm threaded hole or adhesive			

\* Mounted on intended surface (mounting surface for z-direction)

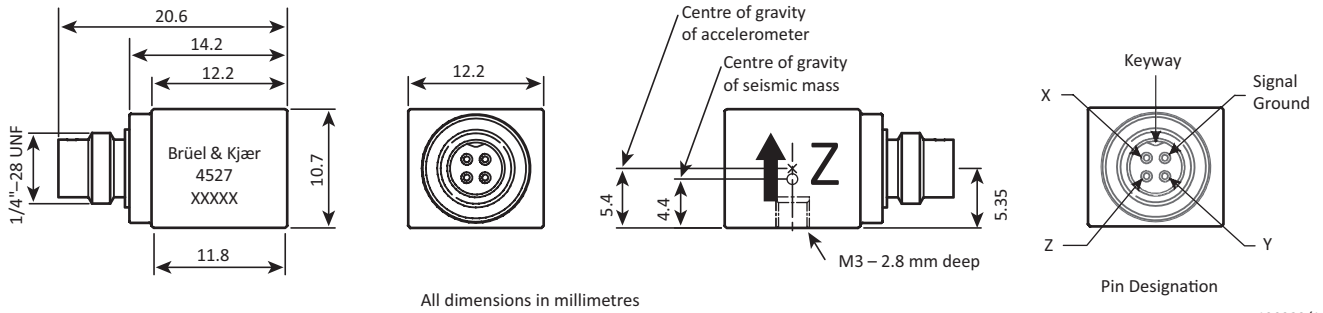
† Verified amplitude response during calibration with reduced useful frequency response on x- and y-axes due to mounting on unintended mounting surface

‡ Mounted on intended surface (mounting surface for z-direction). Applying REq-X on x- and y-axes is not recommended

\*\* Apply CCLD power below 170 °C to ensure reliable CCLD power at start-up

All values are typical at 25 °C (77 °F) unless measurement uncertainty is stated

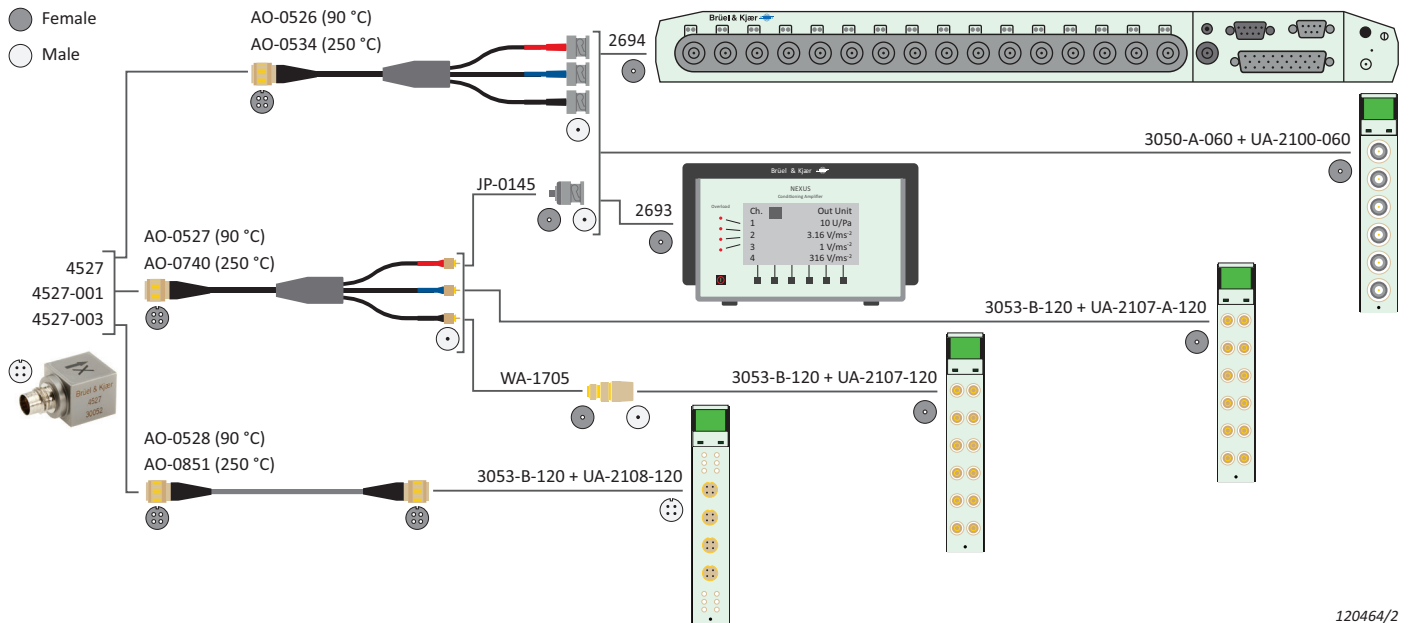
**Fig. 2** Physical dimensions and pin designation of Types 4527, 4527-001 and 4527-003, shown resting on base



120382/1

## Equipment Configuration

**Fig. 3** Typical configurations with Types 4527, 4527-001 and 4527-003



120464/2

## Ordering Information

<b>Type 4527</b>	<b>Triaxial CCLD Accelerometer (1.0 mV/ms<sup>-2</sup>)</b>
<b>Type 4527-001</b>	<b>Triaxial CCLD Accelerometer (10 mV/ms<sup>-2</sup>)</b>
<b>Type 4527-003</b>	<b>Triaxial CCLD Accelerometer (0.1 mV/ms<sup>-2</sup>)</b>

Include the following accessories:

- Carrying Box
- Calibration Chart
- M3 Mounting Stud

### Optional Accessories

For additional accessories, cables and services, visit [bksv.com](http://bksv.com).

### CABLING

<b>AO-0851-x-yyy*</b>	Flexible cable	<ul style="list-style-type: none"> <li>• ¼"–28 UNF 4-pin (F) connectors</li> <li>• 250 °C (482 °F)</li> </ul>
<b>AO-0528-x-yyy*</b>	Flexible cable	<ul style="list-style-type: none"> <li>• ¼"–28 UNF 4-pin (F) connectors</li> <li>• 90 °C (194 °F)</li> </ul>
<b>AO-0534-x-yyy*</b>	Flexible cable	<ul style="list-style-type: none"> <li>• ¼"–28 UNF 4-pin (F) connector to 3 × super low-noise cables with BNC (M) connectors</li> <li>• 250 °C (482 °F)<sup>†</sup></li> </ul>
<b>AO-0526-x-yyy*</b>	Flexible cable	<ul style="list-style-type: none"> <li>• ¼"–28 UNF 4-pin (F) connector to 3 × super low-noise cables with BNC (M) connectors</li> <li>• 90 °C (194 °F)<sup>†</sup></li> </ul>
<b>AO-0740-x-yyy*</b>	Flexible, single-screened coaxial cable	<ul style="list-style-type: none"> <li>• Four-wire cable</li> <li>• ¼"–28 UNF 4-pin (F) to 3 × 10–32 UNF (M) connectors</li> <li>• 250 °C (482 °F)<sup>†</sup></li> </ul>
<b>AO-0527-x-yyy*</b>	Flexible cable	<ul style="list-style-type: none"> <li>• ¼"–28 UNF 4-pin (F) connector to 3 × super low-noise cables with 10–32 UNF (M) connectors</li> <li>• 90 °C (194 °F)<sup>†</sup></li> </ul>
<b>AO-0536-x-yyy*</b>	Flexible cable for connecting two triaxial accelerometers	<ul style="list-style-type: none"> <li>• 2 × circular 4-pin (F) to 37-pin D-sub (F)</li> <li>• 90 °C (194 °F)</li> </ul>

\* x = D (decimetres) or M (metres)

yyy = length in decimetres or metres

Please specify cable length when ordering

† This cable has a splitter with an operating temperature range of – 40 to + 150 °C (– 40 to + 302 °F)

JP-0145	Plug Adaptor, 10–32 UNF (F) to BNC (M)
WA-1705	Plug Adaptor, 10–32 UNF (F) to SMB (F)

### MOUNTING

QS-0007	Tube of cyanoacrylate adhesive
QS-0090	Glue X-60, two components
UA-0867	Cementing stud, M3 stud with Ø 8 mm (0.31") cementing pad (set of 25)
UA-1075	Mounting magnet and two insulating discs, M3, Ø 10 mm (0.39"), length 1.6 mm (0.06"), set of 5
UA-1193	Insulated stud, M3, double end with flange, 200 °C (392 °F), length 5.4 mm (0.21"), set of 10
UA-2065	Stud, M3, length 5 mm (0.20"), set of 10
WA-0224	Mechanical Filter, M3 stud and hole
YJ-0216	Beeswax for mounting

### SIGNAL CONDITIONING AND DATA ACQUISITION

Type 2693	NEXUS CCLD Conditioning Amplifier
Type 2694-A	16-ch. CCLD Conditioning Amplifier
Type 3050-A-060	6-ch. Input Module LAN-XI 51.2 kHz (Mic, CCLD, V)
Type 3053-B-120	12-ch. Input Module LAN-XI 25.6 kHz (CCLD, V)
UA-2100-060	LAN-XI Front Panel with six BNC connectors
UA-2103	LAN-XI Front Panel with six-channel, 37-pin D-sub connector
UA-2107-120	LAN-XI Front Panel with 12 SMB connectors
UA-2107-A-120	LAN-XI Front Panel with 12 10–32 UNF connectors
UA-2108-120	LAN-XI Front Panel with four triaxial accelerometer connectors (4-pin)

### CALIBRATION

Type 4294	Calibration Exciter
-----------	---------------------

### Calibration Services

ACC-T-CAF	Accredited calibration
ACC-T-CAI	Accredited initial calibration
ACC-T-CFF	Factory standard calibration
ACC-T-CTF	Traceable calibration

Brüel & Kjær and all other trademarks, service marks, trade names, logos and product names are the property of Brüel & Kjær or a third-party company.

**Brüel & Kjær Sound & Vibration Measurement A/S**  
DK-2850 Nærum · Denmark · Telephone: +45 77 41 20 00 · Fax: +45 45 80 14 05  
[www.bksv.com](http://www.bksv.com) · [info@bksv.com](mailto:info@bksv.com)  
Local representatives and service organizations worldwide

Although reasonable care has been taken to ensure the information in this document is accurate, nothing herein can be construed to imply representation or warranty as to its accuracy, currency or completeness, nor is it intended to form the basis of any contract. Content is subject to change without notice – contact Brüel & Kjær for the latest version of this document.

**Brüel & Kjær** 

