



**402 Series Data Sheet**  
**High Voltage Power Supply**  
**Capacitor Charging and DC**  
**Output Voltage from 1kV - 50kV**  
**Output Power 4kJ/sec or 4kW**  
**Full local and remote control**



**TDK-Lambda**  
Trusted • Innovative • Reliable

[www.us.lambda.tdk.com](http://www.us.lambda.tdk.com)

# 402 Series Specification

Industry standard rack mount capacitor charging and DC power supplies with 4kJ/sec rating for capacitor charging, or 4kW rating in continuous DC applications.

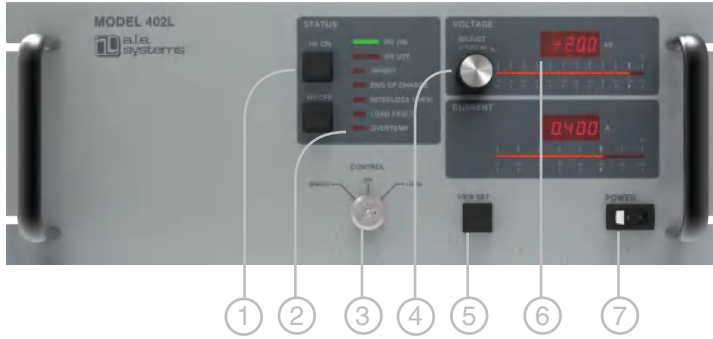
- Power rating of 4kJ/sec, 5kJ/sec peak
- Output Voltages from 0-1kV to 0-50kV
- Compact air cooled rack mount package
- Efficient IGBT based resonant inverter
- Excellent pulse to pulse repeatability
- 208 or 400VAC 3Ø input voltage
- Comprehensive remote control interface
- UL Approved AC line contactor (optional for OEM models)
- Ultra reliable and rugged industry standard design
- Passive PFC (pf = 0.85)
- Full local output voltage and HV On/Off controls (L version)
- Simple parallel operation for higher power
- Lab, Slave, or OEM front panel options

Average Capacitor Charging Power	4,000 Joules/sec ( $\frac{1}{2}CV^2 \times \text{Rep Rate}$ )
Peak Capacitor Charging Power	5,000 Joules/sec ( $\frac{1}{2}CV^2/t_{\text{charge}}$ )
Average Continuous DC Power	4,000 Watts
Output Voltage Range	1, 2, 4, 5, 10, 15, 20, 30, 40, 50kV, variable from 10-100% of rated
Polarity	Available as fixed Positive or Negative. Please specify at time of ordering
HV Output Cable	1-39kV Models - DS2124 Coaxial cable with proprietary HV connector 40-50kV Models - DS2214 Coaxial cable with proprietary HV connector
HV Insulating Medium	Shell Diala S2 or equivalent insulating oil
AC Input Voltage	208VAC (180-264), 3Ø - Suffix 3P208 or 400VAC (340-460), 3Ø + N - Suffix 3P400. Specify at time of ordering
AC Input Current	20A/15A
AC Connector	UL/CSA approved terminal block. 3Ø + $\frac{N}{\pm}$ for 208VAC, 3Ø + N + $\frac{N}{\pm}$ for 400VAC
AC Line Contactor	UL/CSA approved AC line contactor (standard on 402L and 402S, option for 402OEM)
Power Factor	Passive PFC pf = 0.85 at full load and nominal AC line
Efficiency	Better than 85% at full load
Front Panel	402L - Voltage Control, Voltage & Current Meters, Status Indicators 402S - On/Off Switch, Status Indicators 402-OEM - Blank front panel
Stability	0.2% per hour after 1 hour warmup
Temperature Coefficient	100ppm per °C typical
Stored Energy	Less than 0.3J all models
Pulse to Pulse Repeatability	±2% to 1000Hz, consult factory for higher rep rates
Dimensions - inches (mm)	19 (483) W x 7 (178) H x 17 (432) D
Weight - lbs (kg)	65 (30)
Ambient Temperature	Storage: -40 to +85°C. Operating: -20 to +45°C
Altitude	Storage: 40,000ft (12,000m), Operating: 9,900ft (3,000m)
Humidity	10-90%, non-condensing
Protection	Open/short circuits, Overloads, Arcs, Overtemp, Overvoltage, Safety Interlock
Remote Control (all models)	Via 25-pin D-sub connector on rear of unit, Signals include, Vprogram (0-10V), HV Enable/Reset, Inhibit, Summary Fault, Load Fault, Vanalog, Vpeak
Accessories	10ft HV cable, operating manual
Options	EN - Low Enable. Replaces standard high enable 5V - 0-5V Analog programming. Replaces standard 0-10V programming. LP - Latching Overload Protection, requires HV reset after overload fault DC - Continuous DC operation CT - AC line contactor (option for 402OEM models only, standard on 402L and 402S) Double terminated HV cable, and mating bulkhead connector
Ordering Info	Model - XXkV - POS (or NEG) - 3PYYY - ZZ (options)
Ordering Examples	402L-10kV-POS-3P208, 402S-1kV-NEG-DC-3P208, 402-OEM-50kV-POS-3P400

All specifications subject to change without notice

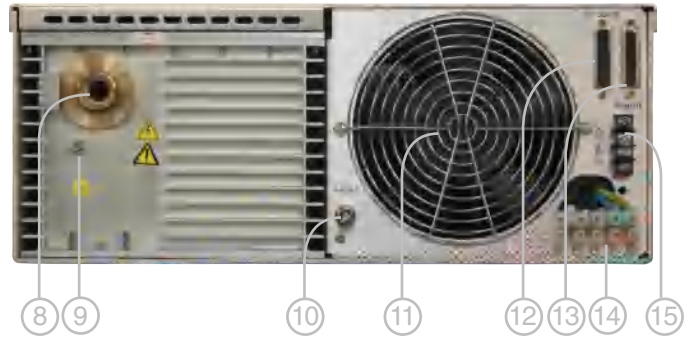
# 402 Series Mechanical Details

## 402L Front View



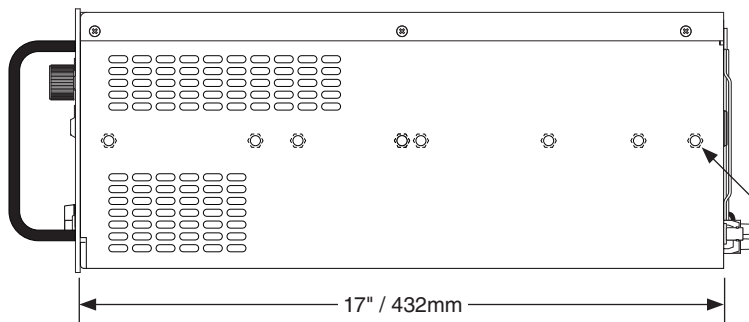
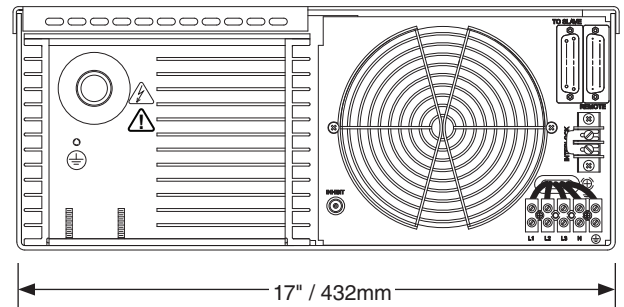
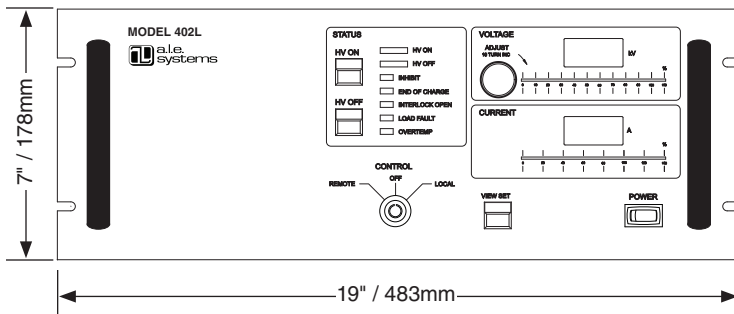
- 1 - HV On/Off Push Buttons (L model only)
- 2 - Status Indicator LEDs (L and S models only)
- 3 - Local/Remote Keyswitch (L model only)
- 4 - 10-Turn HV Output Control (L models only)
- 5 - View Set Push Button (L models only)
- 6 - Output Voltage and Current Displays (L models only)
- 7 - Power Switch (L and S models only)

## 402L Rear View



- 8 - HV Output Connector
- 9 - Ground Stud
- 10 - Inhibit BNC (L models only)
- 11 - Cooling Fan
- 12 - Slave Supply Programming Connector (L models only)
- 13 - Remote Programming Connector
- 14 - AC Input Terminal Block
- 15 - Interlock Terminals

## Outline Drawings



Chassis slide mounting holes

### Notes:

- 1 - Chassis slide mounting pattern matches General Devices CT series or equivalent with 3.875" hole spacing.
- 2 - Cooling air enters rear of unit and exits at either side. Do not block air vents or cooling fan and allow several inches of clearance at rear of unit.
- 3 - Allow 6" bend radius at rear of unit for HV cable.

# GLOBAL HIGH VOLTAGE NETWORK

## NORTH AMERICA

TDK-Lambda Americas Inc., Programmable and High Voltage  
405 Essex Rd. Neptune, NJ 07753  
Tel: +1-732-795-4100, Fax: +1-732-922-1441  
E-mail: andy.tydeman@tdk.com  
Web: www.us.lambda.tdk.com

## CANADA

ACA TMetrix  
5805 Kennedy Road  
Mississauga, Ontario L4Z 2G3  
Tel: +1-800-665-7301 Fax: +1-905-890-1959  
E-mail: lambda@aca.ca  
Web: tmetrix.com

## UK

## IRELAND

## GERMANY

## AUSTRIA

## SWITZERLAND

Pulse Power & Measurement Ltd.  
65 Shrivenham Hundred Business Park  
Watchfield, Swindon  
Wiltshire, SN6 8TY  
Tel: +44-1793-784389, Fax: +44-1793-784391  
Email: sales@ppm.co.uk  
Web: www.pppm.co.uk

## FRANCE

## BELGIUM

## SPAIN

## NETHERLANDS

## LUXEMBOURG

TDK-Lambda France  
3 Avenue du Canada, Parc Technopolis - Bâtiment Sigma  
91940 Les Ulis  
Tel: +33 1 60 12 71 65, Fax: +33 1 60 12 71 66  
Email: tf.fr-powersolutions@tdk.com  
Web: www.emea.lambda.tdk.com/fr

## ITALY

TDK-Lambda France Sas Succursale Italiana  
Via Giacomo Matteotti 62,  
20092 Cinisello Balsamo (MI)  
Tel: +39-02-6129-3863, Fax: +39-02-6129-0900  
Email: tf.it-powersolutions@tdk.com  
Web: www.emea.lambda.tdk.com/it

## SCANDINAVIA

## BALTICS

Divisoft AB  
Sturevägen 3, SE-177 56 Järfälla  
Tel: +46 8 540 248 09, Fax: +46 8 501 096 53  
Email: info@divisoft.se  
Web: www.divisoft.se

## ISRAEL

## UKRAINE

TDK-Lambda Israel Ltd.  
56th Hachroshet st., Industry zone, Karmiel, 2161401  
Tel: +972-3-9024-333, Fax: +972-3-9024-777  
Email: TLI.Powersolutions@tdk.com  
Web: www.emea.lambda.tdk.com/il

## BRAZIL

Suplitec  
Rua Sena Madureira 455, Belo Hte - 31340-000  
Tel: +55-31-3498 1177, Fax: +55-31-3441 0841  
Email: vendas@suplitec.com.br,  
Web: www.suplitec.com.br

## MEXICO

AcMax De Mexico  
Calle Rosas No. 139 Col. Bugambilias, Puebla, Pue. C.P. 72580  
Tel: +52-800-211-0060, Fax: +52-264-1445  
Email: edaena@acmax.mx,  
Web: www.acmax.mx

## JAPAN

## KOREA

Electronics Optics Research, Ltd  
4-26-19 Koenji-Minami  
Suginami-ku, Tokyo 166-0003  
Tel: +81-333-145699, Fax: +81-333-142333  
Email: imamura@eor.jp,  
Web: www.eor.jp

## CHINA

TDK-Lambda Shanghai Office  
5th Floor Kehui Tower, 1188 Qinzhou Road (North),  
Xuhui District, Shanghai, 200233 P.R. China  
Tel: +86-21-64850777, Fax: +86-21-64850666  
Email: tlc.powersolutions@tdk.com  
Web: www.lambda.tdk.com.cn

## MALAYSIA

TDK-Lambda Malaysia  
Lot 709, Nilai Industrial Estate,  
71800, Nilai,  
Negeri Sembilan, Malaysia  
Tel: +60-3-7957-8800 Fax: +60-3-7958-2400

## SINGAPORE

## PHILIPPINES

## THAILAND

TDK-Lambda Singapore  
1008 Toa Payoh North # 06-01/08  
Singapore 318996  
Tel: +65-6251-7211 Fax: +65-6250-9171  
Web: www.sg.lambda.tdk.com

## INDIA

TDK-Lambda India  
No.989, 1st Cross, 2nd Floor, 13th Main,  
HAL 2nd Stage, Bangalore, Karnataka, India – 560 008  
Tel: +91-80-43550500, Fax: +91-80-43550501  
Email: mathew.philip@tdk.com

## SOUTH AFRICA

TEACO Lasers (Pty) Ltd.  
Pretoria, South Africa  
Tel: +27 82 447 0509  
Email: info@TEACOLasers.com  
Web: teacolasers.com



TDK-Lambda Americas Inc. 405 Essex Road, Neptune, NJ 07753 USA  
Tel: +1 732 795 4100  
www.us.lambda.tdk.com

93 008 009 Rev L