



**Ball valve, manually actuated,  
DN 16 ISO-KF**

---

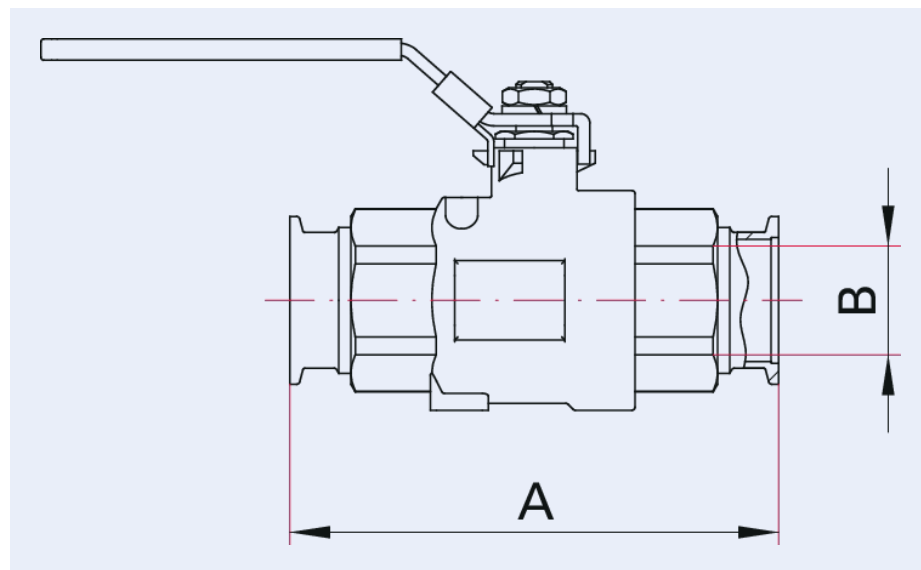




**Ball valve, manually actuated, DN 16 ISO-KF**

- Ball valve with large-scale free clearance
- Ball made from stainless steel (1.4401)

## Dimensions



A	110 mm
B	15 mm

Technical Data	Ball valve, manually actuated, DN 16 ISO-KF
Temperature range min.	-20 °C
Temperature range max.	80 °C
Flange, material	Stainless steel 1.4301 (AISI 304)
Seal	PTFE   PTFE (glass fiber reinforced)
Type	Ball valve
Temperature range	-20 – 80 °C
Housing	Stainless steel 1.4408
Actuator	90° rotation of hand lever
Tightness	$<1 \cdot 10^{-7} \text{ Pa m}^3 / \text{s}$ <span style="margin-left: 20px;"><math>&lt;1.33 \cdot 10^{-5} \text{ Torr l/s}</math></span> <span style="margin-left: 20px;"><math>&lt;1 \cdot 10^{-5} \text{ mbar l/s}</math></span>
Connection flange	DN 16 ISO-KF
Pressure range	1E-5 hPa – 5E2 hPa over pressur · 10

<b>Order number</b>	Ball valve, manually actuated, DN 16 ISO-KF
Ball valve, manually actuated, DN 16 ISO-KF	120VKZ016

## Your Success. Our Passion.

We give our best for you every day –  
worldwide!

**Are you looking for an optimum vacuum solution?**

**Talk to us:**

Pfeiffer Vacuum Components & Solutions GmbH Germany

T +49 551 99963-0

info-cs@pfeiffer-vacuum.com

Or scan the barcode, to visit our web page:



<https://webportal.pfeiffer-vacuum.com/global/en/contact>



Errors and/or changes excepted. - 7/14/2024

Follow Us On Social Media  
#pfeiffervacuum



**PFEIFFER**  **VACUUM**

[www.pfeiffer-vacuum.com](http://www.pfeiffer-vacuum.com)