



Diaphragm valve, manually operated, DN 16 ISO-KF

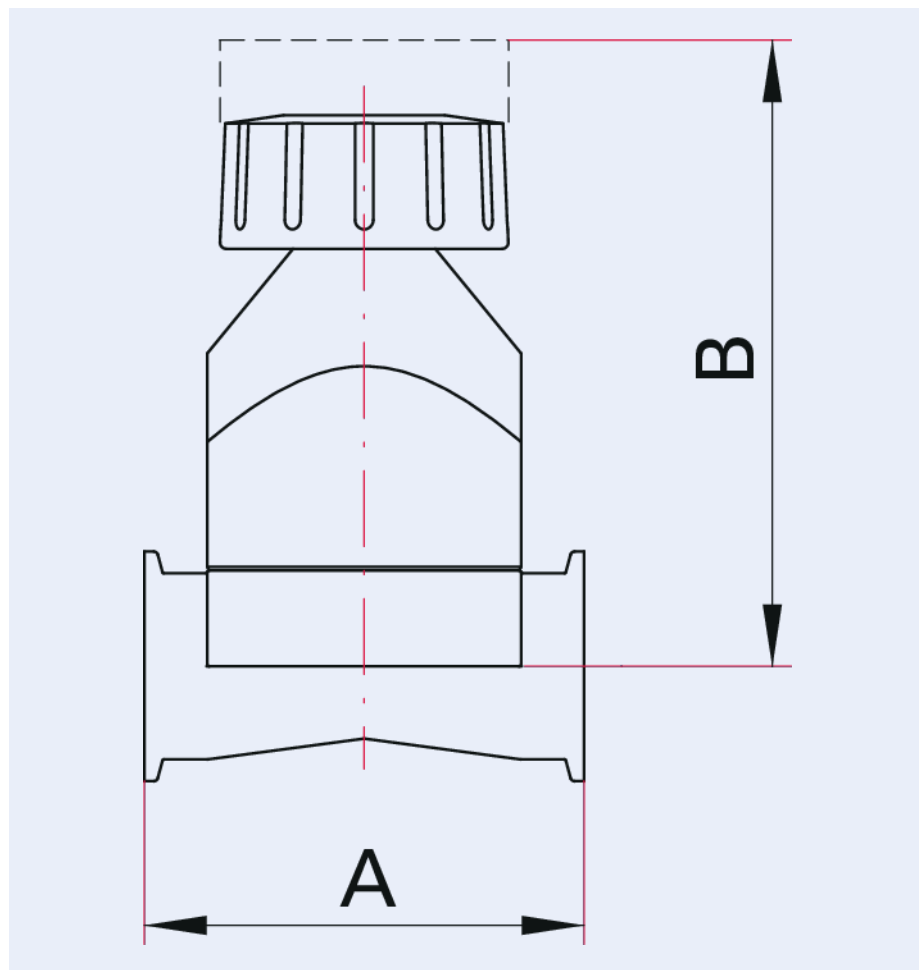




Diaphragm valve, manually operated, DN 16 ISO-KF

- Robust vacuum valve for venting, rough-metering and locking
- Service life: 100000 operating cycles
- The membrane seals the valve seat and the housing
- With visual indication of open and closed positions

Dimensions



A	52 mm
B	66.5 mm

Technical Data	Diaphragm valve, manually operated, DN 16 ISO-KF
Seal: Valve plate	FKM
Type	Diaphragm valve
Housing	Aluminum
Mounting orientation	Arbitrary
Actuator	Spindle
Tightness	$1 \cdot 10^{-10} \text{ Pa m}^3 / \text{s}$ $1.33 \cdot 10^{-8} \text{ Torr l/s}$ $1 \cdot 10^{-8} \text{ mbar l/s}$
Bakeout temperature: actuator	50 °C 122 K -223.15 °F
Conductance value with molecular flow	2 l/s
Bakeout temperature: housing	100 °C 212 K -173.2 °F
Conductance value	2 l/s
Connection flange	DN 16 ISO-KF
Pressure range	1E-7 hPa – $5 \cdot 10^3 \text{ hPa}$

Order number	Diaphragm valve, manually operated, DN 16 ISO-KF
Diaphragm valve, manually operated, DN 16 ISO-KF	110VME016

Your Success. Our Passion.

We give our best for you every day –
worldwide!

Are you looking for an optimum vacuum solution?

Talk to us:

Pfeiffer Vacuum Components & Solutions GmbH Germany

T +49 551 99963-0

info-cs@pfeiffer-vacuum.com

Or scan the barcode, to visit our web page:



<https://webportal.pfeiffer-vacuum.com/global/en/contact>



Errors and/or changes excepted. - 7/3/2024

Follow Us On Social Media
#pfeiffervacuum



PFEIFFER  **VACUUM**

www.pfeiffer-vacuum.com