



**HV gate valve, DN 500 ISO-F,
electro-pneumatic, PI (RS)/PV
24 V DC, SS/FKM**

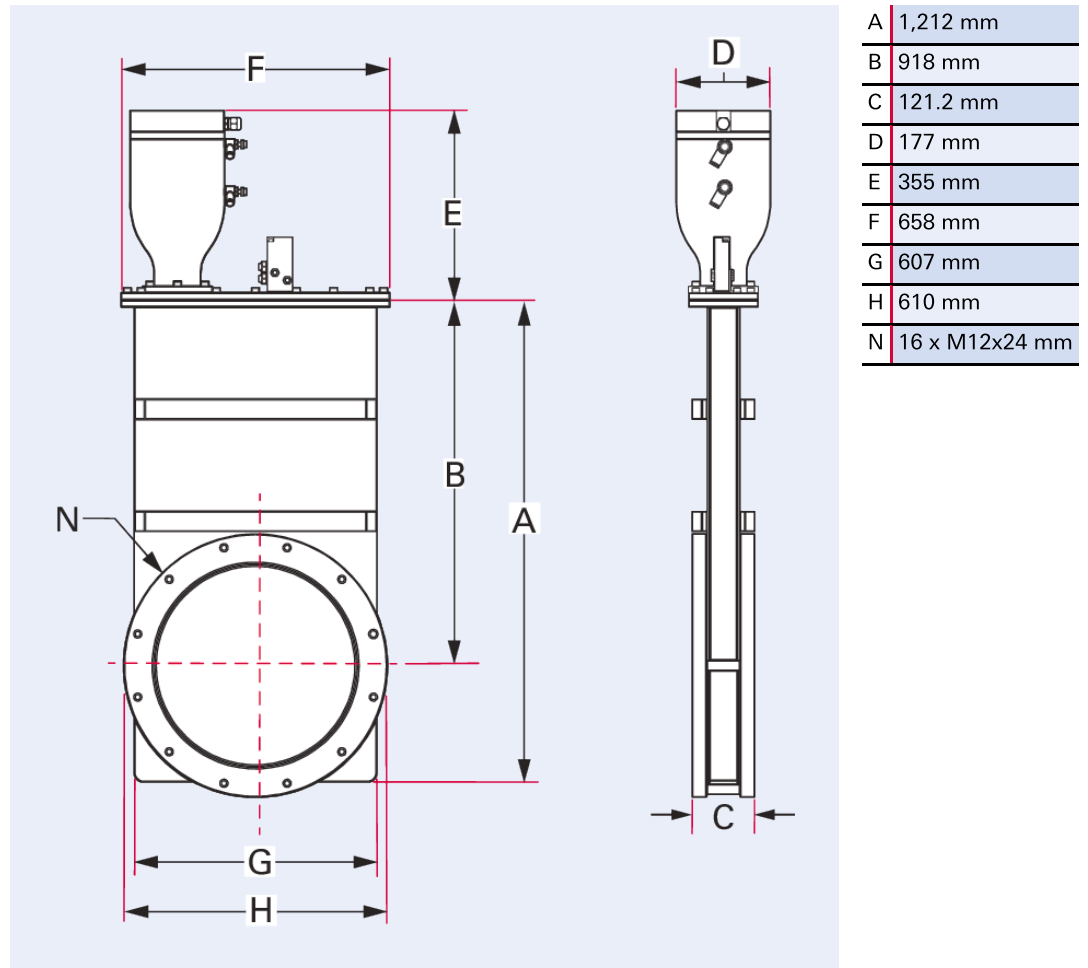




HV gate valve, DN 500 ISO-F, electro-pneumatic, PI (RS)/PV 24 V DC, SS/FKM

- Stainless steel valve body with elastomer seals
- Ultra-slim profile can be operated in any orientation
- High conductance due to free clearance
- Wide selection of O-ring materials
- Position indicator switch included
- PI reed switch

Dimensions



Technical Data	HV gate valve, DN 500 ISO-F, electro-pneumatic, PI (RS)/PV 24 V DC, SS/FKM
Seal: Housing	FKM
Seal: Valve seat	FKM
Feedthrough	Bellows
Number of screws	16 Pieces
Opens against differential pressure of	30 hPa
Control valve	Included
Position indicator	Included
Type	HV gate valve
Thread	M 12
Valve plate	Stainless steel 1.4301 (AISI 304)
Housing	304/1.4301 Stainless steel
Actuator	Electro-pneumatic
Input voltage(s)	24 V DC
Tightness	1 · 10 ⁻¹¹ Pa m ³ /s 1.33 · 10 ⁻⁹ Torr l/s 1 · 10 ⁻⁹ mbar l/s
Bakeout temperature: actuator, position indicator	60 °C 140 K -213.15 °F
Bakeout temperature: actuator	60 °C 140 K -213.15 °F
Conductance value with molecular flow	132,197 l/s
Pressure max. (absolute)	1,000 hPa 750 Torr 1,000 mbar
Thread depth	24 mm 0.94 inch
Bakeout temperature: valve open, under vacuum	150 °C 302 K -123.2 °F
Bakeout temperature: actuator, pilot valve	60 °C 140 K -213.15 °F
Bakeout temperature: housing	150 °C 302 K -123.2 °F
Pressure min.	1 · 10 ⁻⁸ hPa 7.5 · 10 ⁻⁹ Torr 1 · 10 ⁻⁸ mbar
Differential pressure in closing direction	1,000 hPa 750 Torr 1,000 mbar
Bakeout temperature: valve closed	150 °C 302 K -123.15 °F
Differential pressure in opening direction	1,000 hPa 750 Torr 1,000 mbar
Weight	249 kg 548.95 lb
Compressed air volume	1,927 cm ³
Power consumption	24 V DC / 4.5 W
Connection flange	DN 500 ISO-F
Closing/opening time	7 s/7 s
Compressed air (overpressure)	4 500 – 6 000 hPa

Order number	HV gate valve, DN 500 ISO-F, electro-pneumatic, PI (RS)/PV 24 V DC, SS/FKM
HV gate valve, DN 500 ISO-F, electro-pneumatic, PI (RS)/PV 24 V DC, SS/FKM	GVP-S16342

Your Success. Our Passion.

We give our best for you every day –
worldwide!

Are you looking for an optimum vacuum solution?

Talk to us:

Pfeiffer Vacuum Components & Solutions GmbH Germany

T +49 551 99963-0

info-cs@pfeiffer-vacuum.com

Or scan the barcode, to visit our web page:



<https://webportal.pfeiffer-vacuum.com/global/en/contact>



Errors and/or changes excepted. - 7/5/2024

Follow Us On Social Media
#pfeiffervacuum



PFEIFFER  **VACUUM**

www.pfeiffer-vacuum.com