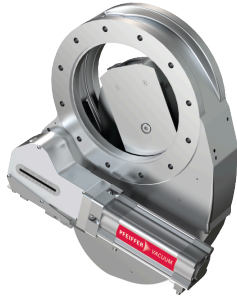


**HV Pendulum valve,
DN 250 ISO-F, electro-
pneumatic, with PI (RS), with
PV, 24 V DC**

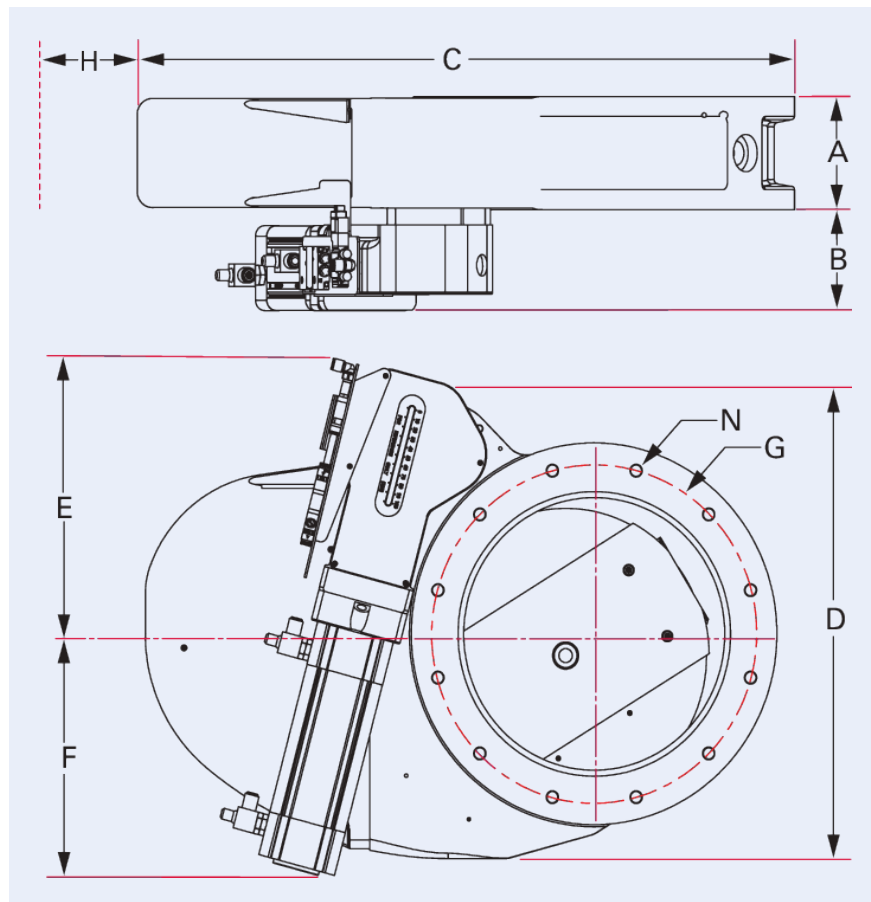




HV Pendulum valve, DN 250 ISO-F, electro-pneumatic, with PI (RS), with PV, 24 V DC

- Space-saving, compact design
- In-situ serviceability through removable body cover
- Wide selection of O-ring materials
- CE marked/fully REACH and RoHS compliant
- Position indicator (PI): Reed switch

Dimensions



| | |
|---|-------------|
| A | 100 mm |
| B | 90 mm |
| C | 607 mm |
| D | 417 mm |
| E | 253 mm |
| F | 222 mm |
| G | 310 mm |
| H | 215 mm |
| N | 12 x M10x10 |

| Technical Data | HV Pendulum valve, DN 250 ISO-F, electro-pneumatic, with PI (RS), with PV, 24 V DC |
|---|---|
| Seal: Housing | FKM |
| Seal: Valve seat | FKM |
| Feedthrough | FKM shaft seals |
| Number of screws | 12 Pieces |
| Opens against differential pressure of | 24 hPa |
| Control valve | Included |
| Position indicator | Included |
| Type | HV Pendulum Valve |
| Thread | M 10 |
| Valve plate | Aluminum |
| Housing | Aluminum |
| Actuator | Electro-pneumatic |
| Input voltage(s) | 24 V DC |
| Tightness | 1 · 10 ⁻¹¹ Pa m ³ /s 1.33 · 10 ⁻⁹ Torr l/s 1 · 10 ⁻⁹ mbar l/s |
| Bakeout temperature: actuator, position indicator | 60 °C 140 K -213.15 °F |
| Bakeout temperature: actuator | 60 °C 140 K -213.15 °F |
| Conductance value with molecular flow | 22,000 l/s |
| Pressure max. (absolute) | 1,500 hPa 1,125 Torr 1,500 mbar |
| Thread depth | 10 mm 0.39 inch |
| Bakeout temperature: valve open, under vacuum | 150 °C 302 K -123.2 °F |
| Bakeout temperature: actuator, pilot valve | 60 °C 140 K -213.15 °F |
| Bakeout temperature: housing | 150 °C 302 K -123.2 °F |
| Pressure min. | 1 · 10 ⁻⁹ hPa 7.5 · 10 ⁻¹⁰ Torr 1 · 10 ⁻⁹ mbar |
| Differential pressure in closing direction | 1,500 hPa 1,125 Torr 1,500 mbar |
| Bakeout temperature: valve closed | 150 °C 302 K -123.15 °F |
| Differential pressure in opening direction | 1,500 hPa 1,125 Torr 1,500 mbar |
| Weight | 28 kg 61.73 lb |
| Compressed air volume | 4,144 cm ³ |
| Power consumption | 24 V DC / 0.5 W |
| Connection flange | DN 250 ISO-F |
| Closing/opening time | 4 s/4 s |
| Compressed air (overpressure) | 4 500 – 6 000 hPa |

| | |
|--|--|
| Order number | HV Pendulum valve, DN 250 ISO-F, electro-pneumatic, with PI (RS), with PV, 24 V DC |
| HV Pendulum valve, DN 250 ISO-F, electro-pneumatic, with PI (RS), with PV, 24 V DC | IPV-A12342 |

Your Success. Our Passion.

We give our best for you every day –
worldwide!

Are you looking for an optimum vacuum solution?

Talk to us:

Pfeiffer Vacuum Components & Solutions GmbH Germany

T +49 551 99963-0

info-cs@pfeiffer-vacuum.com

Or scan the barcode, to visit our web page:



<https://webportal.pfeiffer-vacuum.com/global/en/contact>



Errors and/or changes excepted. - 7/6/2024

Follow Us On Social Media
#pfeiffervacuum



PFEIFFER  **VACUUM**

www.pfeiffer-vacuum.com