



**UHV inline valve, DN 16 CF,  
electro-pneumatic, PV 24 V  
AC, SS/Cu/FKM, "A"-dim. 119  
mm**

---

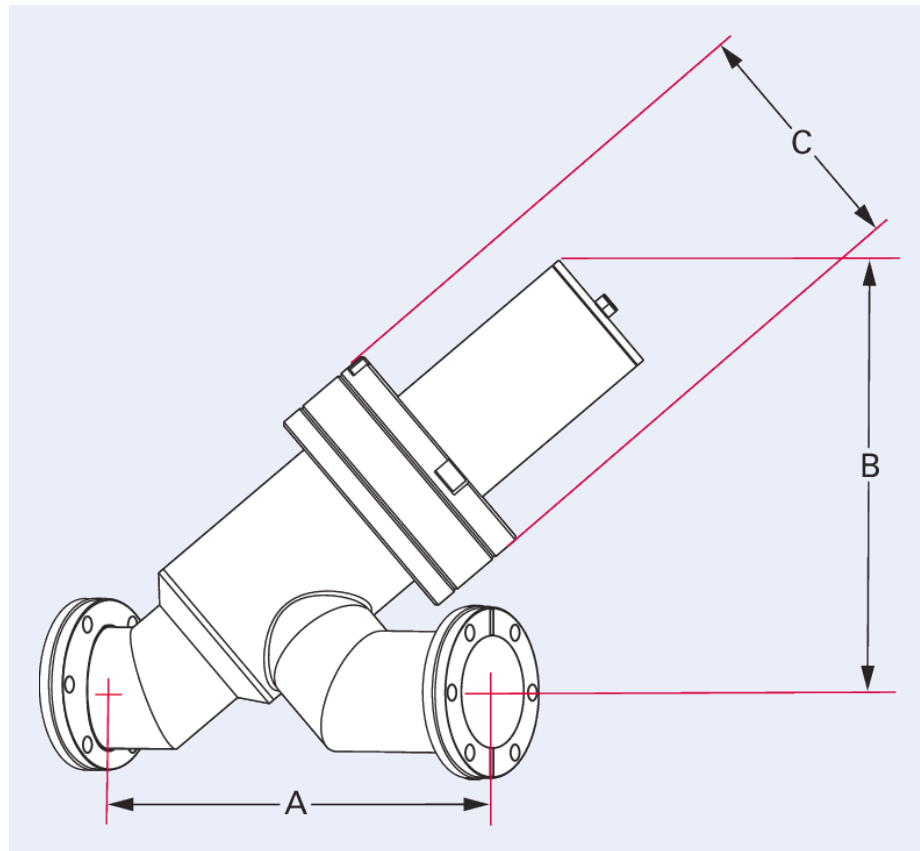




**UHV inline valve, DN 16 CF, electro-pneumatic, PV 24 V AC, SS/Cu/FKM, "A"-dim. 119 mm**

- Single acting, normally closed (air to open / spring to close)
- Copper-sealed for UHV service
- Additional bellows segments increase the service life
- Can be operated in any orientation
- Additional O-ring materials available

## Dimensions



A	119 mm
B	110 mm
C	69 mm

<b>Technical Data</b>	<b>UHV inline valve, DN 16 CF, electro-pneumatic, PV 24 V AC, SS/Cu/FKM, "A"-dim. 119 mm</b>
Seal: Housing	Copper
Seal: Valve plate	FKM
Feedthrough	Bellows   Stainless steel
Power control valve	4.5 W
Control valve	Included
Type	UHV Inline Valve
Temperature range	-20 – 150 °C
Housing	Stainless steel
Actuator	Electro-pneumatic
Input voltage(s)	24 V DC
Tightness	1 · 10 <sup>-12</sup> Pa m <sup>3</sup> /s   1.33 · 10 <sup>-10</sup> Torr l/s   1 · 10 <sup>-10</sup> mbar l/s
Conductance value with molecular flow	4 l/s
Operating pressure min.	1 · 10 <sup>-9</sup> hPa   7.5 · 10 <sup>-10</sup> Torr   1 · 10 <sup>-9</sup> mbar
Pressure max. (absolute)	1,000 hPa   750 Torr   1,000 mbar
Tightness: Housing	1 · 10 <sup>-12</sup> Pa m <sup>3</sup> /s   1.33 · 10 <sup>-10</sup> Torr l/s   1 · 10 <sup>-10</sup> mbar l/s
Bakeout temperature: actuator, pilot valve	60 °C   140 K   -213.15 °F
Bakeout temperature: housing	150 °C   302 K   -123.2 °F
Differential pressure in closing direction	1,400 hPa   1,050 Torr   1,400 mbar
Differential pressure in opening direction	1,400 hPa   1,050 Torr   1,400 mbar
Weight	1 kg   2.2 lb
Compressed air volume	10 cm <sup>3</sup>
Connection flange	DN 16 CF
Closing/opening time	1.25 s/1.5 s
Compressed air (overpressure)	6 000 – 8 000 hPa

<b>Order number</b>	<b>UHV inline valve, DN 16 CF, electro-pneumatic, PV 24 V AC, SS/Cu/FKM, "A"-dim. 119 mm</b>
<b>UHV inline valve, DN 16 CF, electro-pneumatic, PV 24 V AC, SS/Cu/FKM, "A"-dim. 119 mm</b>	<b>CAIVP-S02402</b>

## Your Success. Our Passion.

We give our best for you every day –  
worldwide!

Are you looking for an optimum vacuum solution?

**Talk to us:**  
Pfeiffer Vacuum GmbH  
**Germany**  
**T +49 6441 802-0**

Or scan the barcode, to visit our web page:



<https://webportal.pfeiffer-vacuum.com/global/en/contact>



Errors and/or changes excepted. - 7/5/2024

Follow Us On Social Media  
#pfeiffervacuum



**PFEIFFER**  **VACUUM**

[www.pfeiffer-vacuum.com](http://www.pfeiffer-vacuum.com)