



**HV Inline valve, DN 63 ISO-K,
pneumatic, SS/FKM, "A"-dim.
210 mm**

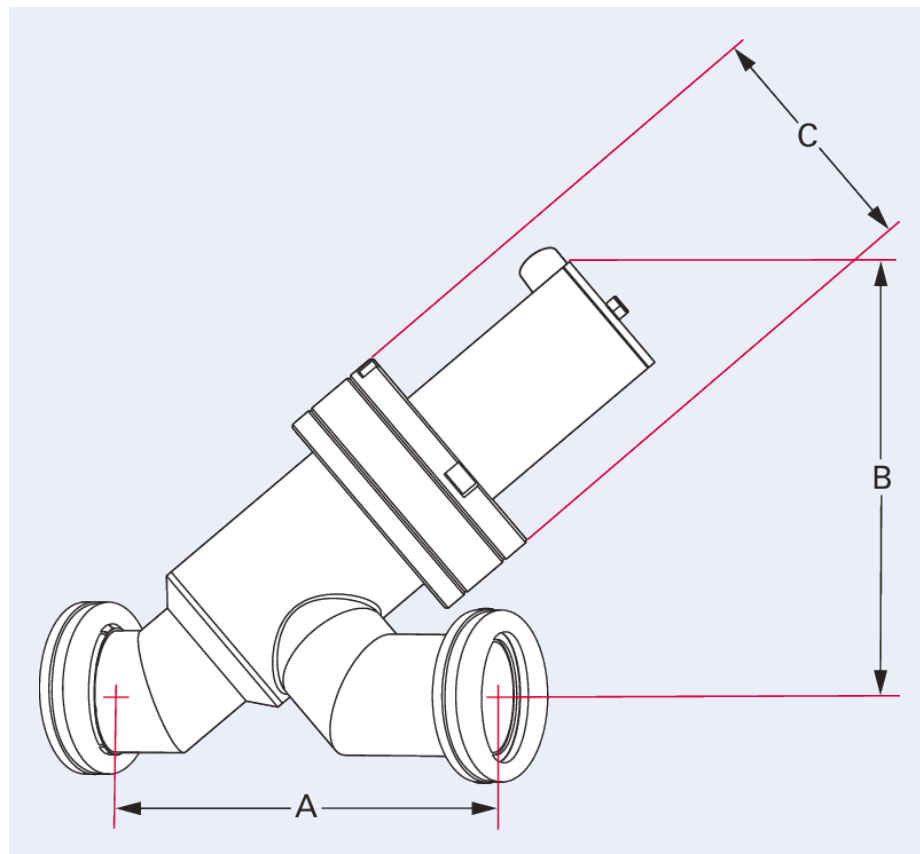




HV Inline valve, DN 63 ISO-K, pneumatic, SS/FKM, "A"-dim. 210 mm

- Double acting (air to open / air to close)
- With elastomer seals for high vacuum operation
- Additional bellows segments increase the service life
- Can be operated in any orientation
- Additional O-ring materials available

Dimensions



A	210 mm
B	194 mm
C	100 mm

Technical Data	HV Inline valve, DN 63 ISO-K, pneumatic, SS/FKM, "A"-dim. 210 mm
Seal	FKM
Type	HV Inline Valve
Temperature range	-20 – 150 °C
Housing	Stainless steel
Actuator	Pneumatic
Tightness	1 · 10 ⁻¹¹ Pa m ³ /s 1.33 · 10 ⁻⁹ Torr l/s 1 · 10 ⁻⁹ mbar l/s
Conductance value with molecular flow	83 l/s
Operating pressure min.	1 · 10 ⁻⁸ hPa 7.5 · 10 ⁻⁹ Torr 1 · 10 ⁻⁸ mbar
Pressure max. (absolute)	1,000 hPa 750 Torr 1,000 mbar
Bakeout temperature: actuator, pilot valve	60 °C 140 K -213.15 °F
Bakeout temperature: housing	150 °C 302 K -123.2 °F
Differential pressure in closing direction	1,400 hPa 1,050 Torr 1,400 mbar
Differential pressure in opening direction	1,400 hPa 1,050 Torr 1,400 mbar
Weight	3.2 kg 7.05 lb
Compressed air volume	112 cm ³
Connection flange	DN 63 ISO-K
Compressed air (overpressure)	6 000 – 8 000 hPa

Order number	HV Inline valve, DN 63 ISO-K, pneumatic, SS/FKM, "A"-dim. 210 mm
HV Inline valve, DN 63 ISO-K, pneumatic, SS/FKM, "A"-dim. 210 mm	AIVPA-S06200

Your Success. Our Passion.

We give our best for you every day –
worldwide!

Are you looking for an optimum vacuum solution?

Talk to us:
Pfeiffer Vacuum GmbH
Germany
T +49 6441 802-0

Or scan the barcode, to visit our web page:



<https://webportal.pfeiffer-vacuum.com/global/en/contact>



Errors and/or changes excepted. - 7/5/2024

Follow Us On Social Media
#pfeiffervacuum



PFEIFFER  **VACUUM**

www.pfeiffer-vacuum.com