



**HV Inline valve, DN 63 ISO-K,  
electro-pneumatic, PV 24 V  
DC, SS/FKM, "A"-dim. 210 mm**

---

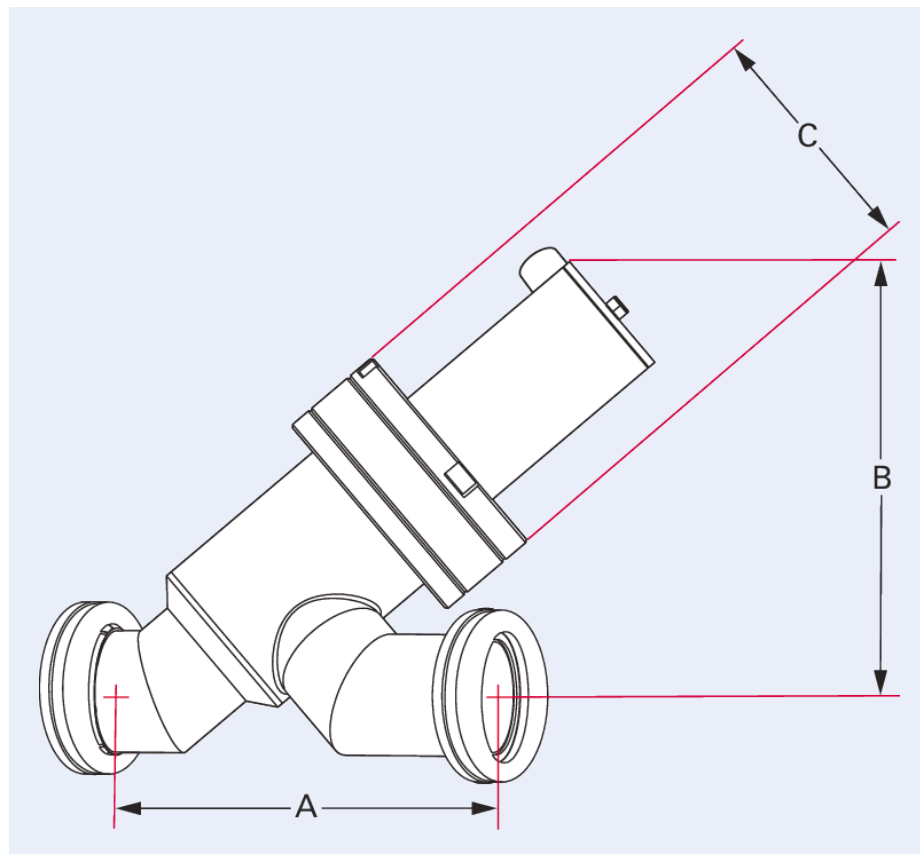




**HV Inline valve, DN 63 ISO-K, electro-pneumatic, PV 24 V DC, SS/FKM, "A"-dim. 210 mm**

- Double acting (air to open / air to close)
- With elastomer seals for high vacuum operation
- Additional bellows segments increase the service life
- Can be operated in any orientation
- Additional O-ring materials available

## Dimensions



A	210 mm
B	194 mm
C	100 mm

<b>Technical Data</b>	<b>HV Inline valve, DN 63 ISO-K, electro-pneumatic, PV 24 V DC, SS/FKM, "A"-dim. 210 mm</b>
Feedthrough	Bellows   Stainless steel
Power control valve	4.5 W
Seal	FKM
Control valve	Included
Type	HV Inline Valve
Temperature range	-20 – 150 °C
Housing	Stainless steel
Actuator	Electro-pneumatic
Input voltage(s)	24 V DC
Tightness	1 · 10 <sup>-11</sup> Pa m <sup>3</sup> /s   1.33 · 10 <sup>-9</sup> Torr l/s   1 · 10 <sup>-9</sup> mbar l/s
Conductance value with molecular flow	83 l/s
Operating pressure min.	1 · 10 <sup>-8</sup> hPa   7.5 · 10 <sup>-9</sup> Torr   1 · 10 <sup>-8</sup> mbar
Pressure max. (absolute)	1,000 hPa   750 Torr   1,000 mbar
Bakeout temperature: actuator, pilot valve	60 °C   140 K   -213.15 °F
Bakeout temperature: housing	150 °C   302 K   -123.2 °F
Differential pressure in closing direction	1,400 hPa   1,050 Torr   1,400 mbar
Differential pressure in opening direction	1,400 hPa   1,050 Torr   1,400 mbar
Weight	3.2 kg   7.05 lb
Compressed air volume	112 cm <sup>3</sup>
Connection flange	DN 63 ISO-K
Closing/opening time	0.75 s/0.5 s
Compressed air (overpressure)	6 000 – 8 000 hPa

<b>Order number</b>	<b>HV Inline valve, DN 63 ISO-K, electro-pneumatic, PV 24 V DC, SS/FKM, "A"-dim. 210 mm</b>
<b>HV Inline valve, DN 63 ISO-K, electro-pneumatic, PV 24 V DC, SS/FKM, "A"-dim. 210 mm</b>	<b>AIVPA-S06202</b>

## Your Success. Our Passion.

We give our best for you every day –  
worldwide!

Are you looking for an optimum vacuum solution?

**Talk to us:**  
Pfeiffer Vacuum GmbH  
**Germany**  
**T +49 6441 802-0**

Or scan the barcode, to visit our web page:



<https://webportal.pfeiffer-vacuum.com/global/en/contact>



Errors and/or changes excepted. - 7/5/2024

Follow Us On Social Media  
#pfeiffervacuum



**PFEIFFER**  **VACUUM**

[www.pfeiffer-vacuum.com](http://www.pfeiffer-vacuum.com)