



**HV Inline valve, N-series,  
DN 40 ISO-KF, electro-  
pneumatic, PI (PNP)/PV 24 V  
DC, SS/FKM**

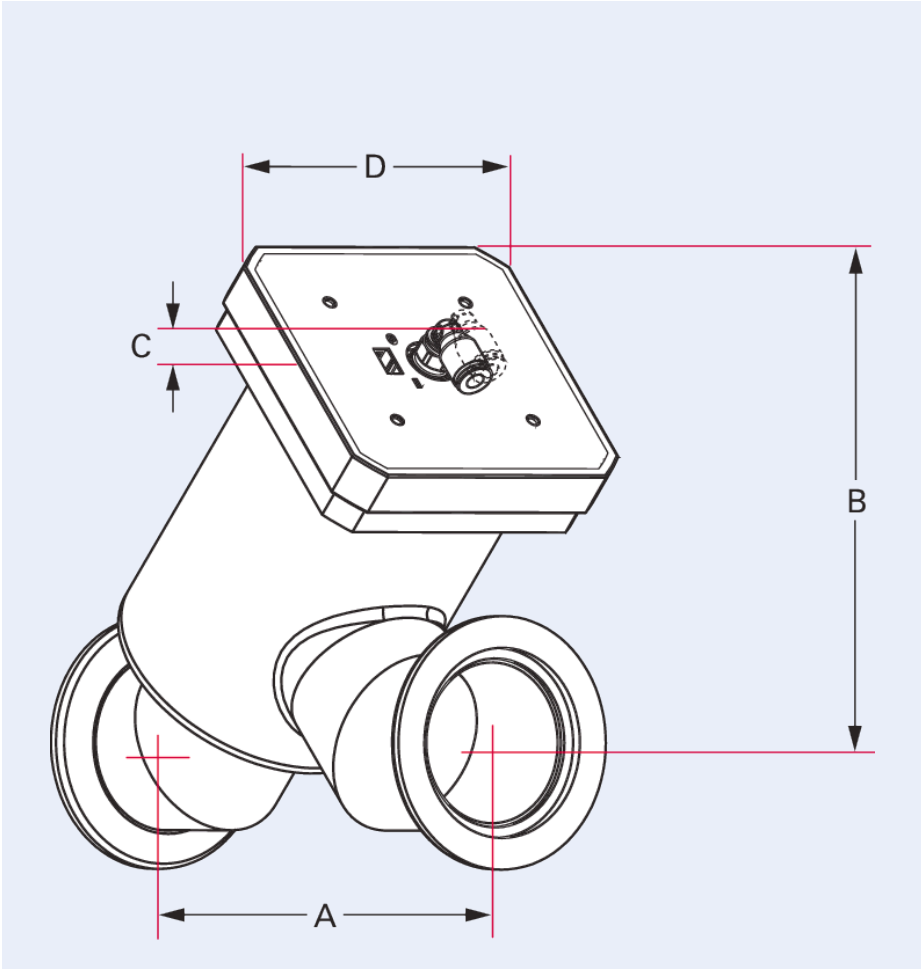




**HV Inline valve, N-series, DN 40 ISO-KF, electro-pneumatic, PI (PNP)/PV 24 V DC, SS/FKM**

- Single acting, normally closed (air to open / spring to close)
- The actuators can be removed quickly for inspection/maintenance without disassembling the system
- Can be operated in any orientation
- Heaters and insulators available
- Additional O-ring materials available

### Dimensions



<b>Technical Data</b>	<b>HV Inline valve, N-series, DN 40 ISO-KF, electro-pneumatic, PI (PNP)/PV 24 V DC, SS/FKM</b>
Feedthrough	Bellows   Stainless steel
Power control valve	4.5 W
Seal	FKM
Control valve	Included
Position indicator	Included
Type	HV Inline Valve
Position indicator: Load capacity	24 V DC / 0.02 A
Temperature range	-20 – 150 °C
Housing	Stainless steel
Actuator	Electro-pneumatic
Input voltage(s)	24 V DC
Tightness	1 · 10 <sup>-11</sup> Pa m <sup>3</sup> /s   1.33 · 10 <sup>-9</sup> Torr l/s   1 · 10 <sup>-9</sup> mbar l/s
Conductance value with molecular flow	37 l/s
Operating pressure min.	1 · 10 <sup>-8</sup> hPa   7.5 · 10 <sup>-9</sup> Torr   1 · 10 <sup>-8</sup> mbar
Pressure max. (absolute)	1,000 hPa   750 Torr   1,000 mbar
Bakeout temperature: actuator, pilot valve	60 °C   140 K   -213.15 °F
Bakeout temperature: housing	150 °C   302 K   -123.2 °F
Differential pressure in closing direction	1,400 hPa   1,050 Torr   1,400 mbar
Differential pressure in opening direction	1,400 hPa   1,050 Torr   1,400 mbar
Weight	1.3 kg   2.87 lb
Compressed air volume	31 cm <sup>3</sup>
Connection flange	DN 40 ISO-KF
Closing/opening time	0.7 s/0.5 s
Compressed air (overpressure)	4 000 – 7 000 hPa

<b>Order number</b>	<b>HV Inline valve, N-series, DN 40 ISO-KF, electro-pneumatic, PI (PNP)/PV 24 V DC, SS/FKM</b>
<b>HV Inline valve, N-series, DN 40 ISO-KF, electro-pneumatic, PI (PNP)/PV 24 V DC, SS/FKM</b>	<b>NAIP-S04122</b>

## Your Success. Our Passion.

We give our best for you every day –  
worldwide!

Are you looking for an optimum vacuum solution?

Talk to us:

Pfeiffer Vacuum Components & Solutions GmbH Germany

T +49 551 99963-0

info-cs@pfeiffer-vacuum.com

Or scan the barcode, to visit our web page:



<https://webportal.pfeiffer-vacuum.com/global/en/contact>



Errors and/or changes excepted. - 7/5/2024

Follow Us On Social Media  
#pfeiffervacuum



**PFEIFFER**  **VACUUM**

[www.pfeiffer-vacuum.com](http://www.pfeiffer-vacuum.com)