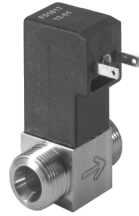


**RME 005 A, Gas regulating  
valve, solenoid actuated,  
control range from 0.017 to 1.7  
hPa l/s**

---

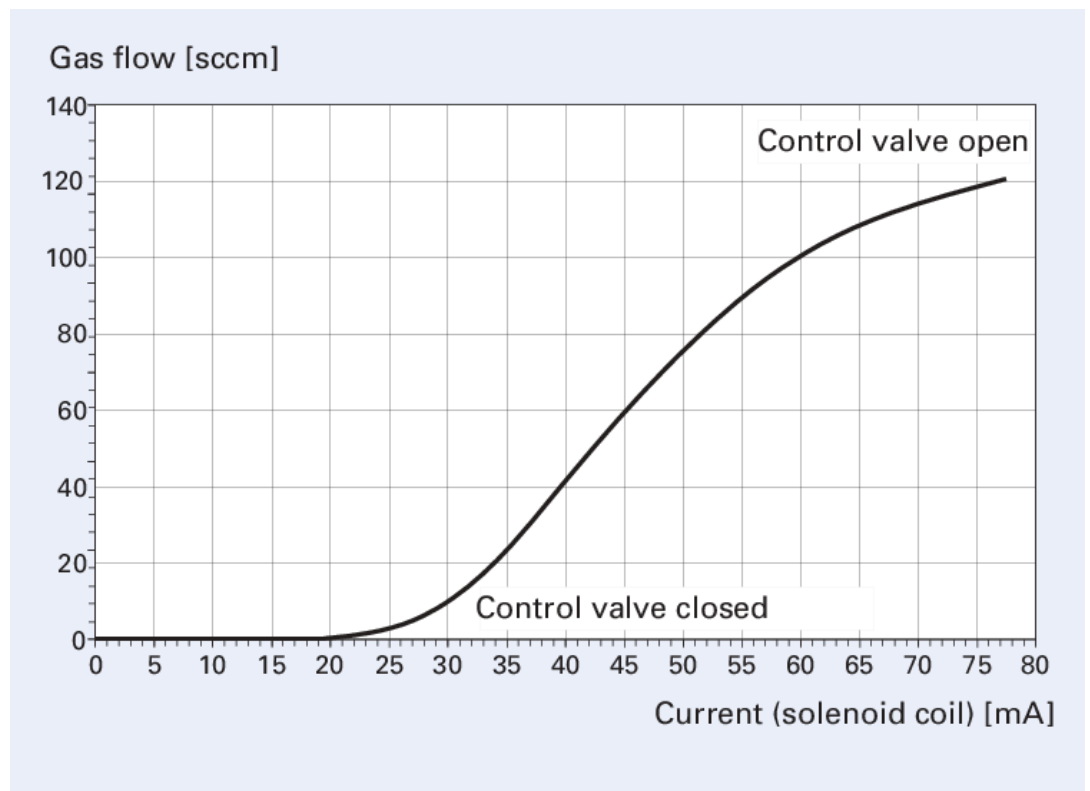




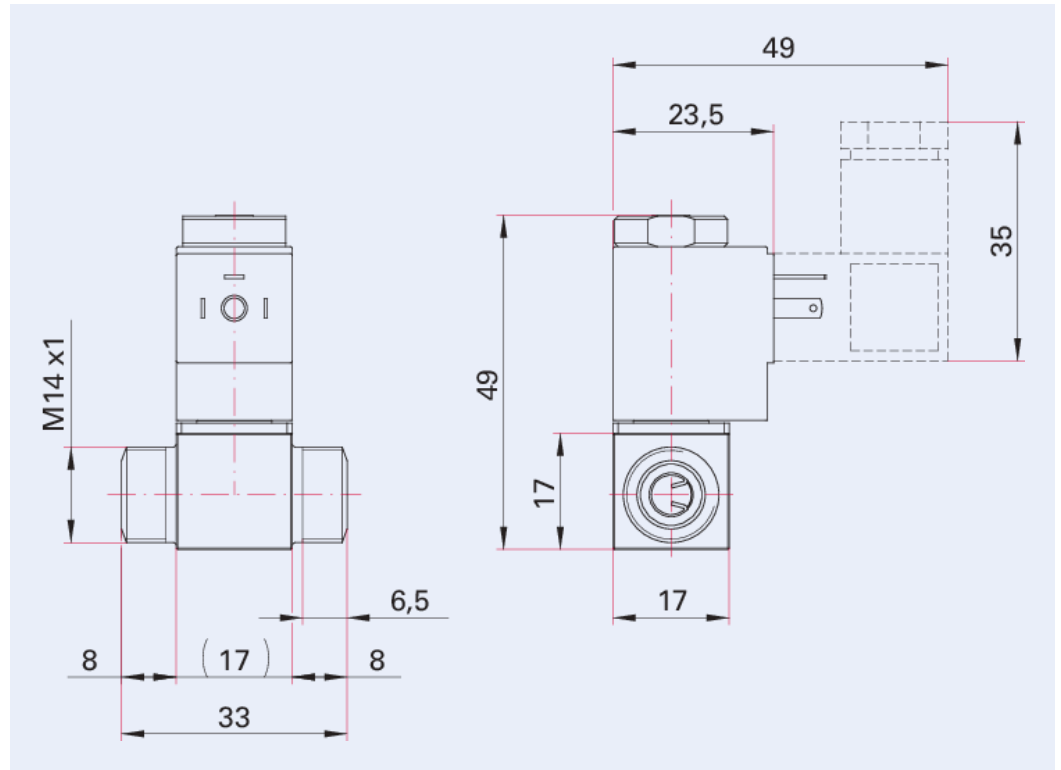
**RME 005 A, Gas regulating valve, solenoid actuated, control range from 0.017 to 1.7 hPa l/s**

- Two connections and a connection cable required as accessories
- Drive: Solenoid
- Regulating range from 0.017 to 1.7 hPa l/s
- Normally closed (n. c.)

### Characteristics



## Dimensions



<b>Technical Data</b>	<b>RME 005 A, Gas regulating valve, solenoid actuated, control range from 0.017 to 1.7 hPa l/s</b>
Gas flow min. controllable	$1.7 \cdot 10^{-2}$ hPa·l/s
Gas flow max. controllable	$1.7 \cdot 10^0$ hPa·l/s
Duty cycle	100 %
Supply: Power consumption max.	2.5 W
Control voltage	0 – 24 V DC
Seal	FKM
Type	Gas control valve
Ambient temperature	5 – 50 °C
Housing	Stainless steel
Mounting orientation	Arbitrary
Actuator	Electromagnetic
Control	RVC 300
Tightness	$1 \cdot 10^{-10}$ Pa m <sup>3</sup> /s   $1.33 \cdot 10^{-8}$ Torr l/s   $1 \cdot 10^{-8}$ mbar l/s
Pressure max.	2,000 hPa   1,500 Torr   2,000 mbar
Min. controllable gas flow	$1.7 \cdot 10^{-2}$ hPa·l/s
Max. controllable gas flow	$1.7 \cdot 10^0$ hPa·l/s
Bakeout temperature: actuator, de-energized	80 °C   176 K   -193.2 °F
Pressure min.	$1 \cdot 10^{-8}$ hPa   $7.5 \cdot 10^{-9}$ Torr   $1 \cdot 10^{-8}$ mbar
Weight	96 g
Pressure max.	2,000 hPa
Response time	30 ms
Power consumption max.	2.5 W
Connection flange	DN 5 mm M14x1 Thread
Weight	96 g

<b>Order number</b>	<b>RME 005 A, Gas regulating valve, solenoid actuated, control range from 0.017 to 1.7 hPa l/s</b>
<b>RME 005 A, Gas regulating valve, solenoid actuated, control range from 0.017 to 1.7 hPa l/s</b>	<b>PF 113 934</b>

## Your Success. Our Passion.

We give our best for you every day –  
worldwide!

**Are you looking for an optimum vacuum solution?**

**Talk to us:**

Pfeiffer Vacuum Components & Solutions GmbH Germany

T +49 551 99963-0

info-cs@pfeiffer-vacuum.com

Or scan the barcode, to visit our web page:



<https://webportal.pfeiffer-vacuum.com/global/en/contact>



Errors and/or changes excepted. - 7/14/2024

Follow Us On Social Media  
#pfeiffervacuum



**PFEIFFER**  **VACUUM**

[www.pfeiffer-vacuum.com](http://www.pfeiffer-vacuum.com)