

**RME 005 A, Gas
regulating valve,
solenoid actuated,
Control Range from 0.85
to 85 hPa l/s**



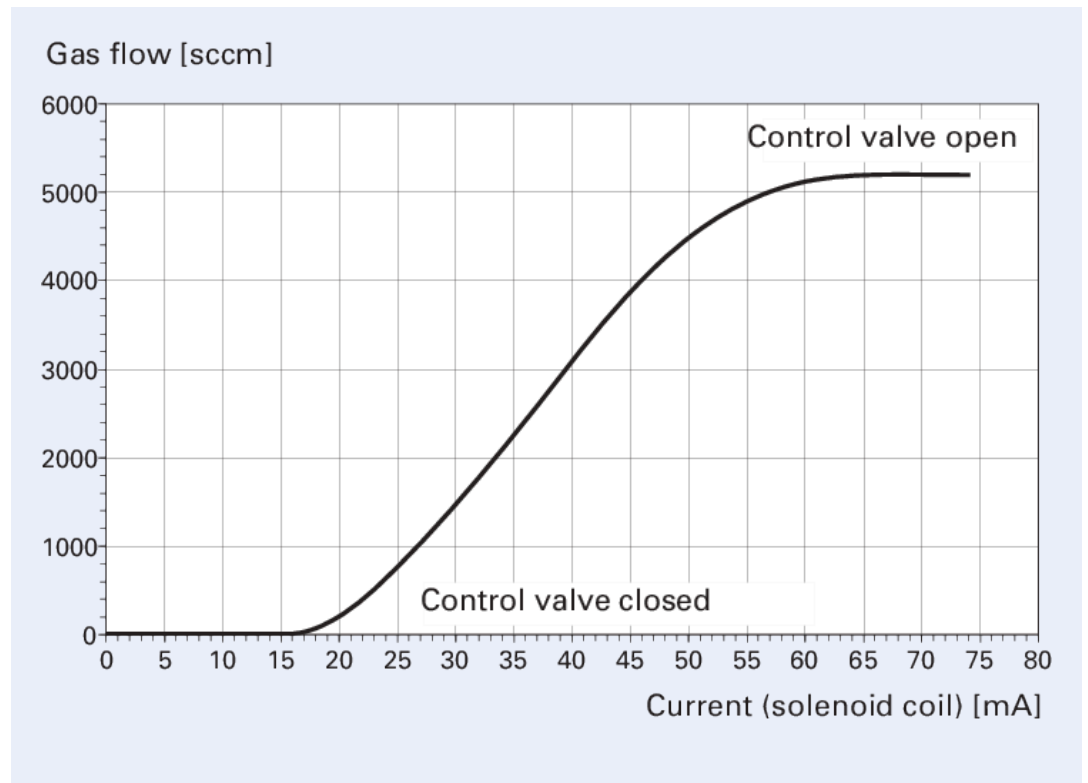
RME 005 A



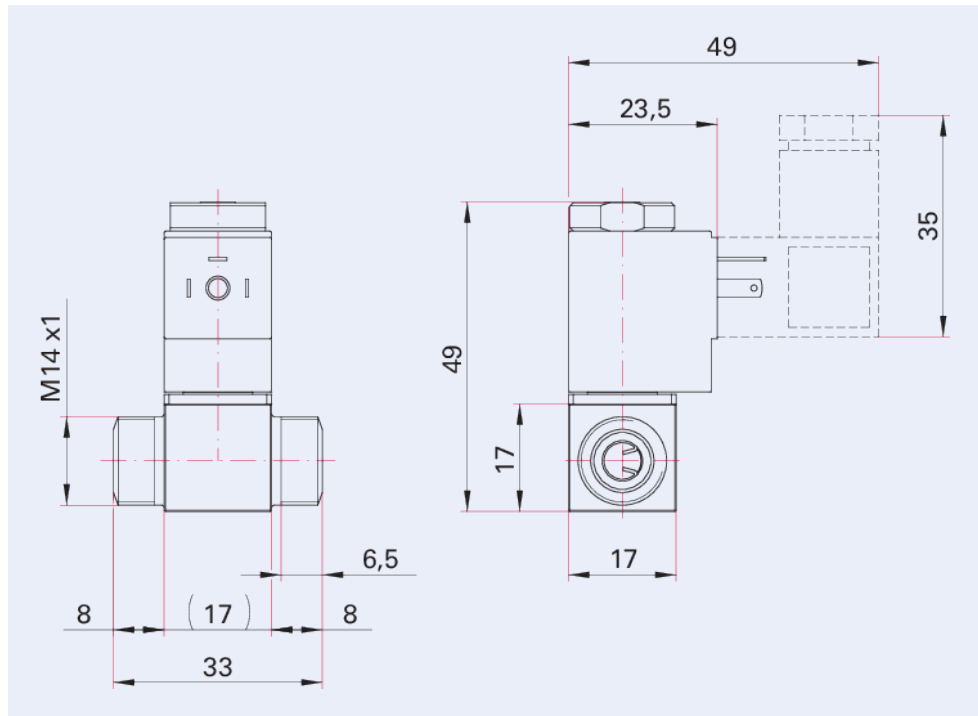
RME 005 A, Gas regulating valve, solenoid actuated, Control Range from 0.85 to 85 hPa l/s

- Two connections and a connection cable required as accessories
- Drive: Solenoid
- Regulating range from 0.85 to 85 hPa l/s
- Normally closed (n. c.)

Characteristics



Dimensions



Technical Data	RME 005 A, Gas regulating valve, solenoid actuated, Control Range from 0.85 to 85 hPa l/s
Gas flow min. controllable	$8.5 \cdot 10^{-1}$ hPa·l/s
Gas flow max. controllable	$8.5 \cdot 10^1$ hPa·l/s
Duty cycle	100 %
Supply: Power consumption max.	2.5 W
Control voltage	0 – 24 V DC
Seal	FKM
Type	Gas control valve
Ambient temperature	5 – 50 °C
Housing	Stainless steel
Mounting orientation	Arbitrary
Actuator	Electromagnetic
Control	RVC 300
Tightness	$1 \cdot 10^{-10}$ Pa m ³ /s $1.33 \cdot 10^{-8}$ Torr l/s $1 \cdot 10^{-8}$ mbar l/s
Min. controllable gas flow	$8.5 \cdot 10^{-1}$ hPa·l/s
Max. controllable gas flow	$8.5 \cdot 10^1$ hPa·l/s
Operating pressure min.	$1 \cdot 10^{-8}$ hPa $7.5 \cdot 10^{-9}$ Torr $1 \cdot 10^{-8}$ mbar
Pressure max. (absolute)	2,000 hPa 1,500 Torr 2,000 mbar
Bakeout temperature: actuator, de-energized	80 °C 176 K -193.2 °F
Weight	96 g
Response time	30 ms
Operating pressure min.	$1 \cdot 10^{-8}$ hPa
Pressure max. (absolute)	2,000 hPa
Power consumption max.	2.5 W
Connection flange	DN 5 mm M14x1 Thread
Weight	96 g

Order number	RME 005 A, Gas regulating valve, solenoid actuated, Control Range from 0.85 to 85 hPa l/s
RME 005 A, Gas regulating valve, solenoid actuated, Control Range from 0.85 to 85 hPa l/s	PF I13 931

Your Success. Our Passion.

We give our best for you every day –
worldwide!

Are you looking for an optimum vacuum solution?

Talk to us:

Pfeiffer Vacuum Components & Solutions GmbH Germany

T +49 551 99963-0

info-cs@pfeiffer-vacuum.com

Or scan the barcode, to visit our web page:



<https://webportal.pfeiffer-vacuum.com/global/en/contact>



Errors and/or changes excepted. - 9/6/2024

Follow Us On Social Media
#pfeiffervacuum



www.pfeiffer-vacuum.com

PFEIFFER  **VACUUM**