

**EVN 116**

Dosing Valve

# Operating Instructions

## Product Identification

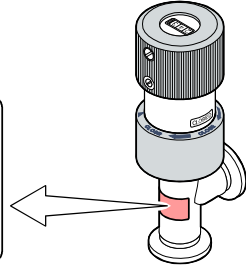
In all communications with Pfeiffer Vacuum, please specify the information on the product nameplate. For convenient reference copy that information into the space provided below.

Pfeiffer Vacuum, D-35614 Asslar

Type: .....

No: .....

F-No: .....



## Validity

This document applies to products with part number PF 132 031.

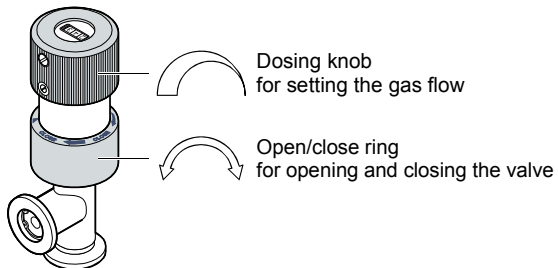
The part number (No) can be taken from the product nameplate.

## Intended Use

The manually actuated EVN 116 Dosing valve is used for both, gas dosing and shutting off a defined gas flow without changing the gas flow setting.

The EVN 116 must not be used in connection with liquid gases.

## Functional Principle



Rotating the dosing knob translates into a linear movement and places the dosing needle reproducibly in the desired position.



Rotating the Open/close ring positions the valve plate. These movements are independent of each other.

## **Scope of Delivery**

- 1× valve
- 1× Operating Instructions German
- 1× Operating Instructions English
- 1× Safety Guide

## Contents

Product Identification	2
Validity	2
Intended Use	2
Functional Principle	2
Scope of Delivery	3
<b>1 Safety</b>	<b>5</b>
1.1 Symbols Used	5
1.2 Personnel Qualifications	5
1.3 General Safety Instructions	6
1.4 Liability and Warranty	6
<b>2 Technical Data</b>	<b>7</b>
<b>3 Installation</b>	<b>9</b>
<b>4 Operation</b>	<b>11</b>
<b>5 Gas Flow</b>	<b>13</b>
5.1 Gas Flow Curve	13
5.2 Conversion Table	13
<b>6 Deinstallation</b>	<b>14</b>
<b>7 Maintenance</b>	<b>16</b>
<b>8 Repair</b>	<b>19</b>
<b>9 Accessories</b>	<b>20</b>
<b>10 Storage</b>	<b>21</b>
<b>11 Returning the Product</b>	<b>21</b>
<b>12 Disposal</b>	<b>22</b>

For cross-references within this document, the symbol (→  XY) is used, for cross-references to other documents, the symbol (→  [Z]).

## 1 Safety

### 1.1 Symbols Used



#### **DANGER**

Information on preventing any kind of physical injury.



#### **WARNING**

Information on preventing extensive equipment and environmental damage.



#### **Caution**

Information on correct handling or use. Disregard can lead to malfunctions or minor equipment damage.

### 1.2 Personnel Qualifications



#### **Skilled personnel**

All work described in this document may only be carried out by persons who have suitable technical training and the necessary experience or who have been instructed by the end-user of the product.

### 1.3 General Safety Instructions

- Adhere to the applicable regulations and take the necessary precautions for the process media used.
- Adhere to the applicable regulations and take the necessary precautions for all work you are going to do and consider the safety instructions in this document.
- Before beginning to work, find out whether any vacuum components are contaminated. Adhere to the relevant regulations and take the necessary precautions when handling contaminated parts.

Communicate the safety instructions to all other users.

### 1.4 Liability and Warranty

Pfeiffer Vacuum assumes no liability and the warranty becomes null and void if the end-user or third parties

- disregard the information in this document
- use the product in a non-conforming manner
- make any kind of interventions (modifications, alterations etc.) on the product
- use the product with accessories not listed in the corresponding product documentation.

The end-user assumes the responsibility in conjunction with the process media used.

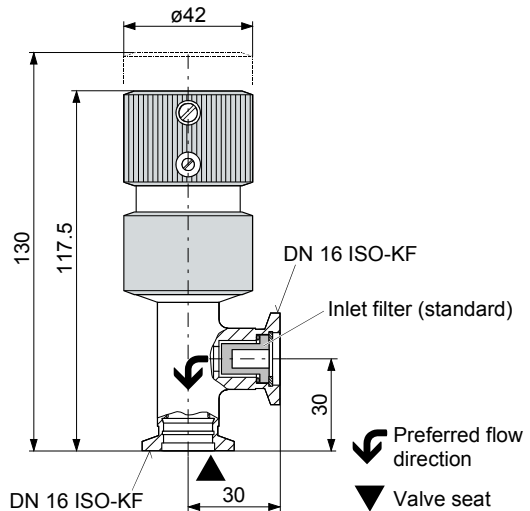
Failures due to contamination or wear and tear, as well as expendable parts (e.g. seals, filter), are not covered by the warranty.

## 2 Technical Data

Connection flanges	DN 16 ISO-KF
Mounting orientation	any
Dosing range	$5 \times 10^{-6} \dots 1000$ mbar l/s
Tightness	$1 \times 10^{-9}$ mbar l/s
Pressure difference	$\leq 2.5$ bar
Operating temperature	$\leq 80$ °C
Bakeout temperature	$\leq 150$ °C *)
Storage temperature	$5 \dots 40$ °C
Dead volume	$0.032$ cm <sup>3</sup>
Materials	
Housing, needle, filter	stainless steel
Dosing sleeve	fluor plastomer
Seal	FPM75
Weight	400 g

\*) at the flange connections

### Dimensions

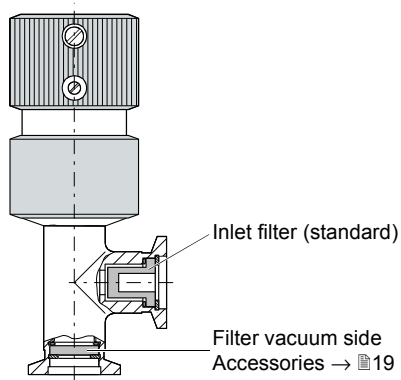


**Gas flow with standard filter 1250 mbar l/s**

**Gas flow without standard filter 3100 mbar l/s**

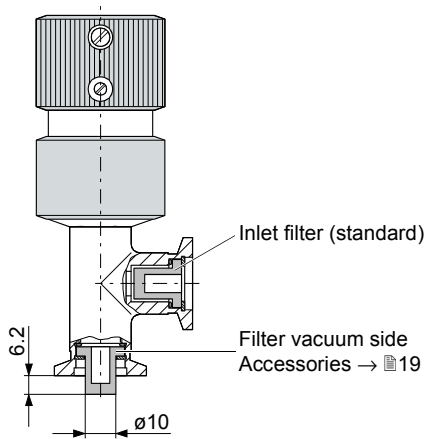
Accessories

Filter



**Gas flow 700 mbar l/s**

Filter



**Gas flow 1000 mbar l/s**



### 3 Installation

#### DANGER



**DANGER:** overpressure in the vacuum system >1 bar

Injury caused by released parts and harm caused by escaping process gases can result if clamps are opened while the vacuum system is pressurized.

Do not open any clamps while the vacuum system is pressurized. Use the type of clamps which are suited to overpressure.

#### Caution



**Caution:** dirt sensitive area

Touching the product or parts thereof with bare hands increases the desorption rate.

Always wear clean, lint-free gloves and use clean tools when working in this area.

#### Caution



**Caution:** vacuum component

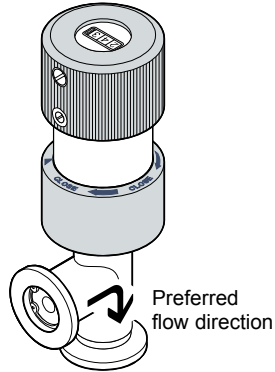
Dirt and damages impair the function of the vacuum component.

When handling vacuum components, take appropriate measures to ensure cleanliness and prevent damages.



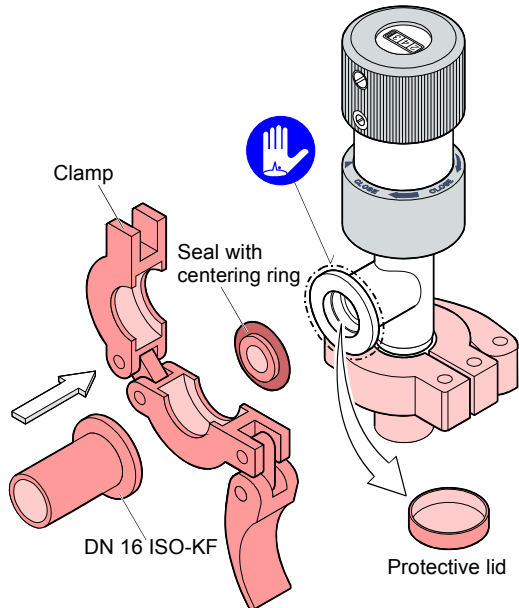
Keep the protective lids.

### Flow direction




### Vacuum connection

Remove the protective lids and connect the valve to the vacuum system using the small flange connections.




## 4 Operation

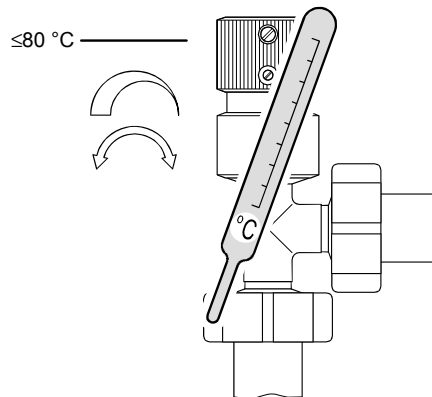
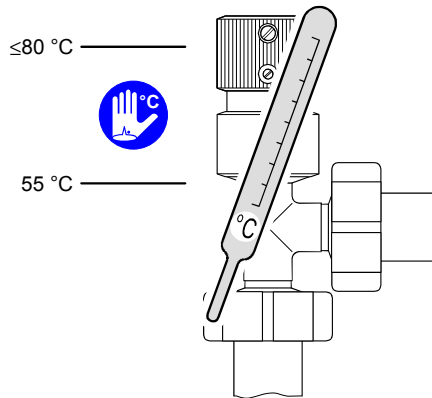
The product is ready for operation as soon as it has been installed.

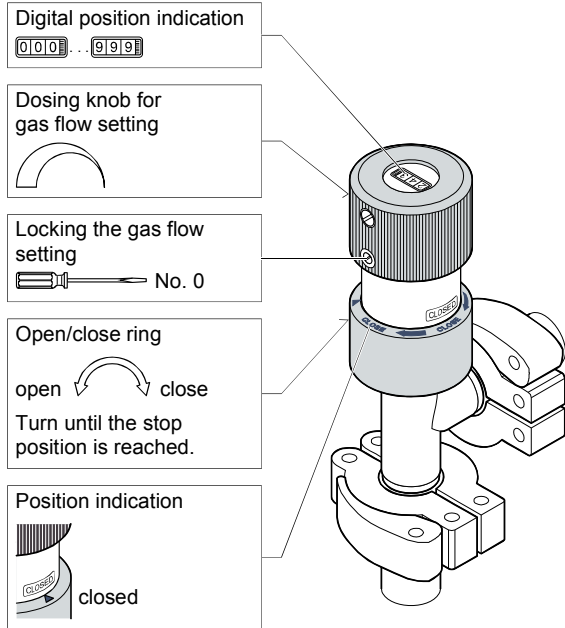


**DANGER**



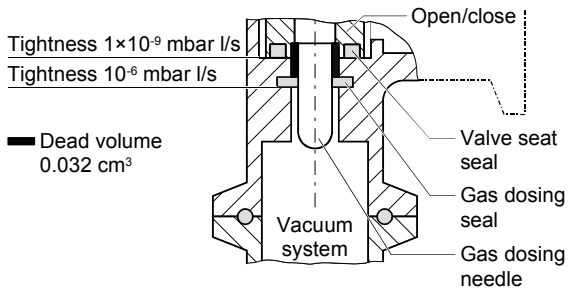
**DANGER: hot surface**  
 Touching the hot surface (>55 °C) can cause burns.  
 Wear protective gloves.





### Dead volume

Due to the gas dosing and valve seat seals, there is a dead volume of 0.032 cm<sup>3</sup>.



If the pressure in the dead volume is higher than in the vacuum system, the pressure between the dead volume and the vacuum system is compensated. During the compensation phase, one could come to the **false** conclusion that the valve is not tight.

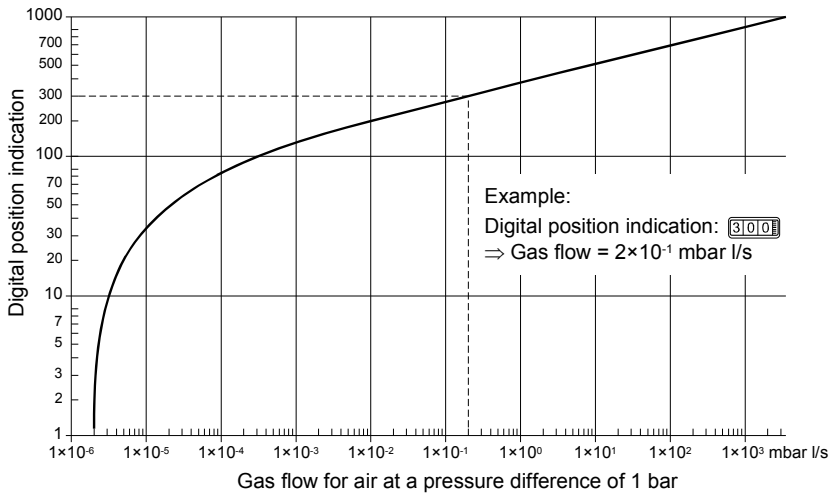
Leak flow rate for pressure compensation =  $10^{-6}$  mbar l/s × pressure difference

## 5 Gas Flow

### 5.1 Gas Flow Curve

Using the gas flow curve, the digital indication on the dosing knob and the gas flow can be related to each other.

The gas flow rates in the diagram are mean values.



### 5.2 Conversion Table

Gas flow

	mbar l/s	Torr l/s	sccm	atm cm <sup>3</sup> /s
mbar l/s	1	0.75	59.2	0.987
Torr l/s	1.33	1	78.9	1.32
sccm	$1.69 \times 10^{-2}$	$1.27 \times 10^{-2}$	1	$1.67 \times 10^{-2}$
atm cm <sup>3</sup> /s	1.01	0.76	59.8	1

## 6 Deinstallation

 **DANGER**

**DANGER: contaminated parts**

Contaminated parts can be detrimental to health and environment.

Before beginning to work, find out whether any parts are contaminated. Adhere to the relevant regulations and take the necessary precautions when handling contaminated parts.

**Caution**

**Caution: vacuum component**

Dirt and damages impair the function of the vacuum component.

When handling vacuum components, take appropriate measures to ensure cleanliness and prevent damages.

**Caution**

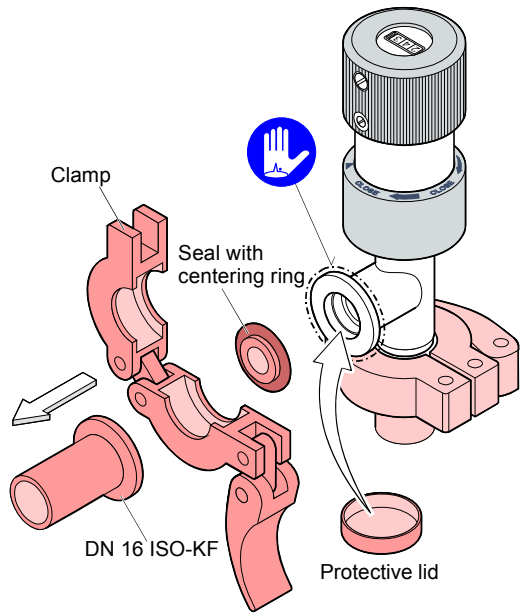
**Caution: dirt sensitive area**

Touching the product or parts thereof with bare hands increases the desorption rate.

Always wear clean, lint-free gloves and use clean tools when working in this area.

- 1** Vent the vacuum system and let it cool down to <math>< 55\text{ }^{\circ}\text{C}</math>.

- 2 Remove the small flange fittings and put the protective lids in place.

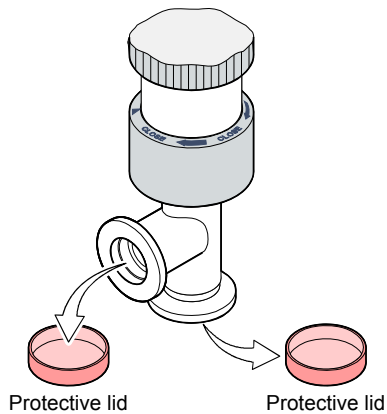


## 7 Maintenance

Failures due to contamination or wear and tear, as well as expendable parts (e.g. seals, filter), are not covered by the warranty.

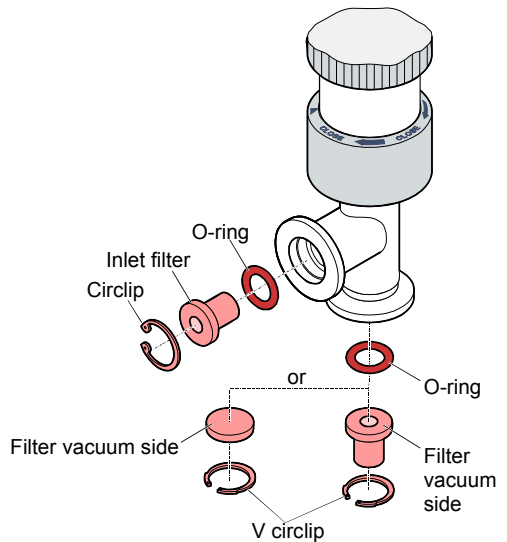
Cleaning the filter(s)

- ➊ Remove the valve from the vacuum system according to section "Deinstallation".
- ➋ Remove the protective lids.








3 Remove the filter(s).




4 Clean the filter(s) with alcohol.

 <b>DANGER</b>	
	<p><b>DANGER: cleaning agents</b>                  Cleaning agents can be detrimental to health and environment.</p> <p>Adhere to the relevant regulations and take the necessary precautions when handling cleaning agents and disposing of them. Consider possible reactions with the product materials (→ 6).</p>

- 5 Dry the filter(s) with compressed air.

**DANGER**



**DANGER:** compressed air  
Unprofessionally handling compressed air can cause physical injuries.  
Adhere to the relevant regulations and take the necessary precautions when handling compressed air.



The compressed air must meet the following specifications:

- free of oil
- dry
- free of particles >25 µm

- 5 Reinstall the filter and connect the Dosing valve to the vacuum system according to section "Installation".

## 8 Repair

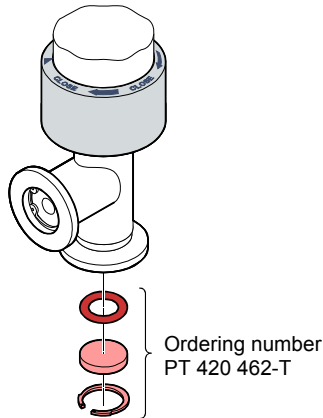
We recommend returning the product to your local Pfeiffer Vacuum service center for repair.

Pfeiffer Vacuum assumes no liability and the warranty becomes null and void if any repair work is carried out by the end-user or third parties.

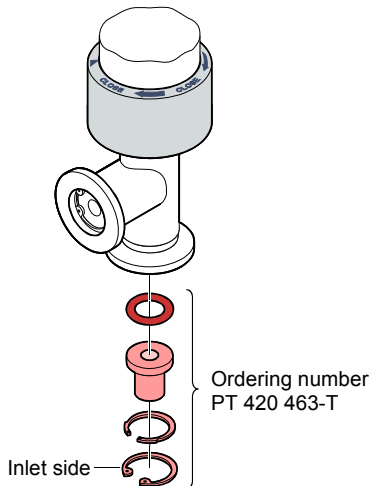
## 9 Accessories

If the dosing needle can be contaminated by the process, installing a filter at the vacuum port of the valve is strongly recommended.

Filter vacuum side  
(gas flows 700 mbar l/s)



Filter vacuum side  
(gas flow 1000 mbar l/s)



## 10 Storage




### Caution



Caution: vacuum component

Inappropriate storage leads to an increase of the desorption rate and/or may result in mechanical damage of the product.

Cover the vacuum ports of the product with protective lids or grease free aluminum foil. Do not exceed the admissible storage temperature range (→  7).

## 11 Returning the Product



### WARNING



WARNING: forwarding contaminated products

Contaminated products (e.g. radioactive, toxic, caustic or biological hazard) can be detrimental to health and environment.


Products returned to Pfeiffer Vacuum should preferably be free of harmful substances. Adhere to the forwarding regulations of all involved countries and forwarding companies and enclose a duly completed declaration of contamination<sup>\*)</sup>.


<sup>\*)</sup> Form under [www.pfeiffer-vacuum.net](http://www.pfeiffer-vacuum.net)

Products that are not clearly declared as "free of harmful substances" are decontaminated at the expense of the customer.


Products not accompanied by a duly completed declaration of contamination are returned to the sender at his own expense.


## 12 Disposal


**DANGER**



**DANGER: contaminated parts**  
 Contaminated parts can be detrimental to health and environment.  
 Before beginning to work, find out whether any parts are contaminated. Adhere to the relevant regulations and take the necessary precautions when handling contaminated parts.


**WARNING**



**WARNING: substances detrimental to the environment**  
 Products or parts thereof (mechanical and electric components, operating fluids etc.) can be detrimental to the environment.  
 Dispose of such substances in accordance with the relevant local regulations.

Separating the components

After disassembling the product, separate its components according to the following criteria:

Contaminated components

Contaminated components (radioactive, toxic, caustic, or biological hazard etc.) must be decontaminated in accordance with the relevant national regulations, separated according to their materials, and disposed of.

Other components

Such components must be separated according to their materials and recycled.

## Notes

**Leading. Dependable.  
Customer Friendly.**

Pfeiffer Vacuum stands for innovative and custom vacuum solutions worldwide. For German engineering art, competent advice and reliable services.

Ever since the invention of the turbopump, we've been setting standards in our industry. And this claim to leadership will continue to drive us in the future.

**You are looking for a perfect vacuum solution? Please contact us:**

**Germany**  
Pfeiffer Vacuum GmbH  
Headquarters  
Tel.: +49 (0) 6441 802-0  
info@pfeiffer-vacuum.de

**Great Britain**  
Pfeiffer Vacuum Ltd.  
Tel.: +44 1908 500600  
sales@pfeiffer-vacuum.co.uk

**Austria**  
Pfeiffer Vacuum Austria GmbH  
Tel.: +43 1 894 17 04  
office@pfeiffer-vacuum.at

**Benelux**  
Pfeiffer Vacuum GmbH  
Sales & Service Benelux  
Tel.: +800-pfeiffer  
benelux@pfeiffer-vacuum.de

**India**  
Pfeiffer Vacuum India Ltd.  
Tel.: +91 40 2775 0014  
pfeiffer@vsnl.net

**Sweden**  
Pfeiffer Vacuum Scandinavia AB  
Tel.: +46 8 590 748 10  
sales@pfeiffer-vacuum.se

**China**  
Pfeiffer Vacuum  
(Shanghai) Co., Ltd.  
Tel.: +86 21 3393 3940  
info@pfeiffer-vacuum.cn

**Italy**  
Pfeiffer Vacuum Italia S.p.A.  
Tel.: +39 02 93 99 05 1  
contact@pfeiffer-vacuum.it

**Switzerland**  
Pfeiffer Vacuum (Schweiz) AG  
Tel.: +41 44 444 22 55  
info@pfeiffer-vacuum.ch

**France**  
Pfeiffer Vacuum France SAS  
Tel.: +33 169 30 92 82  
info@pfeiffer-vacuum.fr

**Korea**  
Pfeiffer Vacuum Korea Ltd.  
Tel.: +82 31 266 0741  
sales@pfeiffer-vacuum.co.kr

**United States**  
Pfeiffer Vacuum Inc.  
Tel.: +1 603 578 6500  
contact@pfeiffer-vacuum.com

