



**ASM 390, universal
voltage, outlet
DN 25 ISO-KF**



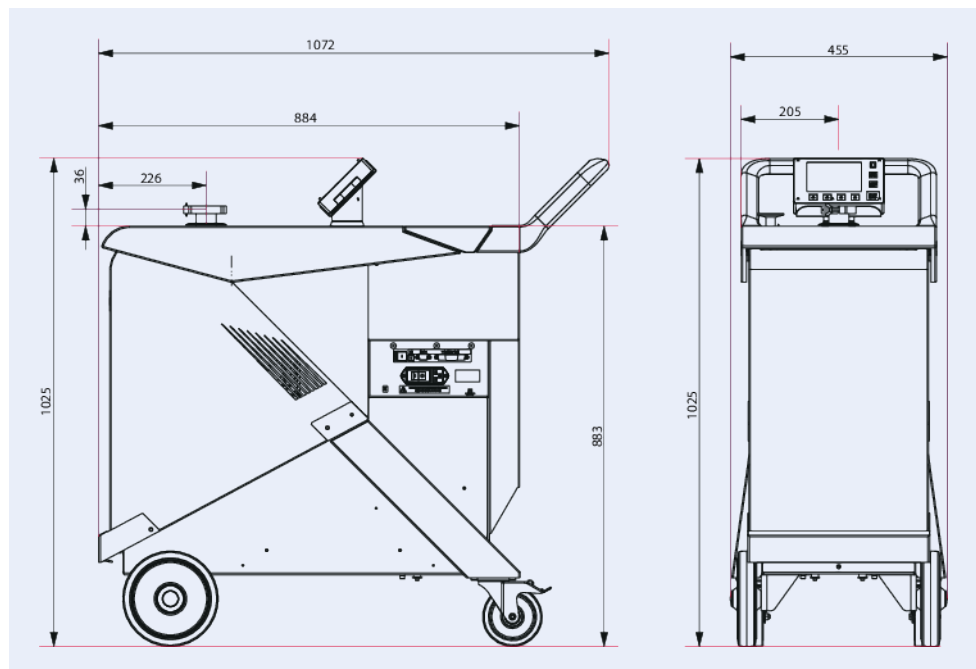
ASM 390



ASM 390, universal voltage, outlet DN 25 ISO-KF

- Dry and clean pump with high backing pump capacity (35 m³/h)
- Minimum test time: unrivalled performance on small and large specimens
- Slim design and high maneuverability
- Large color touch screen, fully rotatable and detachable without any tool
- Integrated toolbox for storing accessories
- Connectable DN 25 exhaust for connection to a general Fab exhaust

Dimensions



Technical Data	ASM 390, universal voltage, outlet DN 25 ISO-KF
Pumping speed backing pump	35 m ³ /h
Pumping speed for He	10 l/s
Test method	Vacuum leak detection Sniffing leak detection
I/O interfaces	RS-232
Interface: Connection, device side	Standard 15 pins I/O
Type	High performance - mobile
Minimum detectable leakage rate for helium (vacuum leak detection)	1 · 10 ⁻¹³ Pa m ³ /s
User interface	Graphic color touch screen (detachable)
Backing pump capacity	35 m ³ /h
Operating temperature	10 – 35 °C
Start-up time (20°C)	2 min
Input voltage(s)	100 – 240 V AC, 50/60 Hz
Emission sound pressure level (EN ISO 2151)	≤55 dB(A)
Start-up time (20°C)	2 min
Pumping speed for He	10 l/s
Minimum detectable leakage rate for helium (sniffing leak detection)	1 · 10 ⁻⁹ Pa m ³ /s 1.33 · 10 ⁻⁷ Torr l/s 1 · 10 ⁻⁷ mbar l/s
Weight	125 kg 275.58 lb
Detectable gases	⁴ He ³ He H ₂
Power consumption	800 W
Dimensions (L x W x H)	1072 x 455 x 1025 mm
Power consumption max.	1,600 W
Backing pump	With oil-free backing pump
Weight	125 kg
Connection flange (in)	DN 40 ISO-KF
Connection flange (out)	DN 25 ISO-KF

Order number	ASM 390, universal voltage, outlet DN 25 ISO-KF
ASM 390, universal voltage, outlet DN 25 ISO-KF	CSGB01G0MM9B

Your Success. Our Passion.

We give our best for you every day –
worldwide!

Are you looking for an optimum vacuum solution?

Talk to us:
Pfeiffer Vacuum GmbH
Germany
T +49 6441 802-0

Or scan the barcode, to visit our web page:



<https://webportal.pfeiffer-vacuum.com/global/en/contact>



Errors and/or changes excepted. - 9/7/2024

Follow Us On Social Media
#pfeiffervacuum



www.pfeiffer-vacuum.com

PFEIFFER  **VACUUM**