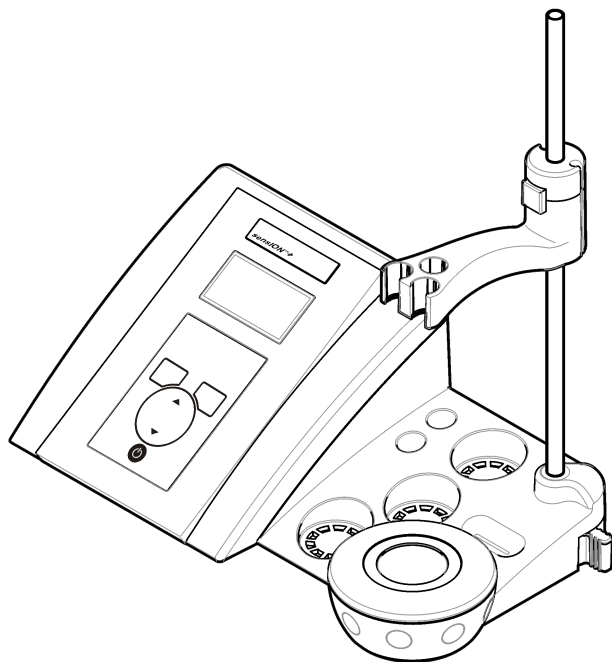




DOC022.97.90249

senSIOn™ + pH31

04/2011, Edition 1



User Manual
Manuel d'utilisation
Manual del usuario
Manual do usuário
用户手册
取扱説明書
사용 설명서
คู่มือผู้ใช้

English	3
Français	17
Español	34
Português	50
中文	66
日本語	80
한글	95
ไทย	110

Specifications

Specifications are subject to change without notice.

Specification	Details
Dimensions	35 x 20 x 11 cm (13.78 x 7.87 x 4.33 in.)
Weight	1100 g (2.43 lb)
Meter enclosure	IP42
Power requirements (external)	100–240 V, 0.4 A, 47-63 Hz
Meter protection class	Class II
Storage temperature	–15 to +65 °C (5 to +149 °F)
Operating temperature	0 to 40 °C (41 to 104 °F)
Operating humidity	< 80% (non-condensing)
Resolution	pH: 0.1/0.01/0.001, ORP: 0.1/1 mV, temperature: 0.1 °C (0.18 °F)
Measuring error (± 1 digit)	pH: ≤ 0.002, ORP: ≤ 0.2 mV, temperature: ≤ 0.2 °C (≤ 0.36 °F)
Reproducibility (± 1 digit)	pH: ± 0.001, ORP: ± 0.1 mV, temperature: ± 0.1 °C (± 0.18 °F)
Data storage	330 results and last 9 calibrations
Connections	Combined or indicator probe: BNC connector (Imp. >10 ¹² Ω); Reference electrode: banana connector; A.T.C. type Pt 1000: banana or telephonic connector; magnetic stirrer: RCA connector RS232C for printer or PC: telephonic connector; external PC keyboard: mini DIN connector
Temperature correction	Manual, Pt 1000 temperature probe (A.T.C.), NTC 10 kΩ probe Isopotential pH programmable, standard value 7.00

Specification	Details
Measurement display lock	Continuous measurement, by stability and by time lock
Display	Liquid crystal, backlit, 128 x 64 dots
Keyboard	PET with protective treatment
Certification	CE

General information

Revised editions are found on the manufacturer's website.

Safety information

Please read this entire manual before unpacking, setting up or operating this equipment. Pay attention to all danger and caution statements. Failure to do so could result in serious injury to the operator or damage to the equipment.

Make sure that the protection provided by this equipment is not impaired, do not use or install this equipment in any manner other than that specified in this manual.

Use of hazard information

DANGER

Indicates a potentially or imminently hazardous situation which, if not avoided, will result in death or serious injury.

WARNING

Indicates a potentially or imminently hazardous situation which, if not avoided, could result in death or serious injury.

CAUTION



Indicates a potentially hazardous situation that may result in minor or moderate injury.

NOTICE

Indicates a situation which, if not avoided, may cause damage to the instrument. Information that requires special emphasis.

Precautionary labels

Read all labels and tags attached to the instrument. Personal injury or damage to the instrument could occur if not observed. A symbol, if noted on the instrument, will be included with a danger or caution statement in the manual.

	<p>This symbol, if noted on the instrument, references the instruction manual for operation and/or safety information.</p>
	<p>Electrical equipment marked with this symbol may not be disposed of in European public disposal systems after 12 August of 2005. In conformity with European local and national regulations (EU Directive 2002/98/EC), European electrical equipment users must now return old or end-of-life equipment to the Producer for disposal at no charge to the user. <i>Note: For return for recycling, please contact the equipment producer or supplier for instructions on how to return end-of-life equipment, producer-supplied electrical accessories, and all auxiliary items for proper disposal.</i></p>

Product overview

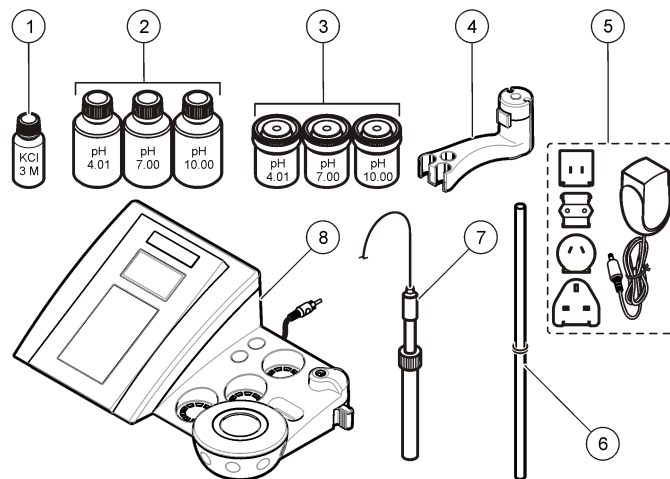
The sensION™+ meters are used with probes to measure various parameters in water.

The sensION™+ PH31 meter measures pH, ORP (mV) or temperature. Measurement data can be stored and transferred to a printer or PC.

Product components

Refer to [Figure 1](#) to make sure that all components have been received. If any items are missing or damaged, contact the manufacturer or a sales representative immediately.

Figure 1 Meter components

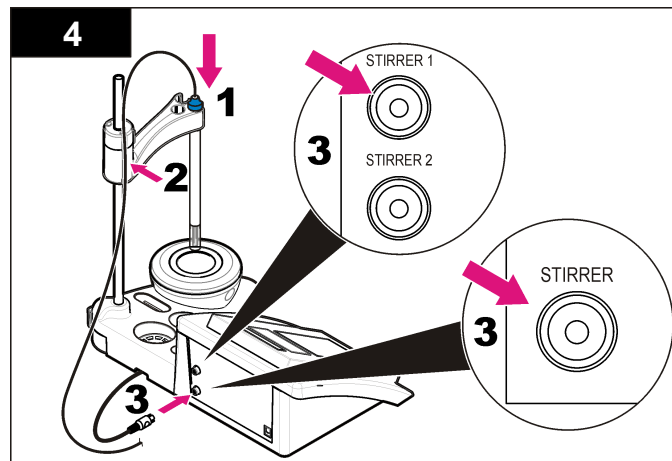
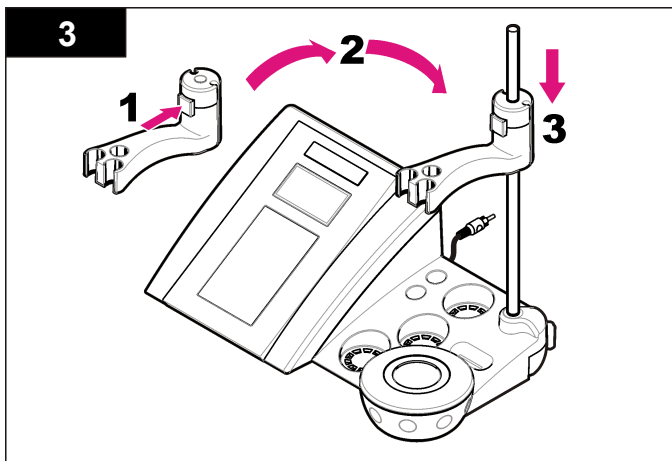
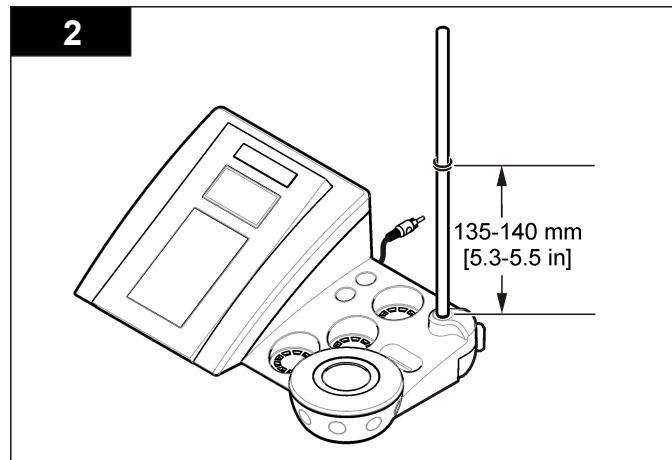
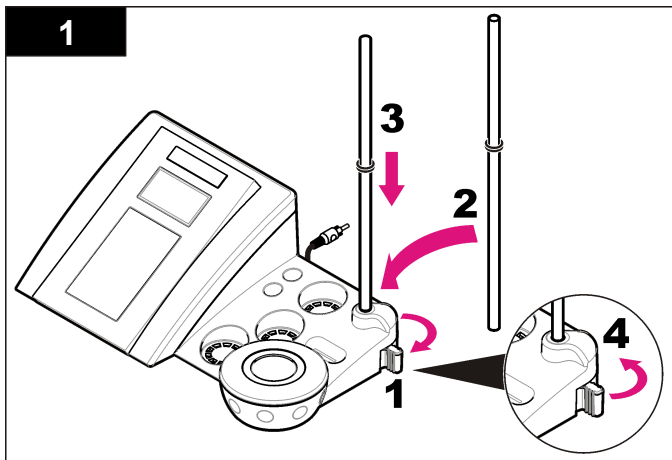


<p>1 Electrolyte for the probe</p>	<p>5 Power supply</p>
<p>2 Buffer solutions (pH 4.01, pH 7.00 and pH 10.00)</p>	<p>6 Rod with o-ring</p>
<p>3 Calibration beakers (with magnetic bar inside)</p>	<p>7 Probe (included with kits only)</p>
<p>4 Probe holder</p>	<p>8 Meter</p>

Installation


Assemble the probe holder

Follow the numbered steps to assemble the probe holder and to connect the magnetic stirrer.



Connect to AC power

⚠ **DANGER**

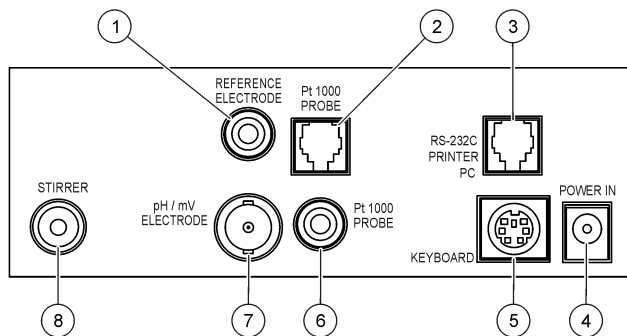


Electrocution hazard. If this equipment is used outdoors or in potentially wet locations, a Ground Fault Circuit Interrupt (GFCI/GFI) device must be used to connect the equipment to its main power source.

The meter can be powered by AC power with the universal power adapter.

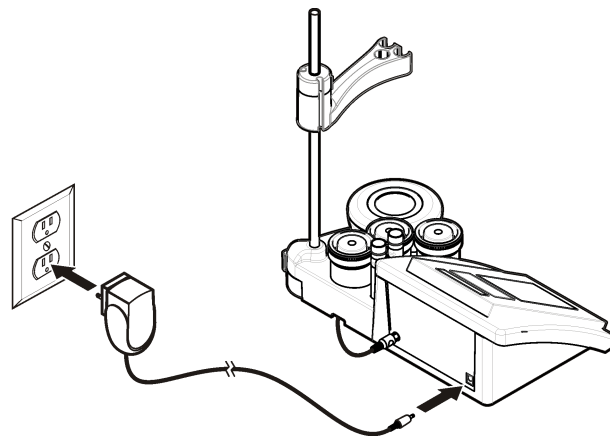
1. Select the correct adapter plug for the power outlet from the adapter kit.
2. Connect the universal power adapter to the meter (Figure 2).
3. Connect the universal power adapter to an AC receptacle (Figure 3).
4. Turn the meter on.

Figure 2 Connector panel



1 Reference electrode (separated electrodes) connector	5 PC keyboard, mini DIN connector
2 Separated temperature probe connector	6 Temperature probe connector
3 RS-232 for printer or PC connector	7 Combined pH electrode (or indicator) connector
4 Power supply	8 Magnetic stirrer connector

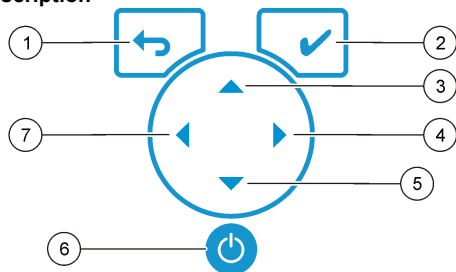
Figure 3 AC power connection



User interface and navigation

User interface

Keypad description

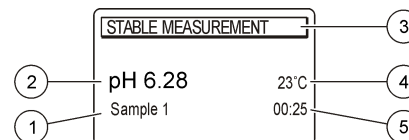


1 RETURN key: cancel or exit the current menu screen to the previous menu screen	5 DOWN key: scroll to other options, change a value
2 MEASUREMENT key: confirm the selected option	6 ON/OFF: turn on or turn off the meter
3 UP key: scroll to other options, change a value	7 LEFT key: change the measuring unit, enter numbers and letters
4 RIGHT key: change the measuring unit, enter numbers and letters	

Display description

The meter display shows the concentration, units, temperature, calibration status, operator ID, sample ID, date and time.

Figure 4 Single screen display



1 Sample ID	4 Sample temperature (°C or °F)
2 Measurement unit and value (pH, ORP (mV))	5 Visual measurement timer
3 Measurement mode or time and date	

Navigation

Use the to return to the previous menu. Use the measure key to take a sample measurement or to confirm options. Use the arrow keys to scroll to other options or to change a value. To change the parameters use the arrow keys and . Refer to each task for specific instructions.

Start-up

Turn the meter on and off

NOTICE

Make sure that the probe is connected to the meter before the meter is turned on.

Push to turn on or turn off the meter. If the meter does not turn on, make sure that the AC power supply is properly connected to an electrical outlet.

Change the language

The display language is selected when the meter is powered on for the first time.

1. Use the or to select a language from a list.
2. Confirm with . The measurement screen shows DATA OUTPUT.
3. Select Deactivated if no printer or PC is connected and confirm. Refer to [Select the data output](#) on page 10 for more information about Data Output.

Standard operations

Calibration

⚠ WARNING

Chemical exposure hazard. Obey laboratory safety procedures and wear all of the the personal protective equipment appropriate to the chemicals that are handled. Refer to the current material safety data sheets (MSDS) for safety protocols.

Calibration settings

The calibration settings contain Calibration type, Calibration frequency and Display options.

1. From the main menu use the ▲ or ▼ to select CALIBRATION. Confirm.
2. Use the ▲ to enter the calibration menu.
3. Use the ▲ or ▼ to select the following options:

Option	Description
Stability C.:	Criterion by stability—select Fast, Standard or Strict.
Calibration type	Calibration type—select Technical buffers, DIN19266 Buffers, User Buffers, To a X value, data introduction or Theoretical calibration. Refer to Calibration types for more information.
Cal. frequency	Calibration reminder—can be set between 0–7 days (default daily). The display shows the remaining time to the new calibration. Refer to Set the calibration reminder on page 9 for more information.
Display mV	Display mV—select YES or NO to show mV.
Standard 220 mV	Standard 220 mV—calibrate with a 220 mV standard solution
To a X value	To a X value—use a specific standard solution. Adjust the value during the calibration.
Data introduction	Data introduction Compensation—enter the compensation value
Factory adjust	Factory adjust—enter the compensation value

Calibration types

Different calibration types can be selected.

1. From the main menu use the ▲ or ▼ to select CALIBRATION. Confirm.
2. Use the ▲ to enter the calibration menu.
3. Use the ▲ or ▼ to select Calibration type.





Option	Description
Technical buffers	pH 2.00, 4.01, 7.00, 9.21 and 10.90 at 25 °C (77 °F)
DIN19266 Buffers	pH 1.679, 4.006, 6.865, 7.000, 9.180, 10.012 and 12.454
User Buffers	Selected when the technical or DIN19266 buffers are not used. Refer to Technical buffer solutions (DIN 19267) on page 16 for pH values of specific buffer sets at varying temperatures.
Calibration to a X value	To adjust manually any scale value of the measured pH.
Data introduction	Manual probe constant introduction.
Theoretical calibration	The probe calibration data is replaced at 25 °C (77 °F).

Calibration procedure

This procedure is for general use with liquid calibration solutions. Refer to the documents that are included with each probe for additional information.




Note: Solutions should be stirred during calibration. For more information about the stirring settings, refer to [Change the stirring settings](#) on page 11.

1. Pour the buffers or calibration solutions into the labeled calibration beakers.
2. From the main menu use the ▲ or ▼ and ◀ and ▶ to select the CALIBRATION parameter. Confirm.
3. If required select the Operator ID (1 to 10) and confirm.
4. Rinse the probe with deionized water and put the probe into the first calibration beaker. Be sure that there are no air bubbles in the membrane.

5. Push  to Start calibration.
6. Push  to measure the first calibration solution.
The next calibration solution is shown.
7. Rinse the probe with deionized water and put the probe into the first calibration beaker. Be sure that there are no air bubbles in the membrane.
8. Push  to measure the second calibration solution.
The next calibration solution is shown.
9. Rinse the probe with deionized water and put the probe into the first calibration beaker. Be sure that there are no air bubbles in the membrane.
10. Push  to measure the third calibration solution.
When the calibration is good, the display briefly shows Calibration OK and then returns to the main menu.
Note: When a printer is connected the print menu opens and the result can be printed.

View the calibration data

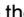









Data from the most recent calibration can be shown.

1. From the main menu use the  or  to select DATA LOGGER.
Confirm.
2. Select Display data.
3. Select Calibration data and confirm with . The last calibration data is shown.
 - pH—the slope and offset values are shown alternating with the deviation (in %) and calibration temperature.
 - ORP—the measured mV value and calibration temperature are shown.
 - Conductivity—the cell constant and calibration temperature for each standard are shown.

Set the calibration reminder

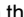




The calibration reminder can be set between 0 to 23 hours or 1-7 days (default 0 days). The display shows the remaining time to the new calibration.

Note: When 0 days is selected, the calibration reminder is turned off.

1. From the main menu use the  or  to select CALIBRATION. Confirm.
2. Use the  to enter the calibration menu.
3. Use the  or  to select Cal. frequency and confirm.
4. Use the  and  to advance to the next step and use the  or  to change a value. Confirm.
Push  to start the calibration.

Sample measurements

Each probe has specific preparation steps and procedures for taking sample measurements.

1. From the main menu use the  or  and  and  to select MEASURE.
Confirm.
2. Use the  to change the following settings. Confirm every entry.

Option	Description
Resolution	Select the resolution: 1, 0.1, 0.01 (default) or 0.001
Measure	Stability—select By stability Criterion: Fast (variation < 0.02 pH in 6 s), Standard (variation < 0.01 pH in 6 s) or Strict (variation < 0.002 pH in 6 s). In continuous—enter the time interval for the In continuous Acquis. interval (data storage or printing data). By time—enter the time interval for data storage or printing data.
Display mV	Display mV—select YES or NO to show mV.
Limits	Limits—select YES or NO. YES: Enter the upper and lower limits. An acoustic warning appears when the measurement is out of limit. The report output shows an A next to the measured value when the measurement was out of limit.
Isopotential	Isopotential—change the Isopotential pH value in Data introduction. Select Calculate to calibrate the probe again.

3. Push  to start the measurement.

Note: If the measurement is not stabilizing after 120 seconds, the meter turns automatically into the continuous measurement mode.

Advanced operations

Use a sample ID

The sample ID tag is used to associate readings with a particular sample location. If assigned, stored data will include this ID.

1. From the main menu use the ▲ or ▼ to select SYSTEM. Confirm.
2. Use the ▲ or ▼ to select Sample ID and confirm.
3. Use the ▲ or ▼ to select

Option	Description
Automatic	A consecutive number will be automatically assigned to every sample.
Manual	A keyboard or a barcode scanner is required to enter the sample ID name before taking a measurement (maximum 15 characters).

Select the data output

Data can be stored or transferred to a printer or to a PC.

1. From the main menu use the ▲ or ▼ to select SYSTEM. Confirm.
2. Use the ▲ or ▼ to select Data Output and confirm.
3. Use the ▲ or ▼ to select

Option	Description
Deactivated	Select Deactivated if no printer or PC is connected.
For Printer	Select Dot matrix printer or Thermal printer.
For Computer	Select Terminal, ComLabo or ComLabo Easy. The ComLabo Software controls several modules, pH and conductivity meters, automatic burettes, Samplers and so on from a computer. The ComLabo Easy software gets pH and conductivity data from a PC.

Change the date and time

The date and time can be changed from the Date / Time menu.

1. From the main menu use the ▲ or ▼ to select SYSTEM. Confirm.
2. Use the ▲ or ▼ to select Date / Time and confirm.
3. Use the ◀ and ▶ to advance to the next step and use the ▲ or ▼ to change a value. Confirm.
The current date and time will be shown on the display.

Adjust the display contrast

1. From the main menu use the ▲ or ▼ to select SYSTEM. Confirm.
2. Use the ▲ or ▼ to select Display contrast and confirm.
3. Use the ◀ and ▶ to adjust the contrast of the display and confirm.

Adjust the temperature

The temperature measurement can be adjusted at 25 °C (77 °F) and/or 85 °C (185 °F) to increase accuracy.

1. Put the probe and a reference thermometer in a container of water at approximately 25 °C and allow the temperature to stabilize.
2. Compare the temperature read by the meter with that of the reference thermometer. The difference is the adjustment value for the meter.
Example: reference thermometer: 24.5 °C; meter: 24.3 °C. Adjustment value: 0.2 °C.
3. Enter the adjustment value for the 25 °C reading:
 - a. From the main menu use the ▲ or ▼ to select SYSTEM. Confirm.
 - b. Use the ▲ or ▼ to select Readjust temp. and confirm.
 - c. Use the ▲ or ▼ to select 25 °C and confirm.
 - d. Use the arrow keys to enter the adjustment value for 25 °C. Confirm.
4. Put the probe and a reference thermometer in a container of water at approximately 85 °C and allow the temperature to stabilize.
5. Compare the temperature from the meter with that of the reference thermometer. The difference is the adjustment value for the meter.
 - a. Use the ▲ or ▼ to select 85 °C and confirm.

- b. Use the arrow keys to enter the adjustment value for 85 °C. Confirm.
- c. Select Save changes and confirm.

Change the stirring settings

The magnetic stirrer can be turned on and the stirring speed can be changed in the Stirring menu.

1. From the main menu use the ▲ or ▼ to select SYSTEM. Confirm.
2. Use the ▲ or ▼ to select Stirring and confirm.
3. To turn on/off the stirrer push ✓.
4. When the stirrer is turned on, use the ▲ or ▼ to change the stirring speed in %.

Note: Use the ▲ or ▼ to change the stirring speed during calibration and during a measurement.

Change the temperature units

The temperature units can be changed to Celsius or Fahrenheit.

1. From the main menu use the ▲ or ▼ to select SYSTEM. Confirm.
2. Use the ▲ or ▼ to select Temperature units and confirm.
3. Use the ▲ or ▼ to select between Celsius or Fahrenheit and confirm.

Data logger

Display data

The Display data log contains Measurement data, Electrode report and Calibration data. The stored data can be sent to a printer or to a PC. When the data log becomes full (400 data points), the oldest data point is deleted when a new data point is added.

1. From the main menu use the ▲ or ▼ to select SYSTEM. Confirm.
2. Use the ▲ or ▼ to select DATA LOGGER and confirm.
3. Use the ▲ or ▼ to select Display data and confirm.

4. Use the ▲ or ▼ to select

Option	Description
Measurement data	Measurement data—stores automatically each time a sample is measured
Electrode report	Electrode report—stores automatically the electrode history and measurement conditions
Calibration data	Calibration data—stores automatically the current calibration

Delete data

The entire measurement data or electrode report log can be deleted to remove data that has already been sent to a printer or PC.

1. From the main menu use the ▲ or ▼ to select SYSTEM. Confirm.
2. Use the ▲ or ▼ to select DATA LOGGER and confirm.
3. Use the ▲ or ▼ to select Erase and confirm.
4. Use the ▲ or ▼ to select Measurement data or Electrode report and confirm. Confirm again to delete the data. The entire log is deleted at once.

Send data to a printer or to a computer

NOTICE

The data output (printer or PC) needs to be selected first, so that the Print menu is available (refer to [Select the data output](#) on page 10).

Note: Refer to [Report output](#) on page 12 to select the report output type.

1. From the main menu use the ▲ or ▼ to select SYSTEM. Confirm.
2. Use the ▲ or ▼ to select DATA LOGGER and confirm.
3. Use the ▲ or ▼ to select Print and confirm. Select one of the following options and confirm with ✓ to print the data: Measurement data, Electrode data, Calibration data, Calibration report or Instrument condit.

Report output

NOTICE

The data output (printer or PC) needs to be selected first, so that the Type of report menu is available (refer to [Select the data output](#) on page 10).

Different report output types can be selected when a printer or a PC is connected.

1. From the main menu use the ▲ or ▼ to select SYSTEM. Confirm.
2. Use the ▲ or ▼ to select Type of report and confirm.
3. When a printer or a computer and Terminal is connected, use the ▲ or ▼ to select

Option	Description
--------	-------------

Reduced	Select Several or One sample as an output format
----------------	--

Standard	Select Several or One sample as an output format. Select several: Users: The user name appears on the printed report (17 characters). Header: The company name can be added as a header (40 characters) and appears on the print report. Identify sensor: The sensor model and the sensor serial number can be added and appears on the print report.
-----------------	---

GLP	Select Several or One sample as an output format. Select several: Users: The user name appears on the printed report (17 characters). Header: The company name can be added as a header (40 characters) and appears on the print report. Identify sensor: The sensor model and the sensor serial number can be added and appears on the print report.
------------	---

4. When a computer is connected and ComLabo Easy (refer to for more information) is selected, use the ▲ or ▼ to select

Option	Description
--------	-------------

Users	The user name appears on the printed report (17 characters).
--------------	--

Identify sensor	The sensor model and the sensor serial number can be added and appears on the print report.
------------------------	---

Maintenance

⚠ WARNING

Multiple hazards. Do not disassemble the instrument for maintenance. If the internal components must be cleaned or repaired, contact the manufacturer.

⚠ CAUTION

Personal injury hazard. Only qualified personnel should conduct the tasks described in this section of the manual.

Clean the instrument

NOTICE

Never use cleaning agents such as turpentine, acetone or similar products to clean the instrument including the display and accessories.

Clean the exterior of the instrument with a moist cloth and a mild soap solution.

Clean the probe

Clean the probe as needed. Refer to [Troubleshooting](#) on page 14 for more information about cleaning. Refer to the probe documentation for information about the probe maintenance.

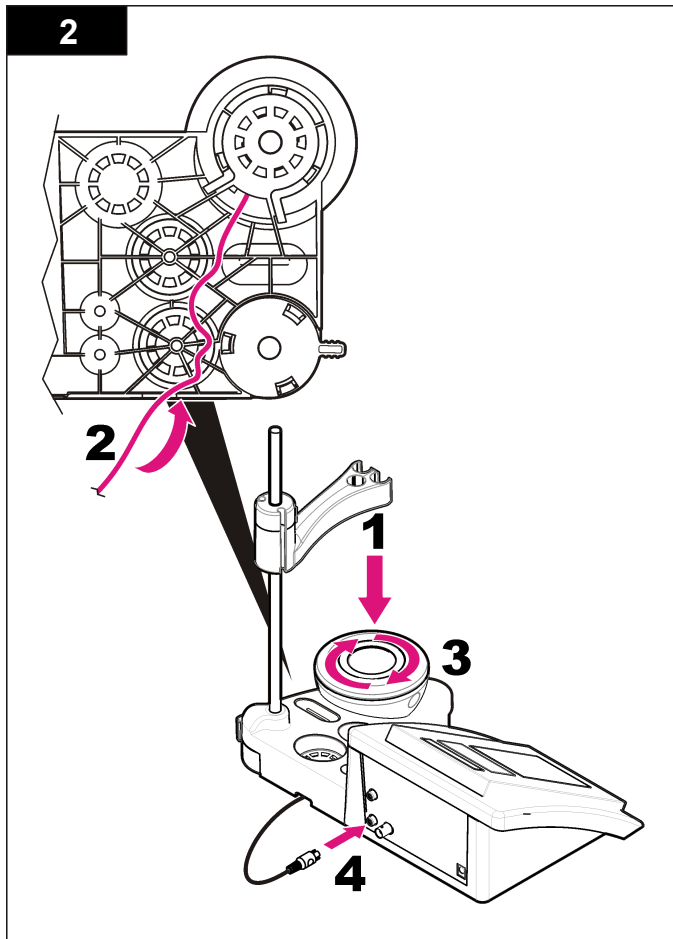
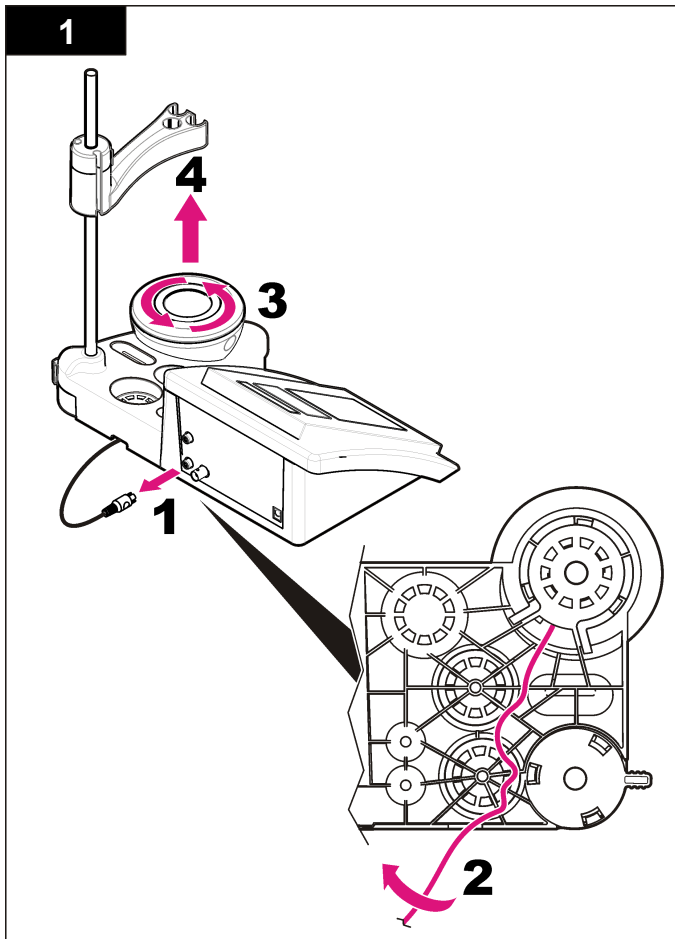
Use the cleaning agents listed in [Table 1](#) for contaminations on the pH probe.

Table 1 Cleaning agents for the pH probe

Contamination	Cleaning agent
Proteins	Pepsin cleaning solution
Grease, oils, fats	Electrode cleaning solution
Limescale	0.1 N HCl solution

Replace the magnetic stirrer

If the magnetic stirrer does not start, follow the numbered steps to replace the magnetic stirrer.



Troubleshooting

Refer to the following table for common problem messages or symptoms, possible causes and corrective actions.

Table 2 Calibration warnings and errors

Error/Warning	Solution
Asymmetry > 58 mV	Slope out of range (accepted values ± 58 mV). Calibrate again. Connect a new probe.
Buffer or electrode in poor conditions.	Calibrate again. Examine the probe: Clean the probe (refer to Clean the probe on page 12 for more information); make sure that there are no air bubbles in the membrane. Shake the probe like a thermometer; Connect a different probe to verify if problem is with probe or meter.
Sens. (a) < 70%	
BUFFER NOT RECOGNIZED	Examine the buffer solution: Make sure that the buffer used matches the buffer specified in configuration; make sure of the temperature specification in configuration; use new buffer solution.
UNSTABLE READING Time \geq 100 s	Calibrate again. Examine the probe: Clean the probe (refer to Clean the probe on page 12 for more information); make sure that there are no air bubbles in the membrane. Shake the probe like a thermometer; connect a different probe to verify if problem is with probe or meter. Make sure that the membrane and the diaphragm are properly immersed in the sample.

Table 2 Calibration warnings and errors (continued)

Error/Warning	Solution
Electrode in poor conditions.	Examine the probe: Clean the probe (refer to Clean the probe on page 12 for more information); make sure that there are no air bubbles in the membrane. Shake the probe like a thermometer; connect a different probe to verify if problem is with probe or meter.
Check the electrode	
SAME BUFFERS	Calibrate again. Examine the probe: Clean the probe (refer to Clean the probe on page 12 for more information); make sure that there are no air bubbles in the membrane. Shake the probe like a thermometer; connect a different probe to verify if problem is with probe or meter. Examine the buffer solution: Use new buffer solution.

Table 3 Measurement warnings and errors

Error/Warning	Solution
pH 12.78 19°C	Calibrate again
pH out of range	Examine the probe: Clean the probe (refer to Clean the probe on page 12 for more information); make sure that there are no air bubbles in the membrane. Shake the probe like a thermometer; connect a different probe to verify if problem is with probe or meter.
Temp out of range °C	Examine the temperature sensor. Connect a different probe to verify if problem is with probe or meter.
Time > 60 s	Make sure that the membrane and the diaphragm are properly immersed in the sample.
Time > 150 s	Examine the temperature.
Time > 300 s	Examine the probe: Clean the probe (refer to Clean the probe on page 12 for more information); make sure that there are no air bubbles in the membrane. Shake the probe like a thermometer; connect a different probe to verify if problem is with probe or meter.

Replacement parts and accessories

Note: Product and Article numbers may vary for some selling regions. Contact the appropriate distributor or refer to the company website for contact information.

Replacement parts

Description	Item no.
sensION+ PH3 Lab pH-meter with accessories, without probe	LPV2000.97.0002
sensION+ PH31 Lab pH-meter, GLP, with accessories, without probe	LPV2100.97.0002
sensION+ MM340 Lab pH & Ion-meter, GLP, 2 channels, with accessories, without probe	LPV2200.97.0002
sensION+ EC7 Lab conductivity meter, with accessories, without probe	LPV3010.97.0002
sensION+ EC71 Lab conductivity meter, GLP, with accessories, without probe	LPV3110.97.0002
sensION+ MM374, 2 channel Lab meter, GLP, accessories, without probes	LPV4110.97.0002

Consumables

Description	Item no.
pH buffer solution 4.01, with certificate, 125 mL	LZW9460.99
pH buffer solution 7.00, with certificate, 125 mL	LZW9461.97
pH buffer solution 10.00, with certificate, 125 mL	LZW9470.99
pH buffer solution 4.01, with certificate, 250 mL	LZW9463.99
pH buffer solution 7.00, with certificate, 250 mL	LZW9464.97
pH buffer solution 10.00, with certificate, 250 mL	LZW9471.99
pH buffer solution 4.01, with certificate, 1000 mL	LZW9466.99
pH buffer solution 7.00, with certificate, 1000 mL	LZW9467.97

Replacement parts and accessories (continued)

Description	Item no.
pH buffer solution 10.00, with certificate, 1000 mL	LZW9472.99
Electrolytic solution (KCl 3M), 125 mL	LZW9510.99
Electrolytic solution (KCl 3M), 250 mL	LZW9500.99
Electrolytic solution (KCl 3M), 50 mL	LZW9509.99
Electrolytic solution 0.1 M, 125 mL	LZW9901.99
Enzyme solution	2964349
Pepsin Cleaning Solution	2964349
Electrode cleaning solution	2965249
0.1 N HCl solution	1481253
Ethanol, 95% (Grease, oils, fats)	2378900

Accessories

Description	Item no.
Thermal printer, RS232, for sensION+ benchtop	LZW8201.99
Thermal paper for printer LZW8201, bag with 5 rolls	LZW9117.99
Dot-impact printer, RS232, for sensION+ instruments	LZW8200.99
Standard paper for printer LZW8200, bag with 10 rolls	LZW9000.99
Ribbon for printer LZW8200, 3 units	LZW9001.99
LabCom Easy PC SW, for sensION+ GLP, CD, cable, USB adapter	LZW8997.99
LabCom PC SW, for sensION+ GLP, CD, cable, USB adapter	LZW8999.99
RS232 cable, for sensION+ benchtop instruments	LZW9135.99
RS232 cable for sensION+ benchtop, with USB adapter	LZW9135USB.99

Replacement parts and accessories (continued)

Description	Item no.
Magnetic stirrer with sensor holder, for sensION+ MM benchtop	LZW9319.99
3x50 mL printed beakers for benchtop pH calibration	LZW9110.97
Three-sensor holder, for sensION+ benchtop instruments	LZW9321.99
Holder and clamp for three sensors	LZW9155.99
Pyrex glass chamber, continuous flow measurements	LZW9118.99
PP protector, electrode storage	LZW9161.99

Standard solutions

Technical buffer solutions (DIN 19267)

Refer to [Table 4](#) pH and ORP (mV) values of specific buffer sets at varying temperatures.

Table 4 pH, ORP (mV) and temperature values

Temperature		pH					mV
°C	°F						
0	32	2.01	4.01	7.12	9.52	10.30	—
10	50	2.01	4.00	7.06	9.38	10.17	245
20	68	2.00	4.00	7.02	9.26	10.06	228
25	77	2.00	4.01	7.00	9.21	10.01	220
30	86	2.00	4.01	6.99	9.16	9.96	212
40	104	2.00	4.03	6.97	9.06	9.88	195
50	122	2.00	4.06	6.97	8.99	9.82	178
60	140	2.00	4.10	6.98	8.93	9.76	160
70	158	2.01	4.16	7.00	8.88	—	—

Table 4 pH, ORP (mV) and temperature values (continued)

Temperature		pH					mV
°C	°F						
80	176	2.01	4.22	7.04	8.83	—	—
90	194	2.01	4.30	7.09	8.79	—	—

Caractéristiques techniques

Les caractéristiques techniques peuvent être modifiées sans préavis.

Caractéristiques	Détails
Dimensions	35 x 20 x 11 cm (13,78 x 7,87 x 4,33 po)
Poids	1 100 g (2,43 lb)
Boîtier de l'appareil	IP42
Alimentation (externe)	100–240 V, 0,4 A, 47-63 Hz
Classe de protection de l'instrument	Classe II
Température de stockage	–15 à +65 °C (5 à +149 °F)
Température de fonctionnement	0 à 40 °C (41 à 104 °F)
Humidité de fonctionnement	< 80 % (sans condensation)
Résolution	pH : 0,1/0,01/0,001, ORP : 0,1/1 mV, température : 0,1 °C (0,18 °F)
Erreur de mesure (± 1 chiffre)	pH : ≤ 0,002, ORP : ≤ 0,2 mV, température : ≤ 0,2 °C (≤ 0,36 °F)
Reproductibilité (± 1 chiffre)	pH : ± 0,001, ORP : ± 0,1 mV, température : ± 0,1 °C (± 0,18 °F)
Stockage des données	330 résultats et 9 derniers étalonnages
Connexions	Sonde d'indicateur ou combinée : connecteur BNC (imp. > 10 ¹² Ω) ; électrode de référence : connecteur banane ; type A.T.C. Pt 1000 : connecteur banane ou téléphonique ; agitateur magnétique : connecteur RCA RS232C pour imprimante ou PC : connecteur téléphonique ; clavier PC externe : connecteur mini-DIN

Caractéristiques	Détails
Correction de température	Manuelle, sonde de température Pt 1000 (A.T.C.), sonde NTC 10 kΩ pH isopotential programmable, valeur standard 7,00
Verrouillage d'affichage de mesure	Mesure continue, par stabilité et par durée
Afficheur	Cristal liquide, rétroéclairé, 128 x 64 points
Clavier	PET avec traitement de protection
Certification	CE

Généralités

Les éditions révisées se trouvent sur le site Internet du fabricant.

Consignes de sécurité

Veillez lire l'ensemble du manuel avant le déballage, la configuration ou la mise en fonctionnement de cet appareil. Respectez toutes les déclarations de prudence et d'attention. Le non-respect de cette procédure peut conduire à des blessures graves de l'opérateur ou à des dégâts sur le matériel.

Assurez-vous que la protection fournie avec cet appareil ne soit pas compromise, n'utilisez pas ou n'installez pas cet appareil d'une autre façon que celle décrite dans ce manuel.

Interprétation des indications de risques

▲ DANGER

Indique une situation de danger potentiel ou imminent qui, si elle n'est pas évitée, entraîne des blessures graves, voire mortelles.

▲ AVERTISSEMENT

Indique une situation de danger potentiel ou imminent qui, si elle n'est pas évitée, peut entraîner des blessures graves, voire mortelles.

⚠ ATTENTION



Indique une situation de danger potentiel qui peut entraîner des blessures mineures ou légères.

AVIS

Indique une situation qui, si elle n'est pas évitée, peut occasionner l'endommagement du matériel. Informations nécessitant une mise en avant particulière.

Étiquettes de mise en garde

Lire toutes les informations et toutes les étiquettes apposées sur l'appareil. Des personnes peuvent se blesser et le matériel peut être endommagé si ces instructions ne sont pas respectées. Si un symbole 'danger' ou 'attention' se trouve sur l'instrument, une explication est indiquée dans le manuel.

	Lorsque ce symbole est présent sur l'instrument, reportez-vous au manuel d'instructions pour obtenir des informations relatives au fonctionnement et/ou à la sécurité.
	L'équipement électrique portant ce symbole ne peut être mis au rebut dans les systèmes de mise au rebut publics européens après le 12 août 2005. Conformément aux règlements nationaux et européens (Directive 2002/98/EC), les appareils électriques doivent, depuis le 12 août 2005, ne pas être mis au rebut dans les décharges traditionnelles, mais être, à la fin de leur service, renvoyés par les utilisateurs européens au fabricant, qui se chargera de les éliminer à ses frais. Remarque : Pour le retour à des fins de recyclage, veuillez contactez le fabricant ou le fournisseur d'équipement pour obtenir les instructions sur la façon de renvoyer l'équipement usé, les accessoires électriques fournis par le fabricant, et tous les articles auxiliaires pour mise au rebut appropriée.

Présentation du produit

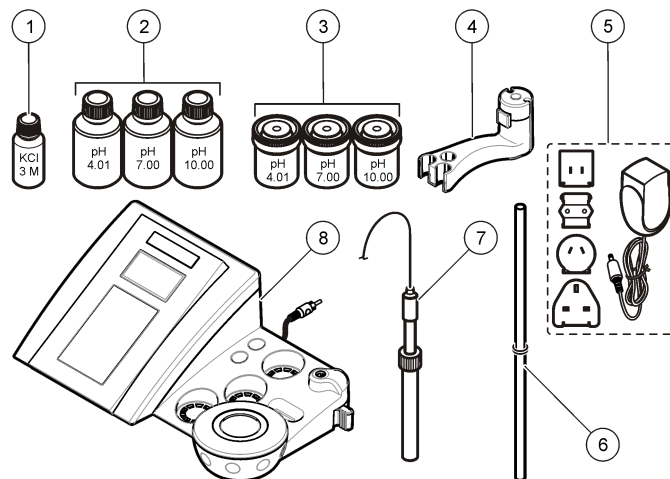
Les appareils de mesure de la série ION™ + s'utilisent avec des sondes pour mesurer différents paramètres dans l'eau.

L'appareil de mesure sensION™ + PH31 mesure le pH, l'ORP (mV) et la température. Les données de mesure peuvent être enregistrées et transférées vers une imprimante ou un PC.

Composants du produit

Consultez la [Figure 1](#) pour vous assurer que tous les éléments ont bien été reçus. Si des éléments manquent ou sont endommagés, contactez immédiatement le fabricant ou un représentant commercial.

Figure 1 Composants de l'appareil



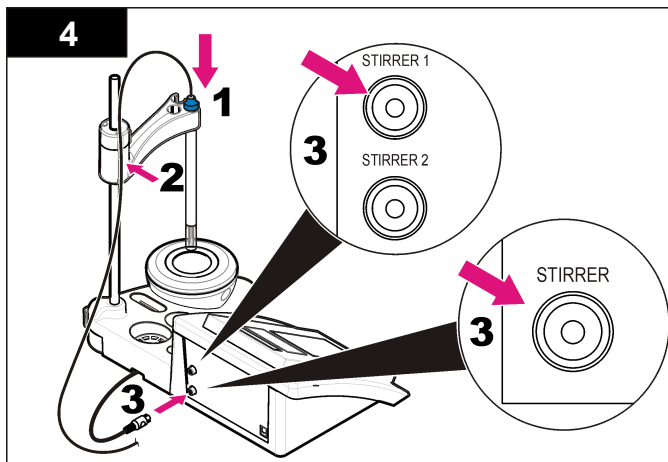
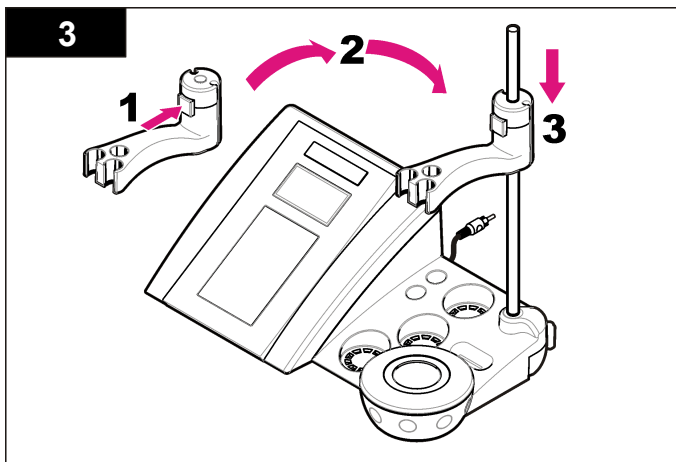
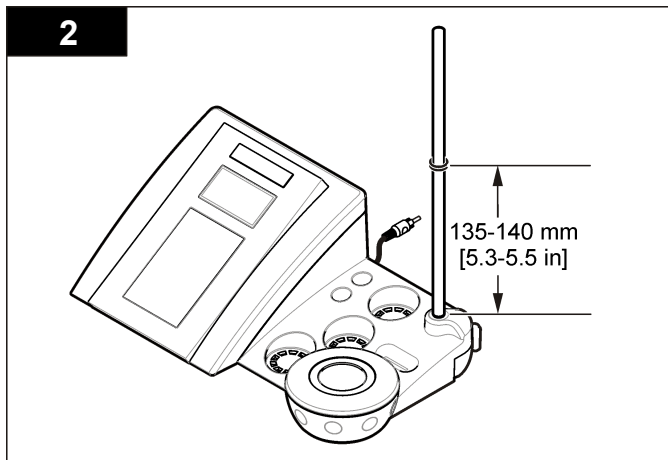
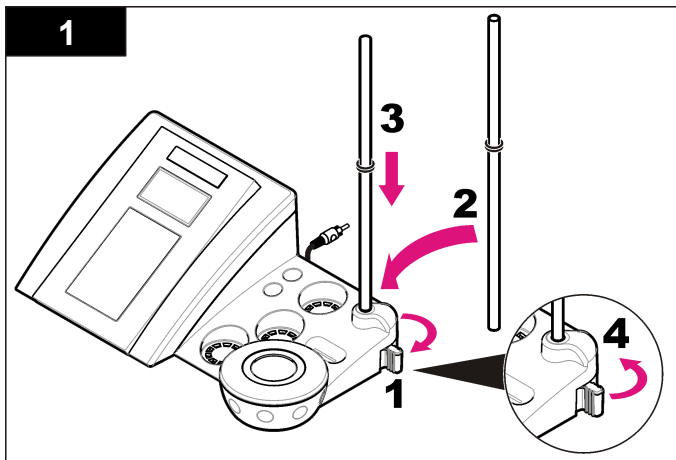
1 Electrolyte pour la sonde	5 Alimentation
2 Solutions tampons (pH 4,01, pH 7,00 et pH 10,00)	6 Tige avec joint torique
3 Bêchers d'étalonnage (avec barre magnétique)	7 Sonde (comprise uniquement dans les kits)
4 Support de sonde	8 Appareil de mesure

Installation

brancher l'agitateur magnétique.

Monter le support de sonde

Suivez les étapes numérotées afin de monter le support de sonde et de



Branchement sur alimentation CA

⚠ DANGER

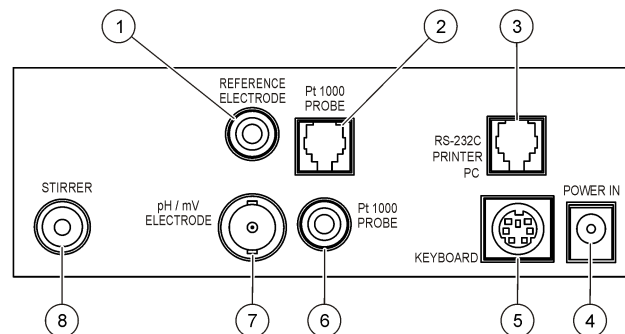


Risque d'électrocution Si cet équipement est utilisé à l'extérieur ou dans des lieux potentiellement humides, un disjoncteur de fuite à la terre (GFCI/GFI) doit être utilisé pour le branchement de l'équipement à sa source d'alimentation secteur.

L'appareil de mesure peut être alimenté sur secteur à l'aide d'un adaptateur d'alimentation universel.

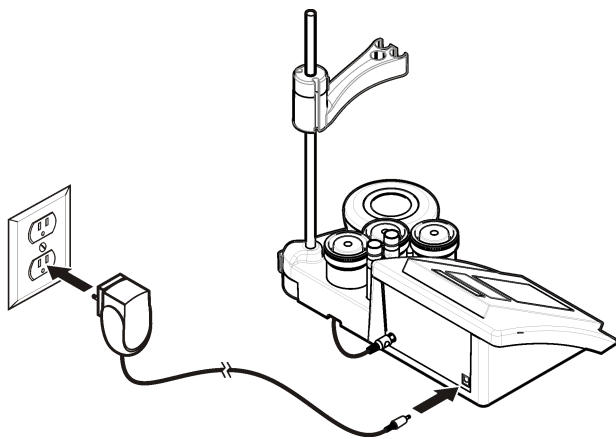
1. Sélectionnez la fiche d'adaptateur appropriée à la prise électrique dans le kit adaptateur.
2. Branchez l'adaptateur d'alimentation universel à l'appareil (Figure 2).
3. Branchez l'adaptateur d'alimentation universel à une prise CA (Figure 3).
4. Allumez l'appareil.

Figure 2 Panneau des connecteurs



1 Connecteur de l'électrode de référence (électrodes séparées)	5 Clavier PC, connecteur mini-DIN
2 Connecteur de la sonde de température séparée	6 Connecteur de la sonde de température
3 Connecteur RS-232 pour imprimante ou PC	7 Connecteur de l'électrode (ou indicateur) pH combinée
4 Alimentation	8 Connecteur de l'agitateur magnétique

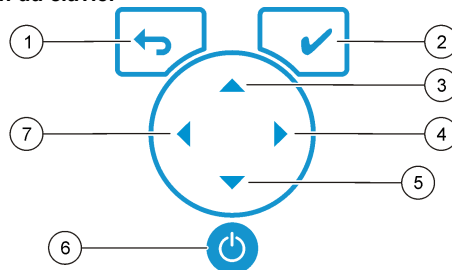
Figure 3 Branchement sur alimentation CA



Interface utilisateur et navigation

Interface utilisateur

Description du clavier

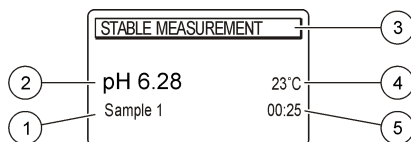


1 Touche RETURN (RETOUR) : permet de modifier ou de quitter l'écran actuel pour revenir à l'écran précédent	5 Touche BAS : permet de faire défiler les autres options ou de modifier une valeur
2 Touche MEASUREMENT (MESURE) : permet de valider l'option sélectionnée	6 MARCHE/ARRET : allumage ou extinction de l'appareil
3 Touche HAUT : permet de faire défiler les autres options ou de modifier une valeur	7 Touche GAUCHE : permet de modifier l'unité de mesure et de saisir nombres et lettres
4 Touche DROITE : permet de modifier l'unité de mesure et de saisir nombres et lettres	

Description de l'affichage

L'affichage de l'appareil de mesure indique la concentration, les unités, la température, l'état d'étalonnage, l'ID d'opérateur, l'ID d'échantillon, la date et l'heure.

Figure 4 Affichage sur écran unique



1 ID d'échantillon	4 Température d'échantillon (°C ou °F)
2 Unité de mesure et valeur (pH, ORP (mV))	5 Minuteur visuel de mesure
3 Mode de mesure ou date et heure	

Navigation

Appuyez sur pour revenir au menu précédent. Utilisez la touche de mesure pour mesurer un échantillon ou valider une option. Utilisez les touches fléchées pour accéder à d'autres options ou modifier une valeur. Pour modifier les paramètres, utilisez les touches fléchées et . Consultez les instructions spécifiques à chaque tâche.

Démarrage

Allumage et extinction de l'appareil de mesure

AVIS

Veillez à ce que la sonde soit connectée à l'appareil de mesure avant d'allumer l'appareil de mesure.

Appuyez sur la touche pour allumer ou éteindre l'appareil de mesure. Si l'appareil ne s'allume pas, vérifiez que l'alimentation CA est bien branchée à une prise électrique.

Modifier la langue

La langue de l'affichage est sélectionnée au premier allumage de l'appareil.

1. Utilisez les touches ou pour sélectionner une langue dans la liste.

2. Validez en appuyant sur . L'écran de mesure indique DATA OUTPUT (SORTIE DONNEES).
3. Sélectionnez Deactivated (Désactivé) si aucun PC ou imprimante n'est connecté, puis validez. Reportez-vous à la section [Sélectionner le type de sortie de données](#) à la page 26 pour plus de renseignements sur la sortie de données.

Opérations standard

Étalonnage

⚠ AVERTISSEMENT

Risque d'exposition chimique. Respectez les procédures de sécurité de laboratoire et portez tous les équipements de protection personnelle adaptés aux produits chimiques que vous manipulez. Reportez-vous aux fiches techniques de sécurité des matériaux (MSDS) pour connaître les protocoles de sécurité.

Paramètres d'étalonnage

Les paramètres d'étalonnage comprennent le type et la fréquence d'étalonnage, ainsi que les options d'affichage.

1. Dans le menu principal, utilisez les touches ou pour sélectionner CALIBRATION (ETALONNAGE). Validez.
2. Utilisez la touche pour accéder au menu Calibration (Étalonnage).
3. Utilisez les touches ou pour sélectionner les options suivantes :

Options	Descriptions
Stability C. (Stabilité)	Critère de stabilité ; sélectionnez Fast (Rapide), Standard (Normal) ou Strict.
Calibration type (Type d'étalonnage)	Type d'étalonnage ; sélectionnez Technical Buffers (Tampons techniques), DIN19266 Buffers (Tampons DIN19266), User Buffers (Tampons utilisateur), To a X value (A une valeur X), data introduction (Introduction de données) ou Theoretical calibration (Étalonnage théorique). Pour en savoir plus, reportez-vous à la section Calibration types .

Options	Descriptions
Cal. frequency (Fréquence d'étal.)	Rappel d'étalonnage ; peut être réglé entre 0 et 7 jours (par défaut : quotidien). L'écran indique le temps restant avant le prochain étalonnage. Pour en savoir plus, reportez-vous à la section Régler le rappel d'étalonnage à la page 25.
Display mV (Afficher mV)	Affichage mV ; sélectionnez YES (OUI) ou NO (NON) pour afficher les mV.
Standard 220 mV (Etalon 220 mV)	Etalon 220 mV ; étalonnage avec une solution étalon 220 mV.
To a X value (A une valeur X)	A une valeur X ; utilise une solution étalon spécifique. Ajuste la valeur lors de l'étalonnage.
Data introduction (Introduction de données)	Compensation de l'introduction de données ; saisissez la valeur de compensation.
Factory adjust (Réglage d'usine)	Réglage d'usine ; saisissez la valeur de compensation.

Types d'étalonnage

Différents types d'étalonnage peuvent être sélectionnés.

1. Dans le menu principal, utilisez les touches ▲ ou ▼ pour sélectionner CALIBRATION (ETALONNAGE). Validez.
2. Utilisez la touche ▲ pour accéder au menu Calibration (Etalonnage).
3. Utilisez les touches ▲ ou ▼ pour sélectionner le type d'étalonnage.



Options	Descriptions
Technical buffers (Tampons techniques)	pH 2,00, 4,01, 7,00, 9,21 et 10,90 à 25 °C (77 °F)
DIN19266 Buffers (Tampons DIN19266)	pH 1,679, 4,006, 6,865, 7,000, 9,180, 10,012 et 12,454



Options	Descriptions
User Buffers (Tampons utilisateur)	Sélectionnés lors que les tampons techniques ou DIN19266 ne sont pas utilisés. Reportez-vous au Solutions tampons techniques (DIN 19267) à la page 33 pour connaître les valeurs pH d'un tampon spécifique réglé à diverses températures.
Calibration to a X value (Etalonnage à une valeur X)	Pour le réglage manuel d'une échelle de valeurs pH mesurée.
Data introduction (Introduction de données)	Introduction constante de la sonde manuelle.
Theoretical calibration (Etalonnage théorique)	Les données d'étalonnage de la sonde sont remplacées à 25 °C (77 °F).

Procédure d'étalonnage

Cette procédure s'utilise généralement avec des solutions d'étalonnage liquides. Reportez-vous aux documents inclus avec chaque sonde pour plus d'informations.




Remarque : Les solutions doivent être brassées lors de l'étalonnage. Pour plus d'informations sur les paramètres de brassage, reportez-vous à [Modifier les paramètres de brassage](#) à la page 27.

1. Versez les solutions tampons et d'étalonnage dans les béciers d'étalonnage étiquetés.
2. Dans le menu principal, utilisez les touches ▲ ou ▼, ◀ et ▶ pour sélectionner le paramètre CALIBRATION (ETALONNAGE). Validez.
3. Si nécessaire, sélectionnez l'ID opérateur (1 à 10), puis validez.
4. Rincez la sonde à l'eau déminéralisée et placez-la dans le premier bécier d'étalonnage. Vérifiez qu'aucune bulle d'air ne s'est formée dans la membrane.
5. Appuyez sur  pour lancer l'étalonnage.
6. Appuyez sur  pour mesurer la première solution d'étalonnage. La solution d'étalonnage suivante apparaîtra.

- Rincez la sonde à l'eau déminéralisée et placez-la dans le premier bécher d'étalonnage. Vérifiez qu'aucune bulle d'air ne s'est formée dans la membrane.
- Appuyez sur  pour mesurer la seconde solution d'étalonnage. La solution d'étalonnage suivante apparaît.
- Rincez la sonde à l'eau déminéralisée et placez-la dans le premier bécher d'étalonnage. Vérifiez qu'aucune bulle d'air ne s'est formée dans la membrane.
- Appuyez sur  pour mesurer la troisième solution d'étalonnage. Une fois l'étalonnage correct, l'écran affiche brièvement Calibration OK (Étalonnage OK), puis repasse au menu principal.
Remarque : Si une imprimante est connectée, le menu d'impression apparaît et les résultats peuvent être imprimés.

Afficher les données d'étalonnage



Les données d'étalonnage les plus récentes peuvent être affichées.



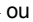





- Dans le menu principal, utilisez les touches  ou  pour sélectionner DATA LOGGER (ENREGISTREUR DE DONNEES). Validez.
- Sélectionnez Display data (Afficher données).
- Sélectionnez Calibration data (Données d'étalonnage), puis validez en appuyant sur . Les dernières données d'étalonnage apparaissent.
 - pH : les données d'inclinaison et de décalage sont affichées en alternance avec la déviation (en %) et la température d'étalonnage.
 - ORP : la valeur mV mesurée et la température d'étalonnage sont affichées.
 - Conductivité : la constante de cellule et la température d'étalonnage pour chaque étalon sont affichées.

Régler le rappel d'étalonnage

Le rappel d'étalonnage peut être réglé entre 0 et 23 heures, ou entre 1 et 7 jours (par défaut : 0 jour). L'écran indique le temps restant avant le prochain étalonnage.




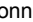

Remarque : Lorsque 0 jour est sélectionné, le rappel d'étalonnage est désactivé.

- Dans le menu principal, utilisez les touches  ou  pour sélectionner CALIBRATION (ETALONNAGE). Validez.

- Utilisez la touche  pour accéder au menu Calibration (Étalonnage).
- Utilisez les touches  ou  pour sélectionner Cal. frequency (Fréquence étal.), puis validez
- Utilisez les touches  et  pour passer à l'étape suivante, et les touches  et  pour modifier une valeur. Validez.
Appuyez sur la touche  pour lancer l'étalonnage.

Mesures d'échantillon

Chaque sonde dispose d'étapes de préparation et de procédures spécifiques pour les mesures d'échantillons.

- Dans le menu principal, utilisez les touches  ou ,  et  pour sélectionner MEASURE (MESURE). Validez.
- Utilisez la touche  pour modifier les paramètres suivants. Validez chaque entrée.

Options	Descriptions
Résolution	Sélectionne la résolution : 1, 0,1, 0,01 (par défaut) ou 0,001
Measure (Mesure)	Stabilité ; sélectionnez le critère de stabilité : Fast (Rapide) (variation < 0,02 pH en 6 s), Standard (Normal) (variation < 0,01 pH en 6 s) ou Strict (variation < 0,002 pH en 6 s). En continu ; saisissez l'intervalle de temps pour l'intervalle d'acquisition In continuous (En continu) (stockage ou impression des données). Par durée ; saisissez l'intervalle de temps pour le stockage ou l'impression des données.
Display mV (Afficher mV)	Affichage mV ; sélectionnez YES (OUI) ou NO (NON) pour afficher les mV.
Limits (Limites)	Limites ; sélectionnez YES (OUI) ou NO (NON). YES (OUI) : saisissez les limites supérieures et inférieures. Un avertissement sonore est émis lorsque la mesure est hors limite. Le rapport édité comporte un A en regard de la valeur mesurée lorsque la mesure était hors limite.
Isopotential (Isopotentiel)	Isopotentiel ; modifie la valeur de pH isopotentiel en mode Data introduction (Introduction de données). Sélectionnez Calculate (Calculer) pour réétalonner la sonde.

- Appuyez sur la touche  pour lancer la mesure.

Remarque : Si la mesure ne se stabilise pas après 120 secondes, l'appareil passe automatiquement en mode de mesure continue.

Opérations avancées

Utiliser un ID d'échantillon

L'étiquette d'ID d'échantillon permet d'associer les mesures à un emplacement d'échantillon spécifique. Les données enregistrées incluent cette identification si elle est attribuée.

1. Dans le menu principal, utilisez les touches ▲ ou ▼ pour sélectionner SYSTEM (SYSTEME). Validez.
2. Utilisez les touches ▲ ou ▼ pour sélectionner Sample ID (ID d'échantillon), puis validez.
3. Utilisez les touches ▲ ou ▼ pour sélectionner

Options	Descriptions
Automatic (Automatique)	Des nombres consécutifs seront automatiquement affectés à chaque échantillon.
Manual (Manuel)	Un clavier ou un scanner de codes à barres sont nécessaires pour saisir le nom de l'ID d'échantillon avant d'effectuer une mesure (15 caractères maximum).

Sélectionner le type de sortie de données

Les données peuvent être stockées ou transférées vers une imprimante ou un PC.

1. Dans le menu principal, utilisez les touches ▲ ou ▼ pour sélectionner SYSTEM (SYSTEME). Validez.
2. Utilisez les touches ▲ ou ▼ pour sélectionner Data Output (Sortie de données), puis validez.
3. Utilisez les touches ▲ ou ▼ pour sélectionner

Options	Descriptions
Deactivated (Désactivé)	Sélectionnez Deactivated (Désactivé) si aucun PC ou imprimante n'est connecté.

Options	Descriptions
For Printer (Pour imprimante)	Sélectionnez Dot matrix printer (Imprimante matricielle) ou Thermal printer (Imprimante thermique).
For Computer (Pour ordinateur)	Sélectionnez Terminal, ComLabo ou ComLabo Easy. Le logiciel ComLabo permet de contrôler plusieurs modules, les appareils de mesure de pH et de conductivité, les burettes automatiques, les échantillons et bien d'autres éléments depuis un ordinateur. Le logiciel ComLabo Easy récupère les données de pH et de conductivité depuis un PC.

Modifier la date et l'heure

La date et l'heure sont modifiables depuis le menu Date / Time (Date et heure).

1. Dans le menu principal, utilisez les touches ▲ et ▼ pour sélectionner SYSTEM (SYSTÈME). Validez.
2. Utilisez les touches ▲ ou ▼ pour sélectionner Date / Time (Date et heure), puis validez.
3. Utilisez les touches ◀ et ▶ pour passer à l'étape suivante, et les touches ▲ et ▼ pour modifier une valeur. Validez.
La date et l'heure en cours apparaissent sur l'écran.

Régler le contraste écran

1. Dans le menu principal, appuyez sur les touches ▲ ou ▼ pour sélectionner SYSTEM (SYSTEME). Validez.
2. Utilisez les touches ▲ ou ▼ pour sélectionner Display contrast (Contraste écran), puis validez.
3. Utilisez les touches ◀ et ▶ pour régler le contraste de l'écran, puis validez.

Régler la température

Il est possible de régler la mesure de la température à 25 °C (77 °F) et/ou 85 °C (185 °F) afin d'améliorer la précision.

1. Placez la sonde et un thermomètre de référence dans un récipient d'eau à environ 25 °C et laissez la température se stabiliser.
2. Comparez le relevé de température de l'appareil de mesure avec celui du thermomètre de référence. La différence est la valeur d'ajustement de l'appareil de mesure.
Exemple : thermomètre de référence : 24,5 °C ; appareil de mesure : 24,3 °C. Valeur d'ajustement : 0,2 °C.
3. Entrez la valeur d'ajustement pour le relevé de 25 °C :
 - a. Dans le menu principal, utilisez les touches ▲ ou ▼ pour sélectionner SYSTEM (SYSTEME). Validez.
 - b. Utilisez les touches ▲ ou ▼ pour sélectionner Readjust temp. (Réglage temp.), puis validez.
 - c. Utilisez les touches ▲ ou ▼ pour sélectionner 25 °C, puis confirmez.
 - d. Utilisez les touches fléchées pour saisir la valeur d'ajustement de 25 °C. Validez.
4. Placez la sonde et un thermomètre de référence dans un récipient d'eau à environ 85 °C et laissez la température se stabiliser.
5. Comparez le relevé de température de l'appareil de mesure avec celui du thermomètre de référence. La différence est la valeur d'ajustement de l'appareil de mesure.
 - a. Utilisez les touches ▲ ou ▼ pour sélectionner 85°C, puis confirmez.
 - b. Utilisez les touches fléchées pour saisir la valeur d'ajustement de 85 °C. Validez.
 - c. Sélectionnez Save changes (Enregistrer modifications), puis confirmez.

Modifier les paramètres de brassage

L'agitateur magnétique peut être activé et la vitesse de brassage modifiée dans le menu Stirring (Brassage).

1. Dans le menu principal, utilisez les touches ▲ ou ▼ pour sélectionner SYSTEM (SYSTEME). Validez.

2. Utilisez les touches ▲ ou ▼ pour sélectionner Stirring (Brassage), puis validez.
3. Pour activer/désactiver l'agitateur, appuyez sur ✓.
4. Lorsque l'agitateur est activé, utilisez les touches ▲ ou ▼ pour modifier la vitesse de brassage en %.

Remarque : Utilisez les touches ▲ ou ▼ pour modifier la vitesse de brassage lors de l'étalonnage ou au cours d'une mesure.

Modifier les unités de température

Les unités de température peuvent être indiquées en Celsius ou en Fahrenheit.

1. Dans le menu principal, utilisez les touches ▲ ou ▼ pour sélectionner SYSTEM (SYSTEME). Validez.
2. Utilisez les touches ▲ ou ▼ pour sélectionner Temperature units (Unités de température), puis validez.
3. Utilisez les touches ▲ ou ▼ pour sélectionner Celsius ou Fahrenheit, puis validez.

Enregistreur de données

Afficher les données

Le journal d'affichage des données contient les données de mesure, les rapports d'électrodes et les données d'étalonnage. Les données enregistrées peuvent être envoyées vers une imprimante ou un PC. Quand le journal des données est plein (400 points de mesure), les points de données les plus anciens sont supprimés lorsque de nouveaux points de données sont ajoutés.

1. Dans le menu principal, utilisez les touches ▲ ou ▼ pour sélectionner SYSTEM (SYSTEME). Validez.
2. Utilisez les touches ▲ ou ▼ pour sélectionner DATA LOGGER (ENREGISTEUR DE DONNEES), puis validez.
3. Utilisez les touches ▲ ou ▼ pour sélectionner Display data (Afficher les données), puis validez.

- Appuyez sur les touches ▲ ou ▼ pour sélectionner

Options	Descriptions
Measurement data (Données de mesure)	Données de mesure ; enregistre automatiquement chaque échantillon mesuré
Electrode report (Rapport d'électrode)	Rapport d'électrode ; enregistre automatiquement l'historique de l'électrode et les conditions de mesure
Calibration data (Données d'étalonnage)	Données d'étalonnage ; enregistre automatiquement l'étalonnage actuel

Supprimer des données

Les données de mesure et le journal d'électrode peuvent être supprimés, afin d'effacer des données déjà envoyées vers un PC ou une imprimante.

- Dans le menu principal, utilisez les touches ▲ ou ▼ pour sélectionner SYSTEM (SYSTEME). Validez.
- Utilisez les touches ▲ ou ▼ pour sélectionner DATA LOGGER (ENREGISTEUR DE DONNEES), puis validez.
- Utilisez les touches ▲ ou ▼ pour sélectionner Erase (Effacer), puis validez.
- Utilisez les touches ▲ ou ▼ pour sélectionner Measurement data (Données de mesure) ou Electrode report (Rapport d'électrode), puis validez. Validez à nouveau pour supprimer les données. Tout le journal est supprimé.

Envoyer des données vers une imprimante ou un PC

AVIS	
La sortie des données (imprimante ou PC) doit être sélectionnée en premier lieu, afin que le menu Print (Imprimer) soit disponible (reportez-vous à Sélectionner le type de sortie de données à la page 26).	

Remarque : Reportez-vous à la section [Editer un rapport](#) à la page 28 pour sélectionner le type d'édition de rapport.

- Dans le menu principal, utilisez les touches ▲ ou ▼ pour sélectionner SYSTEM (SYSTEME). Validez.

- Utilisez les touches ▲ ou ▼ pour sélectionner DATA LOGGER (ENREGISTEUR DE DONNEES), puis validez.
- Utilisez les touches ▲ ou ▼ pour sélectionner Print (Imprimer), puis validez. Sélectionnez l'une des options suivantes, puis validez en appuyant sur la touche ✓ pour imprimer les données : Measurement data (Données de mesure), Electrode data (Données d'électrode), Calibration data (Données d'étalonnage), Calibration report (Rapport d'étalonnage) or Instrument condit (Conditions de l'appareil).

Editer un rapport

AVIS	
La sortie des données (imprimante ou PC) doit être sélectionnée en premier lieu, afin que le menu Type of report (Type de rapport) soit disponible (reportez-vous à Sélectionner le type de sortie de données à la page 26).	

Différents types d'édition de rapport peuvent être sélectionnés lorsqu'une imprimante ou un PC est connecté.

- Dans le menu principal, utilisez les touches ▲ ou ▼ pour sélectionner SYSTEM (SYSTEME). Validez.
- Utilisez les touches ▲ ou ▼ pour sélectionner le type de rapport, puis validez.
- Lorsqu'une imprimante ou un ordinateur est connecté à l'appareil, utilisez les touches ▲ ou ▼ pour sélectionner

Options	Descriptions
Reduced (Réduit)	Sélectionnez le format de sortie : One (échantillon unique) ou Several (échantillons multiples).

Options	Descriptions
Standard	Sélectionnez le format de sortie : One (échantillon unique) ou Several (échantillons multiples). Sélectionnez Several (Echantillons multiples) : Users (Utilisateurs) : le nom de l'utilisateur apparaît sur le rapport imprimé (17 caractères). Header (En-tête) : le nom de l'entreprise peut être ajouté en guise d'en-tête (40 caractères) et apparaîtra sur le rapport imprimé. Identify sensor (Identifiant capteur) : le modèle et le numéro de série du capteur peuvent être ajoutés afin d'apparaître sur le rapport imprimé.
GLP	Sélectionnez le format de sortie : One (échantillon unique) ou Several (échantillons multiples). Sélectionnez Several (Echantillons multiples) : Users (Utilisateurs) : le nom de l'utilisateur apparaît sur le rapport imprimé (17 caractères). Header (En-tête) : le nom de l'entreprise peut être ajouté en guise d'en-tête (40 caractères) et apparaîtra sur le rapport imprimé. Identify sensor (Identifiant capteur) : le modèle et le numéro de série du capteur peuvent être ajoutés afin d'apparaître sur le rapport imprimé.

4. Lorsqu'un ordinateur est connecté et que ComLabo Easy (reportez-vous à pour plus de renseignements) est sélectionné, utilisez les touches ▲ ou ▼ pour sélectionner

Options	Descriptions
Users (Utilisateurs)	Le nom de l'utilisateur apparaît sur le rapport imprimé (17 caractères).
Identify sensor (Identifiant capteur)	Le modèle et le numéro de série du capteur peuvent être ajoutés afin d'apparaître sur le rapport imprimé.

Maintenance

⚠ AVERTISSEMENT

Dangers multiples. Ne démontez pas l'appareil pour l'entretien. Si les composants internes doivent être nettoyés ou réparés, contactez le fabricant.

⚠ ATTENTION

Risque de blessures corporelles Seul le personnel qualifié est autorisé à entreprendre les opérations décrites dans cette section du manuel.

Nettoyage de l'appareil

AVIS

N'utilisez jamais d'agents de nettoyage tels que térébenthine, acétone ou autres produits similaires pour nettoyer l'appareil, ni son écran et ses accessoires.

Nettoyez l'extérieur de l'appareil avec un chiffon humide et une solution de détergent doux.

Nettoyer la sonde

Nettoyez la sonde selon les besoins. Reportez-vous à la section [Dépannage](#) à la page 31 pour plus d'informations sur le nettoyage. Reportez-vous à la documentation de la sonde pour plus d'informations sur son entretien.

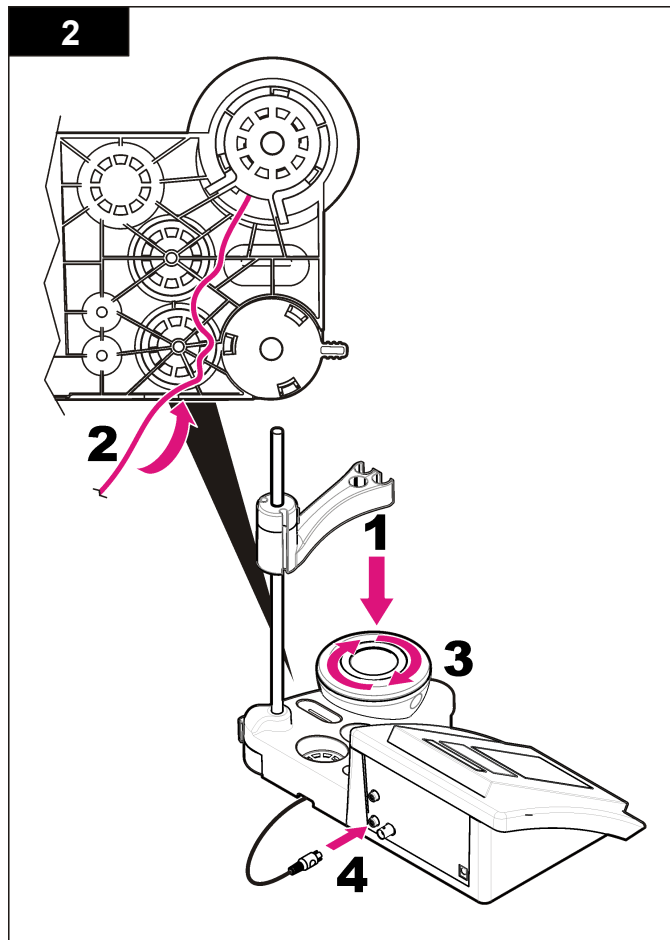
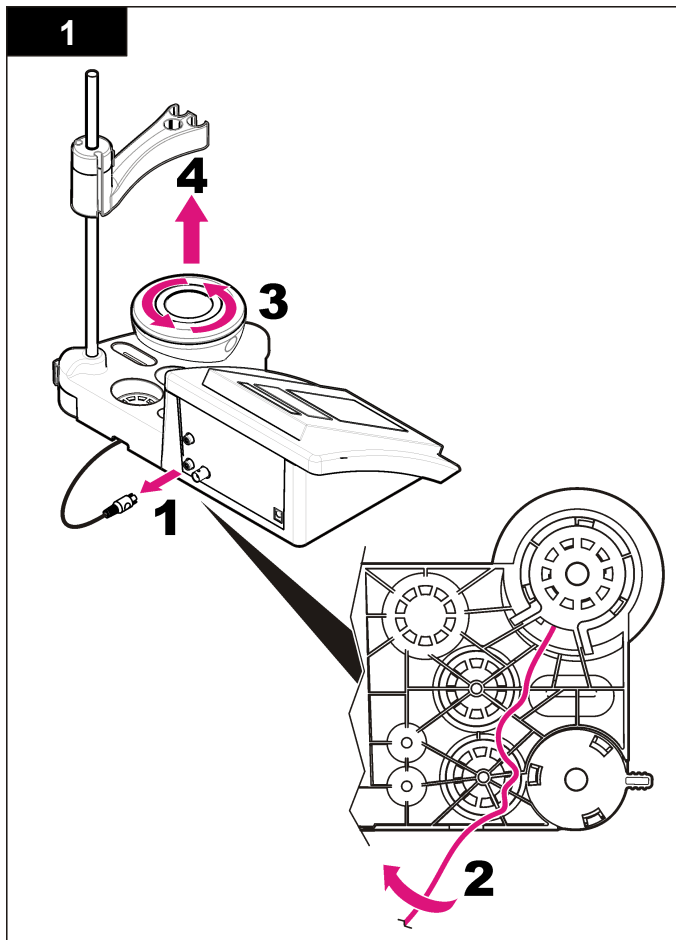
Utilisez les agents nettoyants indiqués [Tableau 1](#) dans les cas de contamination de la sonde pH.

Tableau 1 Agents nettoyants pour la sonde pH

Contamination	Agent nettoyant
Protéines	Solution de nettoyage de pepsine
Graisse, huile, corps gras	Solution de nettoyage d'électrode
Entartrage	Solution de HCl 0,1 N

Remplacer l'agitateur magnétique

Si l'agitateur magnétique ne démarre pas, remplacez-le en respectant les étapes dans l'ordre.



Dépannage

Consulter le tableau ci-dessous des messages ou symptômes les plus courants, pour trouver les causes possibles et actions correctives.

Tableau 2 Avertissements et erreurs d'étalonnage

Erreur/ Avertissement	Solution
Asymétrie > 58 mV	Inclinaison hors plage (valeurs acceptées ± 58 mV). Réétalonnez. Branchez une nouvelle sonde.
Tampon ou électrode en mauvais état.	Réétalonnez. Examen de la sonde : nettoyez la sonde (reportez-vous à la section Nettoyer la sonde à la page 29 pour plus d'informations) ; vérifiez qu'aucune bulle d'air ne s'est formée dans la membrane. Agitez la sonde comme un thermomètre ; branchez une autre sonde pour vérifier si le problème provient de la sonde ou de l'appareil.
Sens. (a) < 70 %	
TAMPON NON RECONNU	Examen de la solution tampon : vérifiez que le tampon est conforme à celui spécifié dans la configuration ; vérifiez que la température est conforme à celle spécifiée dans la configuration ; utilisez une nouvelle solution tampon.
RESULTAT INSTABLE Durée > 100 s	Réétalonnez. Examen de la sonde : nettoyez la sonde (reportez-vous à la section Nettoyer la sonde à la page 29 pour plus d'informations) ; vérifiez qu'aucune bulle d'air ne s'est formée dans la membrane. Agitez la sonde comme un thermomètre ; branchez une autre sonde pour vérifier si le problème provient de la sonde ou de l'appareil. Vérifiez que la membrane et le diaphragme sont correctement immergés dans l'échantillon.

Tableau 2 Avertissements et erreurs d'étalonnage (suite)

Erreur/ Avertissement	Solution
Electrode en mauvais état.	Examen de la sonde : nettoyez la sonde (reportez-vous à la section Nettoyer la sonde à la page 29 pour plus d'informations) ; vérifiez qu'aucune bulle d'air ne s'est formée dans la membrane. Agitez la sonde comme un thermomètre ; branchez une autre sonde pour vérifier si le problème provient de la sonde ou de l'appareil.
Vérification de l'électrode	
TAMPONS IDENTIQUES	Réétalonnez. Examen de la sonde : nettoyez la sonde (reportez-vous à la section Nettoyer la sonde à la page 29 pour plus d'informations) ; vérifiez qu'aucune bulle d'air ne s'est formée dans la membrane. Agitez la sonde comme un thermomètre ; branchez une autre sonde pour vérifier si le problème provient de la sonde ou de l'appareil. Examen de la solution tampon : utilisez une nouvelle solution tampon.

Tableau 3 Avertissements et erreurs de mesure

Erreur/ Avertissement	Solution
pH 12,78, 19 °C	Réétalonnez.
pH hors plage	Examen de la sonde : nettoyez la sonde (reportez-vous à la section Nettoyer la sonde à la page 29 pour plus d'informations) ; vérifiez qu'aucune bulle d'air ne s'est formée dans la membrane. Agitez la sonde comme un thermomètre ; branchez une autre sonde pour vérifier si le problème provient de la sonde ou de l'appareil.
Temp. hors plage (°C)	Examinez le capteur de température. Branchez une autre sonde pour vérifier si le problème provient de la sonde ou de l'appareil.

Tableau 3 Avertissements et erreurs de mesure (suite)

Erreur/ Avertissement	Solution
Durée > 60 s	Vérifiez que la membrane et le diaphragme sont correctement immergés dans l'échantillon. Examinez la température. Examen de la sonde : nettoyez la sonde (reportez-vous à la section Nettoyer la sonde à la page 29 pour plus d'informations) ; vérifiez qu'aucune bulle d'air ne s'est formée dans la membrane. Agitez la sonde comme un thermomètre ; branchez une autre sonde pour vérifier si le problème provient de la sonde ou de l'appareil.
Durée > 150 s	
Durée > 300 s	

Pièces et accessoires de rechange

Remarque : Les numéros de référence de produit et d'article peuvent dépendre des régions de commercialisation. Prenez contact avec le distributeur approprié ou consultez le site web de la société pour connaître les personnes à contacter.

Pièces de rechange

Descriptions	Article n°
Appareil de mesure du pH sensION+ PH3 avec accessoires, sans sonde	LPV2000.97.0002
Appareil de mesure du pH sensION+ PH31, GLP, avec accessoires, sans sonde	LPV2100.97.0002
Appareil de mesure du pH et des ions sensION+ MM340, GLP, deux canaux, avec accessoires, sans sonde	LPV2200.97.0002
Appareil de mesure de la conductivité sensION+ EC7, avec accessoires, sans sonde	LPV3010.97.0002
Appareil de mesure de la conductivité sensION+ EC71, GLP, avec accessoires, sans sonde	LPV3110.97.0002
Appareil de mesure sensION+ MM374, deux canaux, GLP, avec accessoires, sans sonde	LPV4110.97.0002

Consommables

Descriptions	Article n°
Solution tampon pH 4,01, avec certificat, 125 ml	LZW9460.99
Solution tampon pH 7,00, avec certificat, 125 ml	LZW9461.97
Solution tampon pH 10,00, avec certificat, 125 ml	LZW9470.99
Solution tampon pH 4,01, avec certificat, 250 ml	LZW9463.99
Solution tampon pH 7,00, avec certificat, 250 ml	LZW9464.97
Solution tampon pH 10,00, avec certificat, 250 ml	LZW9471.99
Solution tampon pH 4,01, avec certificat, 1 000 ml	LZW9466.99
Solution tampon pH 7,00, avec certificat, 1 000 ml	LZW9467.97
Solution tampon pH 10,00, avec certificat, 1 000 ml	LZW9472.99
Solution électrolytique (KCl 3M), 125 ml	LZW9510.99
Solution électrolytique (KCl 3M), 250 ml	LZW9500.99
Solution électrolytique (KCl 3M), 50 ml	LZW9509.99
Solution électrolytique 0,1 M, 125 ml	LZW9901.99
Solution d'enzymes	2964349
Solution de nettoyage de pepsine	2964349
Solution de nettoyage d'électrode	2965249
Solution de HCl 0,1 N	1481253
Ethanol, 95 % (graisse, huile, corps gras)	2378900

Accessoires

Descriptions	Article n°
Imprimante thermique, RS232, pour appareil de bureau sensION+	LZW8201.99
Papier thermique pour imprimante LZW8201, sac de 5 rouleaux	LZW9117.99
Imprimante matricielle, RS232, pour instruments sensION+	LZW8200.99
Papier thermique pour imprimante LZW8200, sac de 10 rouleaux	LZW9000.99
Ruban pour imprimante LZW8200, 3 unités	LZW9001.99
Logiciel PC LabCom Easy, pour sensION+ GLP, CD, câble, adaptateur USB	LZW8997.99
Logiciel PC LabCom, pour sensION+ GLP, CD, câble, adaptateur USB	LZW8999.99
Câble RS232, pour instruments de bureau sensION+	LZW9135.99
Câble RS232 pour appareil de bureau sensION+, avec adaptateur USB	LZW9135USB.99
Agitateur magnétique avec support de capteur, pour appareil de bureau sensION+ MM	LZW9319.99
3 béciers 50 ml gradués pour étalonnage pH des appareils de bureau	LZW9110.97
Support trois capteurs, pour les instruments de bureau sensION+	LZW9321.99
Support et pince pour trois capteurs	LZW9155.99
Chambre en pyrex, mesures de flux continues	LZW9118.99
Protecteur PP, logement pour électrode	LZW9161.99

Solutions étalons

Solutions tampons techniques (DIN 19267)

Reportez-vous au [Tableau 4](#) pour connaître les valeur pH et ORP (mV) d'un tampon spécifique réglé à diverses températures.

Tableau 4 Valeurs pH, ORP (mV) et température

Température		pH					mV
°C	°F						
0	32	2,01	4,01	7,12	9,52	10,30	—
10	50	2,01	4,00	7,06	9,38	10,17	245
20	68	2,00	4,00	7,02	9,26	10,06	228
25	77	2,00	4,01	7,00	9,21	10,01	220
30	86	2,00	4,01	6,99	9,16	9,96	212
40	104	2,00	4,03	6,97	9,06	9,88	195
50	122	2,00	4,06	6,97	8,99	9,82	178
60	140	2,00	4,10	6,98	8,93	9,76	160
70	158	2,01	4,16	7,00	8,88	—	—
80	176	2,01	4,22	7,04	8,83	—	—
90	194	2,01	4,30	7,09	8,79	—	—

Especificaciones

Las especificaciones están sujetas a cambios sin previo aviso.

Especificación	Detalles
Dimensiones	35 x 20 x 11 cm (13,78 x 7,87 x 4,33 pulg.)
Peso	1100 g (2,43 lb)
Carcasa del medidor	IP42
Requisitos de alimentación (externa)	100–240 V, 0,4 A, 47-63 Hz
Clase de protección del medidor	Clase II
Temperatura de almacenamiento	–15 a +65 °C (5 a +149 °F)
Temperatura de funcionamiento	0 a 40 °C (41 a 104 °F)
Humedad de funcionamiento	< 80% (sin condensación)
Resolución	pH: 0,1/0,01/0,001, ORP: 0,1/1 mV, temperatura: 0,1 °C (0,18 °F)
Error de medición (± 1 dígito)	pH: ≤ 0,002, ORP: ≤ 0,2 mV, temperatura: ≤ 0,2 °C (≤ 0,36 °F)
Reproducibilidad (± 1 dígito)	pH: ± 0,001, ORP: ± 0,1 mV, temperatura: ± 0,1 °C (± 0,18 °F)
Almacenamiento de datos	330 resultados y 9 últimas calibraciones
Conexiones	Sonda de indicador o combinada: Conector BNC (Imp. >10 ¹² Ω); Electrodo de referencia: conector con punta cónica; tipo A.T.C. Pt 1000: conector con punta cónica o telefónico; agitador magnético: conector RCA RS232C para impresora o PC: conector telefónico; teclado de PC externo: conector mini DIN

Especificación	Detalles
Corrección de temperatura	Manual, sonda de temperatura Pt 1000 (A.T.C.), sonda de 10 kΩ NTC pH isopotencial programable, valor estándar 7,00
Bloqueo de pantalla de medición	Medición continua, por estabilidad y por tiempo medición
Pantalla	Cristal líquido, retroiluminada, 128 x 64 puntos
Teclado	PET con tratamiento de protección
Certificación	CE

Información general

Las ediciones revisadas se encuentran en la página web del fabricante.

Información de seguridad

Lea todo el manual antes de desembalar, instalar o trabajar con este equipo. Ponga atención a todas las advertencias y avisos de peligro. El no hacerlo puede provocar heridas graves al usuario o daños al equipo.

Para garantizar que no disminuya la protección que ofrece este producto, no use o instale el equipo de manera diferente a la especificada en este manual.

Utilización de la información sobre riesgos

PELIGRO

Indica una situación potencial o de riesgo inminente que, de no evitarse, provocará la muerte o lesiones graves.

ADVERTENCIA

Indica una situación potencial o inminentemente peligrosa que, de no evitarse, podría provocar la muerte o lesiones graves.

PRECAUCIÓN

Indica una situación potencialmente peligrosa que podría causar un accidente o daño menor.

AVISO

Indica una situación que, si no se evita, puede provocar daños al instrumento. Información que requiere énfasis especial.

Etiquetas de precaución

Lea todas las etiquetas y rótulos adheridos al instrumento. En caso contrario, podrían producirse heridas personales o daños en el instrumento. Se incluye un símbolo, en caso de estar rotulado en el equipo, con una indicación de peligro o de advertencia en el manual.



Este símbolo (en caso de estar colocado en el equipo) refiere a las instrucciones de operación o bien la información de seguridad.



El equipo eléctrico marcado con este símbolo no se podrá desechar por medio de los sistemas europeos públicos de eliminación después del 12 de agosto de 2005. En cumplimiento de las reglamentaciones nacionales y locales (directiva europea 2002/98/CE), los usuarios de equipos eléctricos deben devolver los equipos viejos o los que han alcanzado el término de su vida útil al fabricante para su eliminación gratuita.

Nota: Para devolver los equipos para reciclaje, comuníquese con el fabricante o distribuidor para obtener instrucciones acerca de cómo devolver equipos que han alcanzado el término de su vida útil, accesorios eléctricos suministrados por el fabricante y todo elemento auxiliar, para su eliminación.

Descripción general del producto

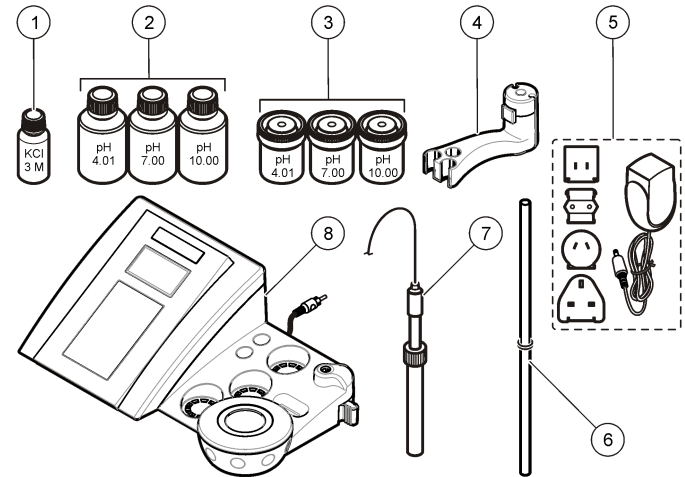
Los medidores sensION™+ se utilizan con sondas para medir diversos parámetros en agua.

El medidor PH31 sensION™+ mide el pH, ORP (mV) o la temperatura. Los datos de medición se pueden guardar y transferir a una impresora o PC.

Componentes del producto

Consulte la [Figura 1](#) para asegurarse de que se han recibido todos los componentes. Si faltan artículos o están dañados, póngase en contacto con el fabricante o el representante de ventas inmediatamente.

Figura 1 Componentes del medidor

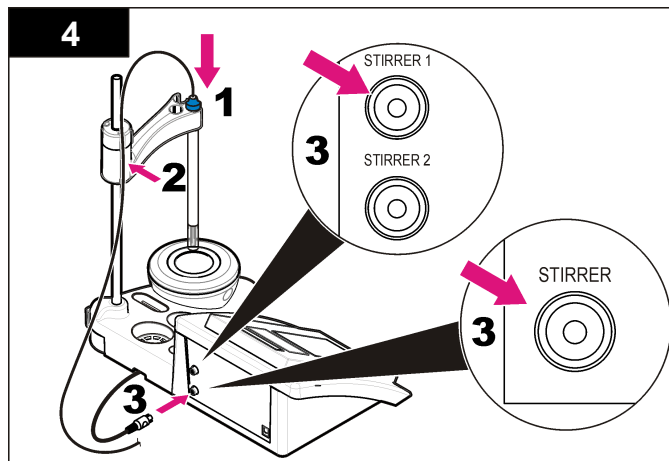
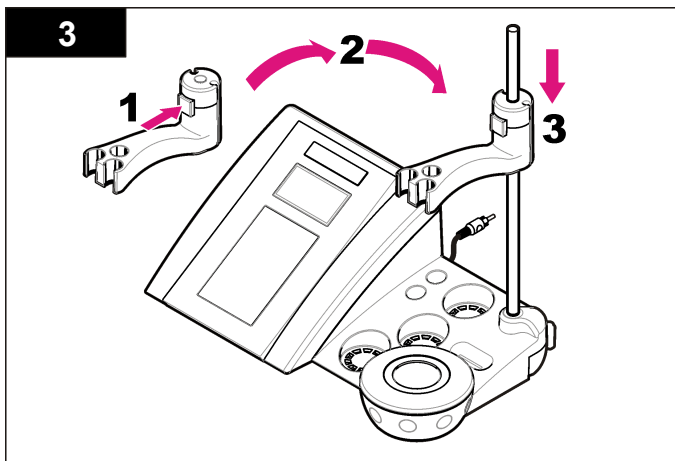
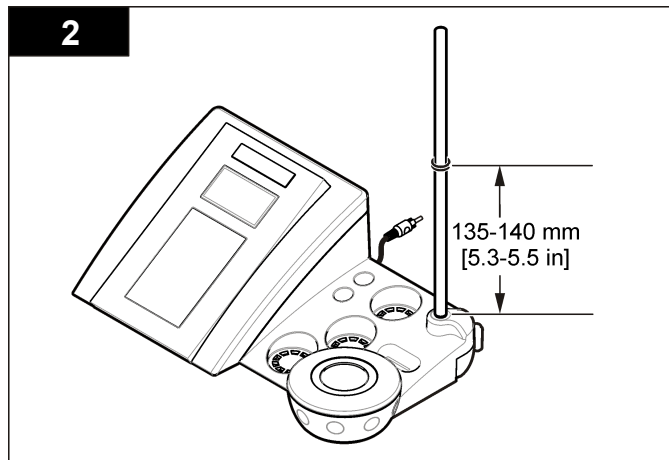
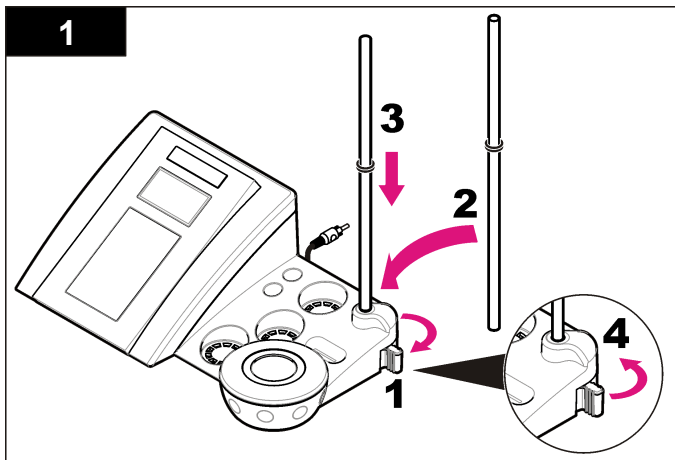


1 Electrolitos para la sonda	5 Fuente de alimentación
2 Soluciones buffer (pH 4,01, pH 7,00 y pH 10,00)	6 Varilla con junta tórica
3 Vasos de precipitados de calibración (con barra magnética interna)	7 Sonda (sólo incluida en los kits)
4 Portasondas	8 Medidor

Instalación


Ensamblar el portasondas

Siga los pasos que se indican a continuación para ensamblar el portasondas y conectar el agitador magnético.



Conectar a la alimentación de CA

⚠ PELIGRO

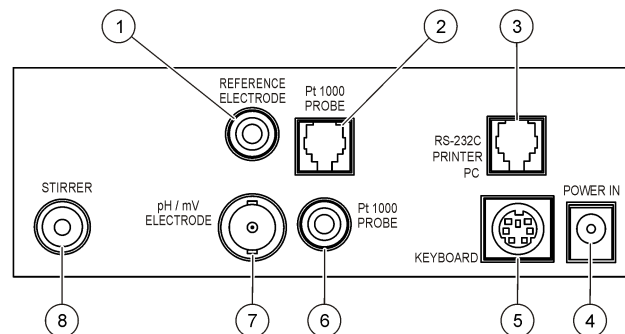


Peligro de electrocución. Si este equipo se usa en exteriores o en lugares potencialmente húmedos, debe usarse un disyuntor de interrupción de circuito por falla a tierra (GFCI/GFI) para conectar el equipo a la alimentación eléctrica.

El medidor puede utilizar alimentación de CA con el adaptador de corriente universal.

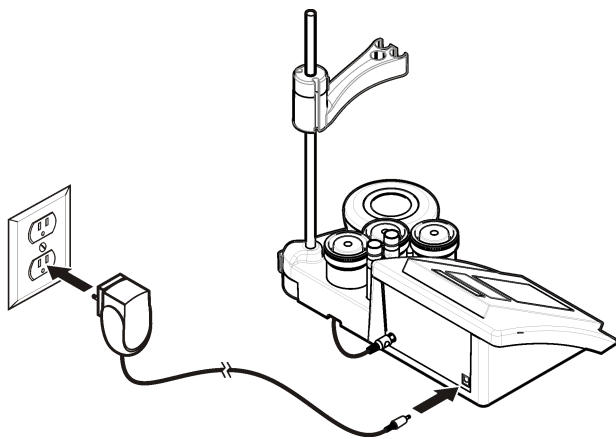
1. Seleccione el conector del adaptador correcto para la toma de alimentación en el kit del adaptador.
2. Conecte el adaptador de corriente universal al medidor (Figura 2).
3. Conecte el adaptador de corriente universal a un receptáculo de CA (Figura 3).
4. Encienda el medidor.

Figura 2 Panel conector



1 Conector del electrodo de referencia (electrodos separados)	5 Teclado de PC, conector mini DIN
2 Conector de la sonda de temperatura separado	6 Conector de sonda de temperatura
3 RS-232 para conector de PC o de impresora	7 Conector de electrodo de pH combinado (o indicador)
4 Fuente de alimentación	8 Conector del agitador magnético

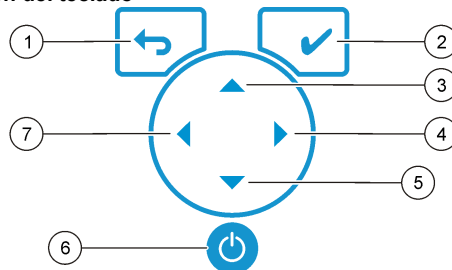
Figura 3 Conexión de la alimentación de CA



Interfaz del usuario y navegación

Interfaz del usuario

Descripción del teclado

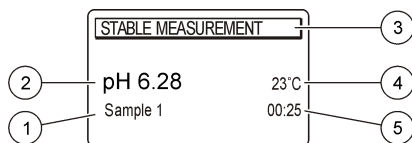


1 Tecla de retroceso: cancela o sale de la pantalla de menú actual y vuelve a la pantalla de menú anterior.	5 Tecla abajo: se desplaza a otras opciones, cambia un valor.
2 Tecla de medición: confirma la opción seleccionada.	6 ON/OFF: enciende o apaga el medidor.
3 Tecla arriba: se desplaza a otras opciones, cambia un valor.	7 Tecla izquierda: cambia la unidad de medición, introduce números y letras.
4 Tecla derecha: cambia la unidad de medición, introduce números y letras.	

Descripción de la pantalla

La pantalla del medidor muestra la concentración, unidades, temperatura, el estado de calibración, ID del operador, ID de la muestra, la fecha y la hora.

Figura 4 Pantalla única



1 ID de la muestra	4 Temperatura de la muestra (°C o °F)
2 Unidad de medición y valor (pH, ORP (mV))	5 Temporizador de medición visual
3 Modo de medición o fecha y hora	

Navegación

Utilice para volver al menú anterior. Utilice la tecla de medición para tomar una medición de la muestra o para confirmar las opciones. Utilice las teclas de flecha para desplazarse a otras opciones o para cambiar un valor. Para cambiar los parámetros, utilice las teclas de flecha . Consulte cada tarea para obtener instrucciones específicas.

Puesta en marcha

Encienda y apague el medidor

AVISO

Asegúrese de que la sonda está conectada al medidor antes de encenderlo.

Pulse para encender o apagar el medidor. Si el medidor no se enciende, asegúrese de que la fuente de alimentación de CA está debidamente conectada a una toma eléctrica.

Cambio del idioma

El idioma de visualización se selecciona cuando se enciende el medidor por primera vez.

1. Utilice para seleccionar un idioma de una lista.
2. Confirme con . La pantalla de medición muestra DATA OUTPUT (Salida de datos).

3. Seleccione Deactivated (Desactivado) si no se conecta ninguna impresora ni PC, y confirme. Consulte [Seleccione la salida de datos](#) en la página 42 para obtener más información sobre la salida de datos.

Operaciones estándar

Calibración

▲ ADVERTENCIA

Peligro por exposición química. Respete los procedimientos de seguridad del laboratorio y utilice el equipo de protección personal adecuado para las sustancias químicas que vaya a tratar. Consulte los protocolos de seguridad en las hojas de datos actuales de seguridad de los materiales (MSDS).

Configuración de calibración

La configuración de calibración contiene el tipo y la frecuencia de calibración y las opciones de pantalla.

1. En el menú principal, utilice para seleccionar CALIBRATION (Calibración). Confirme.
2. Utilice para acceder al menú de calibración.
3. Utilice para seleccionar las siguientes opciones:

Opción	Descripción
Stability c. (Estabilidad C.):	Criterio por estabilidad - Seleccione Fast (Rápido), Standard (Estándar) o Strict (Estricto).
Calibration type (Tipo de calibración)	Calibration type (Tipo de calibración): seleccione Technical buffers (Búferes técnicos), DIN19266 Buffers (Búferes DIN19266), User Buffers (Búferes de usuario), To a X value (A un valor X), data introduction (Introducción de datos) o Theoretical calibration (Calibración teórica). Consulte Calibration types para obtener más información.

Opción	Descripción
Cal. frequency (Frecuencia de calibración)	Recordatorio de calibración que puede establecerse entre 0 y 7 días (diariamente de forma predeterminada). La pantalla muestra el tiempo restante hasta la nueva calibración. Consulte Active el recordatorio de calibración en la página 41 para obtener más información.
Display mV (Mostrar mV)	Seleccione YES (Sí) o NO para mostrar mV.
Standard 220 mV (220 mV estándar)	Standard 220 mV (220 mV estándar): Se calibra con una solución patrón de 220 mV
To a X value (A un valor X)	To a X value (A un valor X): Utilice una solución patrón específica. Ajuste el valor durante la calibración.
Data introduction (Introducción de datos)	Data introduction Compensation (Compensación de introducción de datos): Introduzca el valor de compensación.
Factory adjust (Ajuste de fábrica)	Factory adjust (Ajuste de fábrica): Introduzca el valor de compensación

Tipos de calibración

Se pueden seleccionar distintos tipos de calibración.

1. En el menú principal, utilice ▲ o ▼ para seleccionar CALIBRATION (Calibración). Confirme.
2. Utilice ▲ para acceder al menú de calibración.
3. Utilice ▲ o ▼ para seleccionar el tipo de calibración.

Opción	Descripción
Technical buffers (Búferes técnicos)	pH 2,00, 4,01, 7,00, 9,21 y 10,90 a 25 °C (77 °F)
DIN19266 Buffers (Búferes DIN19266)	pH 1,679, 4,006, 6,865, 7,000, 9,180, 10,012 y 12,454



Opción	Descripción
User Buffers (Búferes de usuario)	Se seleccionan cuando los búferes técnicos o DIN19266 no se utilizan. Consulte en Soluciones buffer técnicas (DIN 19267) en la página 49 los valores de pH de series de soluciones buffer con variaciones de temperatura.
Calibration to an X value (Calibración a un valor X)	Para ajustar manualmente cualquier valor de escala del pH medido.
Data introduction (Introducción de datos)	Introducción constante de la sonda manual.
Theoretical calibration (Calibración teórica)	Los datos de la calibración de la sonda se sustituyen a 25 °C (77 °F).

Procedimiento de calibración

Este procedimiento se utiliza generalmente con soluciones líquidas de calibración. Consulte los documentos suministrados con cada sonda para obtener información adicional.

Nota: La solución se debe mezclar durante la calibración. Para obtener más información sobre los ajustes de la mezcla, consulte [Cambie la configuración de la mezcla](#) en la página 43.




1. Vierta las soluciones buffer o de calibración en los vasos de precipitados de calibración etiquetados.
2. En el menú principal, utilice ▲ o ▼ y ◀▶ para seleccionar el parámetro CALIBRATION (Calibración). Confirme.
3. Si es necesario, seleccione el ID del operador (de 1 a 10) y confirme.
4. Enjuague la sonda con agua desionizada e introdúzcala en el primer vaso de precipitados de calibración. Asegúrese de que no hay burbujas de aire en la membrana.
5. Pulse ✓ para iniciar la calibración.
6. Pulse ✓ para medir la primera solución de calibración. Se muestra la siguiente solución de calibración.
7. Enjuague la sonda con agua desionizada e introdúzcala en el primer vaso de precipitados de calibración. Asegúrese de que no hay burbujas de aire en la membrana.

8. Pulse  para medir la segunda solución de calibración. Se muestra la siguiente solución de calibración.
9. Enjuague la sonda con agua desionizada e introdúzcala en el primer vaso de precipitados de calibración. Asegúrese de que no hay burbujas de aire en la membrana.
10. Pulse  para medir la tercera solución de calibración. Cuando la calibración es correcta, en la pantalla se muestra brevemente Calibration OK (Calibración correcta) y, a continuación, se vuelve al menú principal.

Nota: Cuando se conecta una impresora, el menú de impresión se abre y se puede imprimir el resultado.

Visualizar los datos de calibración




Se pueden mostrar los datos de la calibración más reciente.







1. En el menú principal, utilice  o  para seleccionar DATA LOGGER (Registrador de datos). Confirme.
2. Seleccione Display data (Desplegar datos).
3. Seleccione Calibration data (Datos de calibración) y confirme con . Se muestran los datos de la última calibración.
 - pH: se muestran los valores de pendiente y compensación alternando con la desviación (en %) y la temperatura de calibración.
 - ORP: se muestran el valor de mV medido y la temperatura de calibración.
 - Conductividad: se muestra la constante de cubeta y la temperatura de calibración para cada patrón.

Active el recordatorio de calibración

El recordatorio de calibración se puede ajustar entre las 0 y las 23 horas, o de 1-7 días (0 días de forma predeterminada) La pantalla muestra el tiempo restante hasta la nueva calibración.





Nota: Cuando se selecciona el valor 0 días, el recordatorio de calibración se desactiva.

1. En el menú principal, utilice  o  para seleccionar CALIBRATION (Calibración). Confirme.
2. Utilice  para acceder al menú de calibración.


3. Utilice  o  para seleccionar Cal. frequency (Frecuencia de calibración), y confirme.
4. Utilice  para avanzar al siguiente paso y utilice  o  para cambiar el valor. Confirme. Pulse  para iniciar la calibración.

Mediciones de muestra

Cada sonda tiene unos pasos y procedimientos específicos de preparación para llevar a cabo las mediciones de muestras.

1. En el menú principal, utilice  o  y  para seleccionar MEASURE (Medición). Confirme.
2. Utilice  para cambiar la siguiente configuración. Confirme cada entrada.

Opción	Descripción
Resolución	Seleccione la resolución: 1, 0,1, 0,01 (predeterminado) o 0,001
Medición	Stability (Estabilidad): seleccione el criterio por estabilidad: Fast (Rápido) (variación < 0,02 pH en 6 s), Standard (Estándar) (variación < 0,01 pH en 6 s) o Strict (Estricto) (variación < 0,002 pH en 6 s). In continuous (En continuo): introduzca el intervalo de hora para el intervalo de adquisición continua (almacenamiento de datos o impresión de datos). By time (Por tiempo): introduzca el intervalo de tiempo para el almacenamiento de datos o la impresión de datos.
Display mV (Mostrar mV)	Display mV (Mostrar mV): seleccione YES (Sí) o NO para mostrar el mV.
Limits (Límites)	Limits (Límites): seleccione YES (Sí) o NO. YES (Sí); Introduzca los límites superiores e inferiores. Aparece una advertencia acústica cuando la medición está fuera del límite. El resultado del informe muestra una A junto al valor medido cuando la medición se encuentra fuera del límite.
Isopotential (Isopotencial)	Isopotential (Isopotencial): cambie el valor de pH isopotencial en la introducción de datos. Seleccione Calculate (Calcular) para volver a calibrar la sonda.







- Pulse  para iniciar la medición.

Nota: Si la medición no se estabiliza transcurridos 120 segundos, el medidor pasa automáticamente al modo de medición continua.

Operaciones avanzadas

Usar un ID de la muestra







La etiqueta ID de la muestra se usa para asociar mediciones con ubicaciones de muestras en particular. Si se asocian, los datos guardados incluirán este ID.

- En el menú principal, utilice  o  para seleccionar SYSTEM (Sistema). Confirme.
- Utilice  o  para seleccionar Sample ID (ID de la muestra) y confirme.
- Utilice  o  para seleccionar

Opción	Descripción
Automatic (Automática)	Un número consecutivo se asignará automáticamente a cada muestra.
Manual	Es necesario un teclado o un escáner de código de barras para introducir el nombre de ID de muestra antes de realizar la medición (15 caracteres como máximo).

Seleccione la salida de datos

Los datos se pueden guardar o transferir a una impresora o a un PC.









- En el menú principal, utilice  o  para seleccionar SYSTEM (Sistema). Confirme.
- Utilice  o  para seleccionar Data Output (Salida de datos), y confirme.
- Utilice  o  para seleccionar

Opción	Descripción
Deactivated (Desactivado)	Seleccione Deactivated (Desactivado) si no se conecta ningún PC o impresora.







Opción	Descripción
For Printer (Para impresora)	Seleccione la impresora de matriz de puntos o la impresora térmica.
For Computer (Para ordenador)	Seleccione Terminal, ComLabo o ComLabo Easy. El software ComLabo controla varios módulos, medidores de pH y conductividad, pipetas automáticas, muestreadores, etc. en el ordenador. El software ComLabo Easy obtiene datos de pH y conductividad de un PC.

Cambio de la fecha y la hora

Se puede cambiar la fecha y la hora desde el menú Date / Time (Fecha/Hora).

- En el menú principal, utilice  o  para seleccionar SYSTEM (Sistema). Confirme.
- Utilice  o  para seleccionar Date / Time (Fecha/Hora) y confirme.
- Utilice  y  para avanzar al siguiente paso y utilice  o  para cambiar un valor. Confirme.
La fecha y hora actuales se mostrarán en la pantalla.

Ajustar del contraste de la pantalla

- En el menú principal, utilice  o  para seleccionar SYSTEM (Sistema). Confirme.
- Utilice  o  para seleccionar Display contrast (Contraste de la pantalla) y confirme.
- Utilice  o  para ajustar el contraste de la pantalla y confirme.

Ajustar la temperatura

La medición de la temperatura se puede ajustar a 25 °C (77 °F) y/u 85 °C (185 °F) para aumentar la precisión.

- Coloque la sonda y el termómetro de referencia en un recipiente con agua a 25 °C aproximadamente, y espere hasta que la temperatura se estabilice.

2. Compare la temperatura leída por el medidor con la del termómetro de referencia. La diferencia es el valor de ajuste del medidor. Por ejemplo: termómetro de referencia: 24,5 °C. Medidor: 24,3 °C. Valor de ajuste: 0,2 °C.
3. Introduzca el valor de ajuste para la lectura de 25 °C:
 - a. Desde el menú principal, utilice ▲ o ▼ para seleccionar SYSTEM (Sistema). Confirme.
 - b. Utilice ▲ o ▼ para seleccionar Readjust temp (Reajustar temperatura). y confirme.
 - c. Utilice ▲ o ▼ para seleccionar la temperatura de 25 °C y confirme.
 - d. Utilice las teclas de flecha para introducir el valor de ajuste para 25 °C y confirme.
4. Coloque la sonda y un termómetro de referencia en un recipiente de agua a 85 °C aproximadamente y espere hasta que la temperatura se estabilice.
5. Compare la temperatura del medidor con la del termómetro de referencia. La diferencia es el valor de ajuste para el medidor.
 - a. Utilice ▲ o ▼ para seleccionar 85 °C y confirme.
 - b. Utilice las teclas de flecha para introducir el valor de ajuste para 85 °C y confirme.
 - c. Seleccione Save changes (Guardar cambios) y confirme.

Cambie la configuración de la mezcla

El agitador magnético se puede activar y la velocidad de la mezcla se puede cambiar en el menú Stirring (Mezcla).

1. En el menú principal, utilice ▲ o ▼ para seleccionar SYSTEM (Sistema). Confirme.
2. Utilice ▲ o ▼ para seleccionar Stirring (Mezcla), y confirme.
3. Para activar o desactivar el agitador, pulse ✓.
4. Cuando se activa el agitador, utilice ▲ o ▼ para cambiar la velocidad de la mezcla en %.

Nota: Utilice ▲ o ▼ para cambiar la velocidad de la mezcla durante la calibración y durante una medición.

Cambiar las unidades de temperatura

Las unidades de temperatura se pueden cambiar a Celsius o Fahrenheit.

1. En el menú principal, utilice ▲ o ▼ para seleccionar SYSTEM (Sistema). Confirme.
2. Utilice ▲ o ▼ para seleccionar las unidades de temperatura, y confirme.
3. Utilice ▲ o ▼ para seleccionar entre Celsius o Fahrenheit, y confirme.

Registrador de datos

Desplegar datos

El registro Display data (Desplegar datos) contiene datos de medición, el informe de electrodos y los datos de calibración. Los datos almacenados se pueden enviar a una impresora o a un PC. Cuando se llena el registro de datos (400 puntos de datos), los puntos de datos más antiguos se borran cuando se agrega un nuevo punto de datos.

1. En el menú principal, utilice ▲ o ▼ para seleccionar SYSTEM (Sistema). Confirme.
2. Utilice ▲ o ▼ para seleccionar DATA LOGGER (Registrador de datos), y confirme.
3. Utilice ▲ o ▼ para seleccionar Display data (Desplegar datos), y confirme.
4. Utilice ▲ o ▼ para seleccionar

Opción	Descripción
Medición datos	Measurement data (Datos de medición): almacena estos datos automáticamente cada vez que se mide una muestra.
Electrode report (Informe de electrodos)	Electrode report (Informe de electrodos): almacena automáticamente el historial de electrodos y las condiciones de medición
Calibration data (Datos de calibración)	Calibration data (Datos de calibración): almacena automáticamente la calibración actual

Suprimir datos

Se pueden borrar todos los datos de medición o el registro del informe de electrodos para eliminar los datos que ya se han enviado a una impresora o PC.

1. En el menú principal, utilice ▲ o ▼ para seleccionar SYSTEM (Sistema). Confirme.
2. Utilice ▲ o ▼ para seleccionar DATA LOGGER (Registrador de datos), y confirme.
3. Utilice ▲ o ▼ para seleccionar Erase (Borrar), y confirme.
4. Utilice ▲ o ▼ para seleccionar Measurement data (Datos de medición) o Electrode report (Informe de electrodos), y confirme. Vuelva a confirmar para borrar los datos.
Se borra el registro por completo.

Enviar datos a una impresora o a un equipo

AVISO

La salida de datos (impresora o PC) debe seleccionarse en primer lugar, de modo que el menú Print (Imprimir) esté disponible (consulte [Seleccione la salida de datos](#) en la página 42).

Nota: Consulte [Salida de informes](#) en la página 44 para seleccionar el tipo de salida del informe.

1. En el menú principal, utilice ▲ o ▼ para seleccionar SYSTEM (Sistema). Confirme.
2. Utilice ▲ o ▼ para seleccionar DATA LOGGER (Registrador de datos), y confirme.
3. Utilice ▲ o ▼ para seleccionar Print (Imprimir), y confirme. Seleccione una de las siguientes opciones y confirme con ✓ para imprimir los datos: datos de medición, datos de electrodo, datos de calibración, informe de calibración o condición de instrumento.

Salida de informes

AVISO

La salida de datos (impresora o PC) debe seleccionarse en primer lugar, de modo que el menú Type of report (Tipo de informe) esté disponible (consulte [Seleccione la salida de datos](#) en la página 42).

Se pueden seleccionar distintos tipos de salida de informes cuando se conecta una impresora o un PC.

1. En el menú principal, utilice ▲ o ▼ para seleccionar SYSTEM (Sistema). Confirme.
2. Utilice ▲ o ▼ para seleccionar Type of report (Tipo de informe) y confirme.
3. Cuando una impresora o un PC y un terminal se conectan, utilice ▲ o ▼ para realizar la selección

Opción	Descripción
Reduced (Reducido)	Seleccione Several (Varios) o One sample (Una muestra) como formato de salida.
Standard (Estándar)	Seleccione Several (Varios) o One sample (Una muestra) como formato de salida. Seleccione Several (Varios): Users (Usuarios): El nombre del usuario aparece en el informe impreso (17 caracteres). Header (Cabecera): El nombre de la empresa se puede añadir como cabecera (40 caracteres) y aparece en el informe impreso. Identify sensor (Identificar sensor): Se puede añadir el modelo y el número de serie del sensor y aparecer en el informe impreso.
GLP (BPL)	Seleccione Several (Varios) o One sample (Una muestra) como formato de salida. Seleccione Several (Varios): Users (Usuarios): El nombre del usuario aparece en el informe impreso (17 caracteres). Header (Cabecera): El nombre de la empresa se puede añadir como cabecera (40 caracteres) y aparece en el informe impreso. Identify sensor (Identificar sensor): Se puede añadir el modelo y el número de serie del sensor y aparecer en el informe impreso.

4. Cuando se conecta un ordenador y se selecciona ComLabo Easy (consulte esta función para obtener más información), utilice ▲ o ▼ para seleccionar

Opción	Descripción
Users (Usuarios)	El nombre de usuario aparece en el informe impreso (17 caracteres).
Identify sensor (Identificar sensor)	Se puede añadir el modelo y número de serie del modelo y aparecer en el informe impreso.

Mantenimiento

▲ ADVERTENCIA

Peligros diversos. No desmonte el instrumento para el mantenimiento. Si es necesario limpiar o reparar los componentes internos, póngase en contacto con el fabricante.

▲ PRECAUCIÓN

Peligro de lesión personal. Las tareas descritas en esta sección del manual deben ser realizadas sólo por personal cualificado.

Limpeza del instrumento

AVISO

Nunca utilice productos de limpieza como aguarrás, acetona o productos similares para limpiar el instrumento, incluidos la pantalla y los accesorios.

Limpe el exterior del instrumento con un paño húmedo y una solución jabonosa suave.

Limpiar la sonda

Limpe la sonda según sea necesario. Consulte [Solución de problemas](#) en la página 47 para obtener más información sobre la limpieza. Consulte la documentación de la sonda para obtener información sobre el mantenimiento de la sonda.

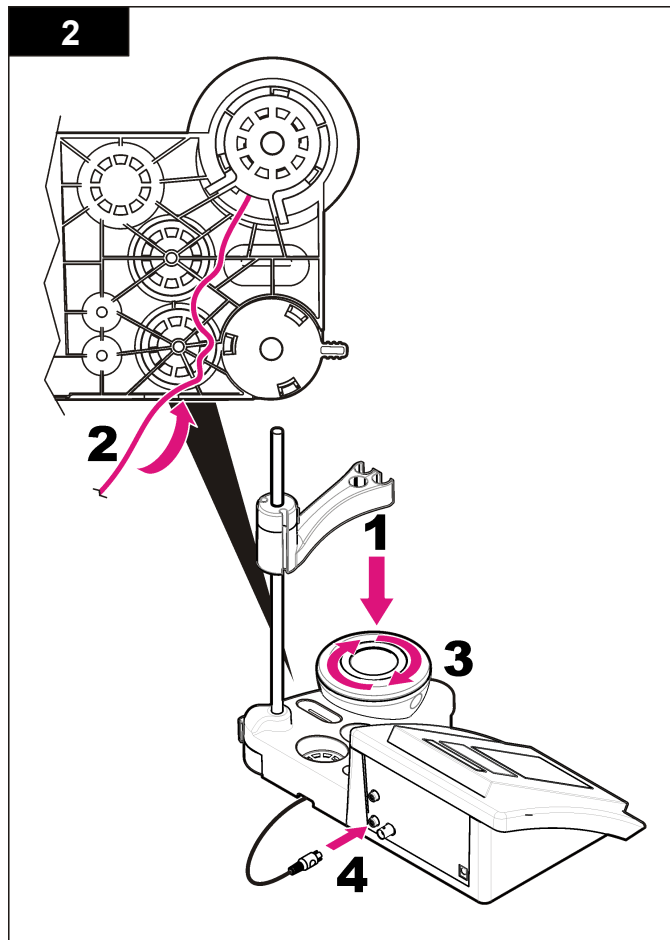
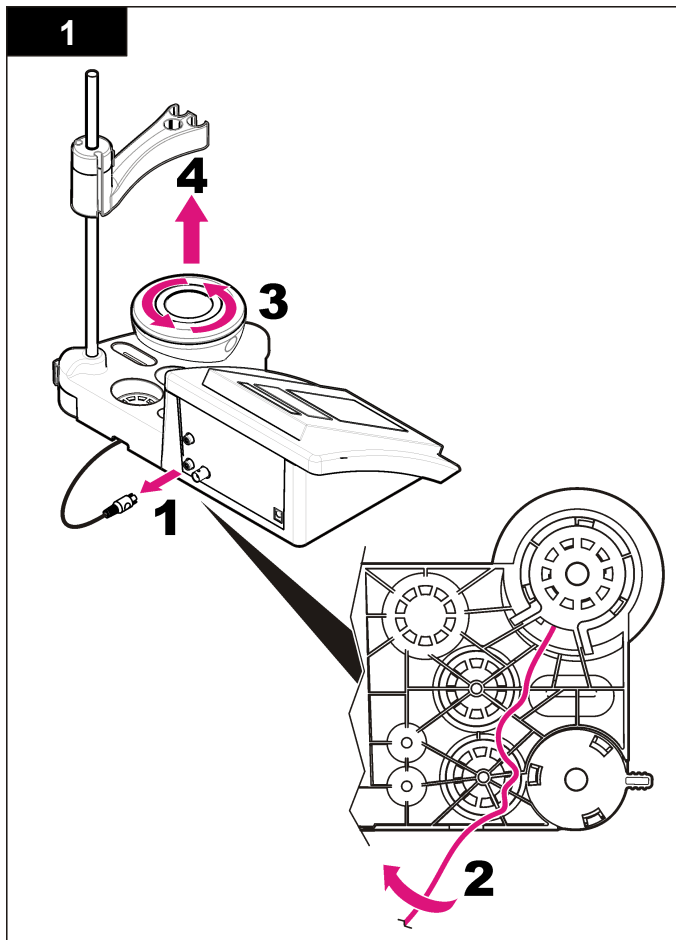
Utilice los agentes limpiadores especificados en [Tabla 1](#) para comprobar los contaminantes en la sonda de pH.

Tabla 1 Agentes limpiadores para la sonda de pH

Contaminación	Agente limpiador
Proteínas	Solución limpiadora de pepsina
Aceites y grasas	Solución de limpieza de electrodos
Depósito calcáreo	Solución de HCl 0,1 N

Sustituya el agitador magnético

Si el agitador magnético no se inicia, siga los pasos que se indican para sustituir el agitador magnético.



Solución de problemas

Consulte la siguiente tabla para ver los mensajes o síntomas de los problemas comunes, las posibles causas y acciones correctivas.

Tabla 2 Advertencias de calibración y errores

Error/advertencia	Solución
Asymmetry > 58 mV (Asimetría > 58 mV)	Pendiente fuera de rango (valores aceptados ± 58 mV). Volver a calibrar. Conectar una nueva sonda.
Buffer or electrode in poor conditions. (Búfer o electrodo en condiciones deficientes.)	Volver a calibrar. Examinar la sonda: Limpiar la sonda (consulte Limpiar la sonda en la página 45 para obtener más información); asegúrese de que no hay burbujas de aire en la membrana. Agite la sonda como un termómetro; Conecte una sonda diferente para verificar si el problema es con la sonda o con el medidor.
Sens. (a) < 70%	
BUFFER NOT RECOGNIZED (Búfer no reconocido)	Examine la solución buffer: Asegúrese de que el búfer utilizado coincide con el búfer especificado en la configuración; asegúrese de la especificación de temperatura en la configuración; utilice una nueva solución buffer.
UNSTABLE READING (Lectura inestable) Time t > 100 s (Tiempo t > 100 s)	Volver a calibrar. Examinar la sonda: Limpiar la sonda (consulte Limpiar la sonda en la página 45 para obtener más información); asegúrese de que no hay burbujas de aire en la membrana. Agite la sonda como un termómetro; conecte una sonda diferente para verificar si el problema es con la sonda o con el medidor. Asegúrese de que la membrana y el diafragma se han sumergido correctamente en la muestra.

Tabla 2 Advertencias de calibración y errores (continúa)

Error/advertencia	Solución
Electrode in poor conditions. (Electrodo en condiciones deficientes).	Examinar la sonda: Limpiar la sonda (consulte Limpiar la sonda en la página 45 para obtener más información); asegúrese de que no hay burbujas de aire en la membrana. Agite la sonda como un termómetro; conecte una sonda diferente para verificar si el problema es con la sonda o con el medidor.
Check the electrode (Compruebe el electrodo)	
SAME BUFFERS (BÚFERES IGUALES)	Volver a calibrar. Examinar la sonda: Limpiar la sonda (consulte Limpiar la sonda en la página 45 para obtener más información); asegúrese de que no hay burbujas de aire en la membrana. Agite la sonda como un termómetro; conecte una sonda diferente para verificar si el problema es con la sonda o con el medidor. Examine la solución buffer: Utilice una nueva solución buffer.

Tabla 3 Advertencias y errores de medición

Error/advertencia	Solución
pH 12,78 19 °C	Volver a calibrar.
pH out of range (pH fuera de rango)	Examinar la sonda: Limpiar la sonda (consulte Limpiar la sonda en la página 45 para obtener más información); asegúrese de que no hay burbujas de aire en la membrana. Agite la sonda como un termómetro; conecte una sonda diferente para verificar si el problema es con la sonda o con el medidor.
Temp out of range °C (Temperatura fuera de rango °C)	Examine el sensor de temperatura. Conecte una sonda diferente para verificar si el problema es con la sonda o con el medidor.

Tabla 3 Advertencias y errores de medición (continúa)

Error/advertencia	Solución
Time > 60 s (Tiempo > 60 s)	Asegúrese de que la membrana y el diafragma se han sumergido correctamente en la muestra.
Time > 150 s (Tiempo > 150 s)	Examine la temperatura.
Time > 300 s (Tiempo > 300 s)	Examinar la sonda: Limpiar la sonda (consulte Limpiar la sonda en la página 45 para obtener más información); asegúrese de que no hay burbujas de aire en la membrana. Agite la sonda como un termómetro; Conecte una sonda diferente para verificar si el problema es con la sonda o con el medidor.

Piezas de repuesto y accesorios

Nota: Los números de producto y artículo pueden variar para algunas regiones de venta. Comuníquese con el distribuidor correspondiente o visite el sitio Web de la compañía para obtener la información de contacto.

Piezas de repuesto

Descripción	Referencia
Medidor de pH PH3 Lab sensION+ con accesorios, sin sonda	LPV2000.97.0002
medidor de pH PH31 Lab sensION+, GLP, con accesorios, sin sonda	LPV2100.97.0002
Medidor MM340 Lab pH & Ion sensION+, GLP, 2 canales, con accesorios, sin sonda	LPV2200.97.0002
Medidor de conductividad EC7 Lab sensION+, con accesorios, sin sonda	LPV3010.97.0002
Medidor de conductividad EC71 Lab sensION+, GLP, con accesorios, sin sonda	LPV3110.97.0002
Medidor de laboratorio de 2 canales MM374 sensION+, GLP, accesorios, sin sondas	LPV4110.97.0002

Consumibles

Descripción	Referencia
Solución buffer de pH 4,01, con certificado, 125 ml	LZW9460.99
Solución buffer de pH 7,00, con certificado, 125 ml	LZW9461.97
Solución buffer de pH 10,00, con certificado, 125 ml	LZW9470.99
Solución buffer de pH 4,0, con certificado, 250 ml	LZW9463.99
Solución buffer de pH 7,00, con certificado, 250 ml	LZW9464.97
Solución buffer de pH 10,00, con certificado, 250 ml	LZW9471.99
Solución buffer de pH 4,01, con certificado, 1000 ml	LZW9466.99
Solución buffer de pH 7,00, con certificado, 1000 ml	LZW9467.97
Solución buffer de pH 10,00, con certificado, 1000 ml	LZW9472.99
Solución electrolítica (KCl 3M), 125 ml	LZW9510.99
Solución electrolítica (KCl 3M), 250 ml	LZW9500.99
Solución electrolítica (KCl 3M), 50 ml	LZW9509.99
Solución electrolítica 0,1 M, 125 ml	LZW9901.99
Solución de enzima	2964349
Solución limpiadora de pepsina	2964349
Solución limpiadora de electrodos	2965249
Solución de HCl 0,1 N	1481253
Etanol, 95% (Aceites y grasas)	2378900

Accesorios

Descripción	Referencia
Impresora térmica, RS232, para medidor de mesa sensION+	LZW8201.99
Papel térmico para impresora LZW8201, paquete con 5 rollos	LZW9117.99
Impresora de impacto de punto, RS232, para instrumentos sensION+	LZW8200.99
Papel patrón para impresora LZW8200, paquete con 10 rollos	LZW9000.99
Cinta para impresora LZW8200, 3 unidades	LZW9001.99
SW LabCom Easy PC, para GLP sensION+, CD, cable, adaptador USB	LZW8997.99
SW LabCom PC, para GLP sensION+, CD, cable, adaptador USB	LZW8999.99
Cable RS232, para instrumentos de medidor de mesa sensION+	LZW9135.99
Cable RS232 para medidor de mesa sensION+, con adaptador USB	LZW9135USB.99
Agitador magnético con portasensor, para medidor de mesa MM sensION+	LZW9319.99
Vasos de precipitados impresos 3x50 ml para calibración de pH de medidor de mesa	LZW9110.97
Tres portasensores, para instrumentos de medidor de mesa sensION+	LZW9321.99
Soporte y abrazadera para tres sensores	LZW9155.99
Cámara de cristal Pyrex, mediciones de flujo continuo	LZW9118.99
Protector de PP, almacenamiento de electrodos	LZW9161.99

Soluciones estándar

Soluciones buffer técnicas (DIN 19267)

Consulte en la [Tabla 4](#) los valores de pH y ORP (mV) de series de soluciones buffer con variaciones de temperatura.

Tabla 4 Valores de temperatura, pH y ORP (mV)

Temperatura		pH					mV
°C	°F						
0	32	2,01	4,01	7,12	9,52	10,30	—
10	50	2,01	4,00	7,06	9,38	10,17	245
20	68	2,00	4,00	7,02	9,26	10,06	228
25	77	2,00	4,01	7,00	9,21	10,01	220
30	86	2,00	4,01	6,99	9,16	9,96	212
40	104	2,00	4,03	6,97	9,06	9,88	195
50	122	2,00	4,06	6,97	8,99	9,82	178
60	140	2,00	4,10	6,98	8,93	9,76	160
70	158	2,01	4,16	7,00	8,88	—	—
80	176	2,01	4,22	7,04	8,83	—	—
90	194	2,01	4,30	7,09	8,79	—	—

Especificações

As especificações estão sujeitas a alterações sem aviso prévio.

Especificação	Detalhes
Dimensões	35 x 20 x 11 cm (13.78 x 7.87 x 4.33 pol.)
Peso	1.100 g (2,43 lb)
Gabinete do medidor	IP42
Requisitos de alimentação (externa)	100–240 V, 0,4 A, 47-63 Hz
Classe de proteção do medidor	Classe II
Temperatura de armazenamento	-15 a +65 °C (5 a +149 °F)
Temperatura de operação	0 a 40 °C (41 a 104 °F)
Umidade de operação	< 80% (sem condensação)
Resolução	pH: 0,1/0,01/0,001; ORP: 0,1/1 mV; temperatura: 0,1 °C (0,18 °F)
Erro de medição (± 1 dígito)	pH: ≤ 0,002; ORP: ≤ 0,2 mV; temperatura: ≤ 0,2 °C (≤ 0,36 °F)
Reprodutibilidade (± 1 dígito)	pH: ± 0,001; ORP: ± 0,1 mV; temperatura: ± 0,1 °C (± 0,18 °F)
Armazenamento de dados	350 resultados e últimas 9 calibrações
Conexões	Sonda combinada ou indicadora: conector BNC (Imp. > 10 ¹² Ω); eletrodo de referência: conector banana; A.T.C. tipo Pt 1000: conector banana ou telefônico; agitador magnético: conector RCA RS232C para impressora ou computador: conector telefônico; teclado de computador externo: conector mini DIN

Especificação	Detalhes
Correção de temperatura	Manual, sonda de temperatura Pt 1000 (A.T.C.), sonda NTC 10 kΩ pH isopotencial programável, valor padrão: 7,00
Modo de medições	Medição contínua, por estabilidade e tempo
Tela	Cristal líquido, retroiluminada, 128 x 64 pontos
Teclado	PET com tratamento protetor
Certificação	CE

Informações gerais

As edições revisadas podem ser encontradas no site do fabricante.

Informações de segurança

Leia todo o manual antes de tirar da embalagem, montar ou operar esse equipamento. Preste atenção a todas as declarações de perigo e cuidado. Caso contrário, o operador poderá sofrer ferimentos graves ou o equipamento poderá ser danificado.

Certifique-se de que a proteção oferecida para este equipamento não seja afetada, não use nem instale este equipamento de nenhuma outra forma além da especificada neste manual.

Uso de informações de risco

PERIGO

Indica uma situação potencial ou iminente perigosa que, se não for evitada, resultará em morte ou lesão grave.

ADVERTÊNCIA

Indica uma situação potencialmente perigosa que, se não for evitada, pode resultar em morte ou ferimento grave.

CUIDADO

Indica uma situação potencialmente perigosa que pode resultar em ferimento leve a moderado.

AVISO

Indica uma situação que, se não evitada, pode causar danos ao instrumento. Informações que necessitam de uma ênfase especial.

Etiquetas de precaução

Leia todas as etiquetas e rótulos fixados no instrumento. Caso não sejam observadas, podem ocorrer lesões pessoais ou danos ao instrumento. Se for observado algum símbolo no instrumento, haverá uma declaração de cuidado ou perigo no manual.



Este símbolo, se observado no instrumento, diz respeito ao manual de instruções para operação e/ou informações de segurança.



Os equipamentos elétricos marcados com este símbolo não podem ser descartados em sistemas de descarte (lixo) públicos europeus após 12 de agosto de 2005. Em conformidade com as regulamentações nacionais e locais europeias (Diretiva UE 2002/98/EC), os usuários de equipamentos elétricos devem retornar seus equipamentos usados para o fabricante para descarte, sem ônus para o usuário.

Observação: Para o envio de equipamento para reciclagem, entre em contato com o fabricante ou fornecedor do equipamento para obter instruções sobre o envio de equipamento obsoleto, acessórios elétricos fornecidos pelo fabricante e todos os itens auxiliares para um descarte adequado.

Visão geral do produto

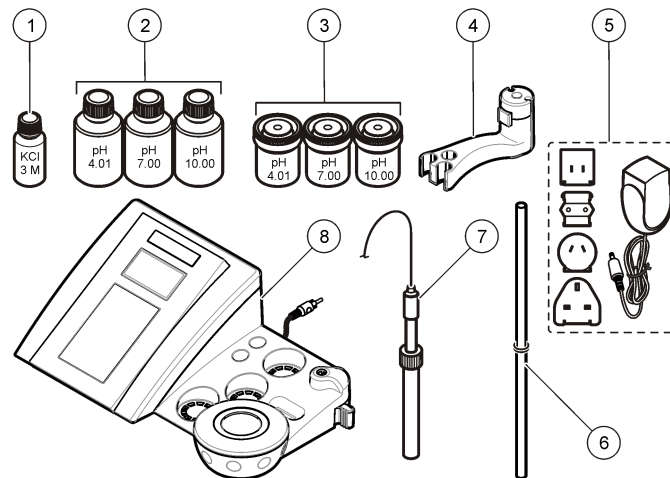
Os medidores sensION™+ são usados com sondas para medir vários parâmetros na água.

O medidor sensION™+ PH31 mede o pH, o ORP (mV) ou a temperatura. Os dados de medição podem ser armazenados e transferidos para uma impressora ou um computador.

Componentes do produto

Consulte a [Figura 1](#) para se certificar de que todos os componentes foram recebidos. Se houver itens ausentes ou danificados, entre em contato imediatamente com o fabricante ou com um representante de vendas.

Figura 1 Componentes do medidor

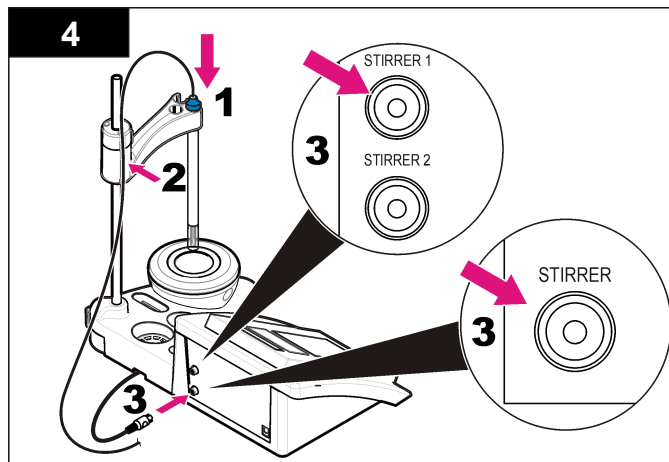
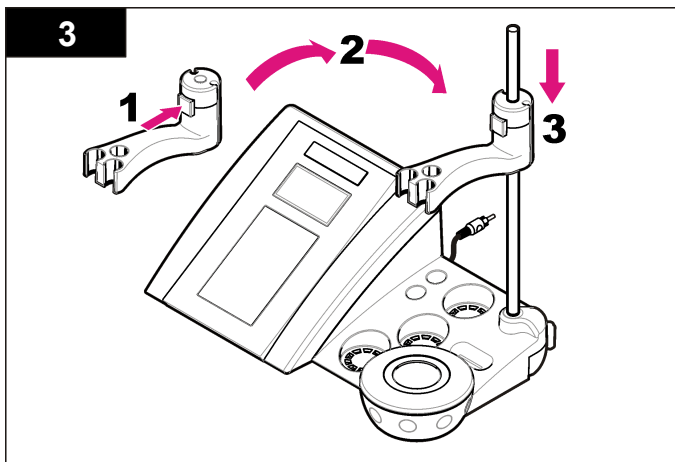
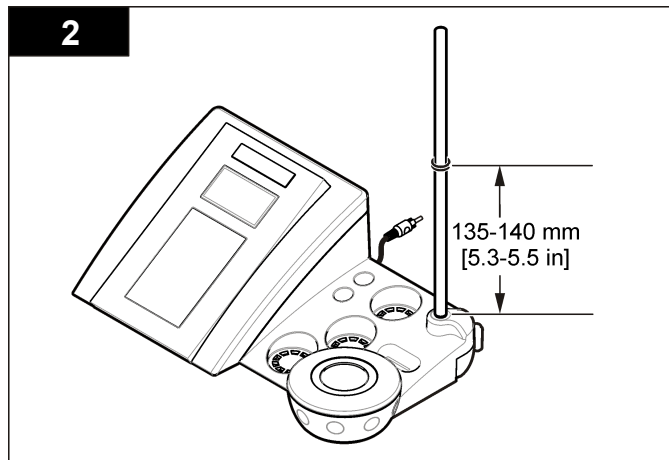
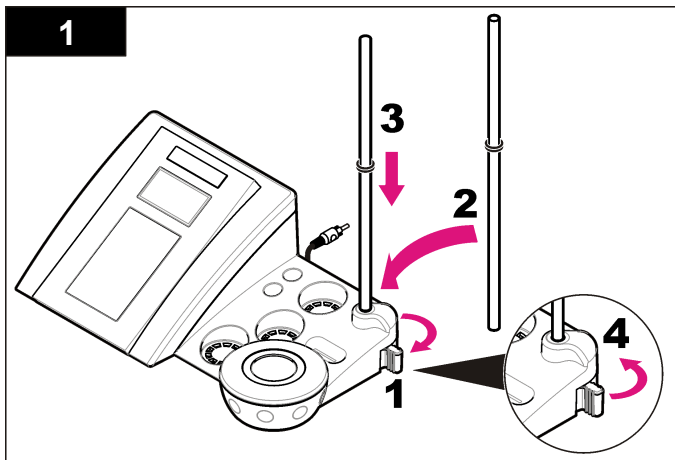


1 Eletrolito para a sonda	5 Fonte de alimentação
2 Soluções tampão (pH 4,01, pH 7,00 e pH 10,00)	6 Haste com o-rings
3 Copos de calibração (contendo barra magnética)	7 Sonda (incluída apenas nos kits)
4 Suporte da sonda	8 Medidor

Instalação


Como montar o suporte da sonda

Siga as etapas numeradas para montar o suporte da sonda e conectar o agitador magnético.



Alimentação CA

⚠ PERIGO

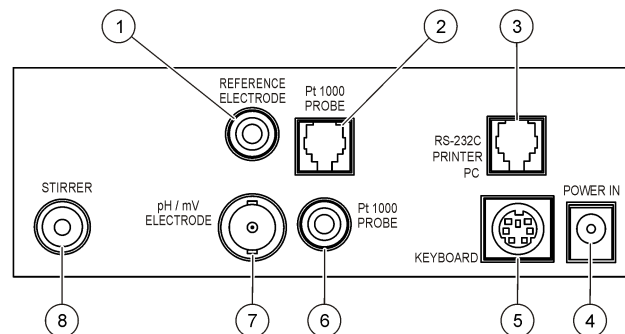


Risco de eletrocussão. Se este equipamento for usado ao ar livre ou em locais potencialmente úmidos, um dispositivo contra Falhas de Aterramento (GFCI/GFI, Ground Fault Circuit Interrupt) deve ser usado para conectar o equipamento à sua fonte principal de energia.

O medidor pode ser conectado à alimentação CA por meio do adaptador de alimentação universal.

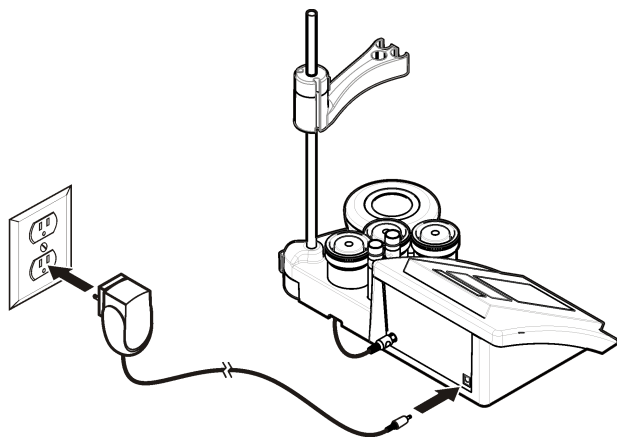
1. Selecione, no kit adaptador, o plugue adaptador correto para a tomada de parede.
2. Conecte o adaptador de alimentação universal ao medidor (Figura 2).
3. Conecte o adaptador de alimentação universal a uma tomada CA (Figura 3).
4. Ligue o medidor.

Figura 2 Painel de conectores



1 Conector do eletrodo de referência (eletrodos separados)	5 Conector mini DIN para teclado de computador
2 Conector individual da sonda de temperatura	6 Conector da sonda de temperatura
3 Conector RS-232 para impressora ou computador	7 Conector do eletrodo combinado de pH (ou indicador)
4 Fonte de alimentação	8 Conector do agitador magnético

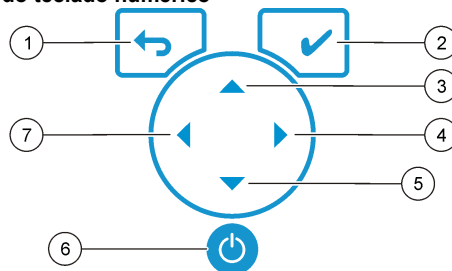
Figura 3 Conexão de alimentação CA



Interface do usuário e navegação

Interface do usuário

Descrição do teclado numérico

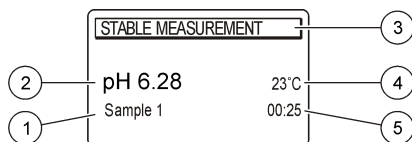


1 Tecla RETURN (RETORNAR): cancelar ou sair da tela de menu atual, retornando à tela de menu anterior	5 Tecla DOWN (PARA BAIXO): rolar para outras opções, alterar um valor
2 Tecla MEASUREMENT (MEDIÇÃO): confirmar a opção selecionada	6 LIGAR/DESLIGAR: ligar ou desligar o medidor
3 Tecla PARA CIMA: rolar para outras opções, alterar um valor	7 Tecla LEFT (PARA A ESQUERDA): alterar a unidade de medida, inserir números e letras
4 Tecla RIGHT (PARA A DIREITA): alterar a unidade de medida, inserir números e letras	

Descrição do visor

O visor do medidor mostra a concentração, as unidades, a temperatura, o estado de calibração, a ID do operador, a ID da amostra, a data e a hora.

Figura 4 Exibição em tela única



1 ID da amostra	4 Temperatura da amostra (°C ou °F)
2 Unidade e valor de medição (pH, ORP (mV))	5 Cronômetro visual da medição
3 Modo de medição ou data e hora	

Navegação

Use ← para retornar ao menu anterior. Use a tecla de medição ✓ para fazer a medição de uma amostra ou confirmar opções. Use as teclas de seta ▲ ▼ para rolar até outras opções ou alterar um valor. Para alterar os parâmetros, use as teclas de seta ◀ ▶. Para obter instruções específicas, consulte cada tarefa.

Início de operação

Ligue ou desligue o medidor

AVISO
Verifique se a sonda está conectada ao medidor antes de ligá-lo.

Pressione a tecla ⏻ para ligar ou desligar o medidor. Se o medidor não ligar, verifique se a fonte de alimentação CA está devidamente conectada a uma tomada elétrica.

Altere o idioma

O idioma da tela é selecionado quando o medidor é ligado pela primeira vez.

- Use ▲ ou ▼ para selecionar um idioma na lista.
- Confirme com ✓. A tela de medição exibe DATA OUTPUT (SAÍDA DE DADOS).

- Selecione Deactivated (Desativada) se não houver nenhuma impressora ou computador conectado e confirme. Consulte [Seleção da saída de dados](#) na página 58 para obter mais informações sobre Saída de Dados.

Operações padrões

Calibração

▲ ADVERTÊNCIA
Perigo de exposição a produtos químicos. Obedeça aos procedimentos de segurança laboratoriais e use todos os equipamentos de proteção individual adequados aos produtos químicos que estão sendo manipulados. Consulte os protocolos de segurança nas atuais planilhas de dados de segurança de materiais (MSDS).

Configurações de calibração

As configurações de calibração contêm as opções Calibration type (Tipo de calibração), Calibration frequency (Frequência de calibração) e Display (Exibição).

- No menu principal, use ▲ ou ▼ para selecionar CALIBRATION (CALIBRAÇÃO). Confirme.
- Use ▲ para acessar o menu de calibração.
- Use ▲ ou ▼ para selecionar as seguintes opções:

Opção	Descrição
Stability C. (Estabilidade C.):	Critério por estabilidade — selecione Fast (Rápida), Standard (Padrão) ou Strict (Estrita).
Calibration type (Tipo de calibração)	Tipo de calibração — selecione calibração Technical buffers (Tampões Técnicos), DIN19266 Buffers (Tampões DIN19266), User Buffers (Tampões do Usuário), To a X value (Para um valor X), data introduction (introduzir valores) ou Theoretical (Teóricas). Consulte a seção Calibration types para obter mais informações.

Opção	Descrição
Cal. frequency (Frequência de calibração)	Lembrete de calibração — pode ser ajustado de 0 a 7 dias (predefinido: diariamente). O visor mostra o tempo restante até a nova calibração. Consulte a seção Ajuste do lembrete de calibração na página 57 para obter mais informações.
Dysplay mV (Exibir mV)	Exibir mV — selecione YES (SIM) ou NO (NÃO) para a exibição de mV.
Standard 220 mV (Padrão 220 mV)	220 mV Padrão — calibrar com uma solução padrão de 220 mV
To a X value (Para um valor X)	Até o valor X — use uma solução padrão específica. Ajuste o valor durante a calibração.
Data introduction (Introduzir valores)	Compensação de entrada de dados — insira o valor de compensação
Factory adjust (Ajuste de fábrica)	Ajuste de fábrica — insira o valor de compensação

Tipos de calibração

Vários tipos de calibração podem ser selecionados.

1. No menu principal, use ▲ ou ▼ para selecionar CALIBRATION (CALIBRAÇÃO). Confirme.
2. Use ▲ para acessar o menu de calibração.
3. Use ▲ ou ▼ para selecionar Calibration type (Tipo de calibração).

Opção	Descrição
Technical buffers (Tampões técnicos)	pH 2,00, 4,01, 7,00, 9,21 e 10,90 a 25 °C (77 °F)
DIN19266 Buffers (Tampões DIN19266)	pH 1,679, 4,006, 6,865, 7,000, 9,180, 10,012 e 12,454



Opção	Descrição
User Buffers (Tampões do Usuário)	Selecionados quando não são usados tampões técnicos ou DIN19266. Consulte Soluções de buffer técnicas (DIN 19267) na página 65 para obter os valores de pH das configurações de tamponamento específicas a diferentes temperaturas.
Calibration to a X value (Calibração para um valor X)	Para ajustar manualmente qualquer valor de escala do pH medido.
Data introduction (Introduzir valores)	Entrada manual constante da sonda.
Theoretical calibration (Calibração teórica)	Os dados de calibração da sonda são substituídos a 25 °C (77 °F).

Procedimento de calibração

Este procedimento se destina ao uso geral com soluções líquidas de calibração. Para obter mais informações, consulte os documentos que acompanham cada sonda.




Observação: As soluções devem ser agitadas durante a calibração. Para obter mais informações sobre configuração da agitação, consulte [Como alterar as configurações de agitação](#) na página 59.

1. Despeje as soluções tampão ou de calibração nos copos de calibração etiquetadas.
2. No menu principal, use ▲ ou ▼ e ◀ e ▶ para selecionar o parâmetro CALIBRATION (CALIBRAÇÃO). Confirme.
3. Se solicitado, selecione o Operator ID (ID do Operador - de 1 a 10) e confirme.
4. Enxágue a sonda com água deionizada e coloque-a no primeiro copo de calibração. Certifique-se de não haver bolhas de ar na membrana.
5. Pressione ✓ para iniciar a calibração.
6. Pressione ✓ para medir a primeira solução de calibração. A solução de calibração seguinte será exibida.
7. Enxágue a sonda com água deionizada e coloque-a no terceiro copo de calibração. Certifique-se de não haver bolhas de ar na membrana.

8. Pressione  para medir a segunda solução de calibração. A solução de calibração seguinte será exibida.
9. Enxágue a sonda com água deionizada e coloque-a no primeiro copo de calibração. Certifique-se de não haver bolhas de ar na membrana.
10. Pressione  para medir a terceira solução de calibração. Quando a calibração estiver correta, o visor exibirá Calibration OK (Calibração OK) brevemente e retornará ao menu principal.
Observação: Se houver uma impressora conectada, o menu de impressão se abrirá e o resultado poderá ser impresso.

Visualização dos dados da calibração




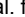

É possível exibir os dados da calibração mais recente.



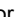


1. No menu principal, use  ou  para selecionar DATA LOGGER (REGISTRO DE DADOS). Confirme.
2. Selecione Display data (Exibir dados).
3. Selecione Calibration data (Dados da calibração) e confirme com . Os dados da última calibração são exibidos.
 - pH — os valores da inclinação e do deslocamento são mostrados alternadamente com o desvio (em %) e a temperatura de calibração.
 - ORP — são mostrados o valor medido em mV e a temperatura de calibração.
 - Conductivity (Condutividade) — são mostradas a constante da célula e a temperatura de calibração de cada padrão.

Ajuste do lembrete de calibração

O lembrete de calibração pode ser ajustado entre 0 e 23 horas ou 1 a 7 dias (predefinido: 0 dia). O visor mostra o tempo restante até a nova calibração.






Observação: Selecionar 0 dia equivale a desativar o lembrete de calibração.

1. No menu principal, use  ou  para selecionar CALIBRATION (CALIBRAÇÃO). Confirme.
2. Use  para acessar o menu de calibração.
3. Use  ou  para Cal. frequency (Frequência de calibração) e confirme.

4. Use  e  para avançar à etapa seguinte e  ou  para alterar um valor. Confirme.
Pressione  para iniciar a calibração.

Medições de amostras

Cada sonda tem etapas e procedimentos de preparação específicos para a coleta de medições de amostras.

1. No menu principal, use  ou  e  e  para selecionar MEASURE (MEDIR). Confirme.
2. Use  para alterar as configurações a seguir. Confirme cada entrada.

Opção	Descrição
Resolução	Selecione a resolução: 1, 0,1, 0,01 (predefinida) ou 0,001
Measure (Medir)	Stability (Estabilidade) — selecione By stability Criterion (Critério por estabilidade): Fast (Rápida) (variação < 0,02 pH em 6 s), Standard (Padrão) (variação < 0,01 pH em 6 s) ou Strict (Estrita) (variação < 0,002 pH em 6 s). In continuous (Continuamente) — insira o intervalo de tempo para In continuous Acquis. (Aquisição contínua) (armazenamento ou impressão de dados). By time (Por tempo) — insira o intervalo de tempo para o armazenamento ou a impressão dos dados.
Display mV (Exibir mV)	Exibir mV — selecione YES (SIM) ou NO (NÃO) para a exibição de mV.
Limits (Limites)	Limites — selecione YES (SIM) ou NO (NÃO). YES: Insira os limites superior e inferior. Uma advertência sonora é emitida quando a medição está fora dos limites. A impressão do relatório exibe um A próximo ao valor medido quando a medição ocorreu fora dos limites.
Isopotential (Isopotencial)	Isopotencial — altere o valor do pH isopotencial em Data introduction (Introduzir valores). Selecione Calculate (Calcular) para calibrar a sonda novamente.

3. Pressione  para iniciar a medição.

Observação: Se a medição não se estabilizar após 120 segundos, o medidor entrará em modo de medição contínua automaticamente.

Operações avançadas

Uso de uma ID de amostra

A etiqueta de identificação da amostra é usada para associar leituras ao local de uma amostra específica. Se especificado, os dados armazenados incluirão esta identificação.

1. No menu principal, use ▲ ou ▼ para selecionar SYSTEM (SISTEMA). Confirme.
2. Use ▲ ou ▼ para selecionar Sample ID (ID da Amostra) e confirme.
3. Use ▲ ou ▼ para selecionar:

Opção	Descrição
Automatic (Automática)	O número consecutivo será atribuído automaticamente a cada amostra.
Manual	Para que a medição possa ser feita, é necessário um teclado ou scanner de código de barras para inserir o nome de ID da amostra (máximo de 15 caracteres).

Seleção da saída de dados

Os dados podem ser armazenados ou transferidos para uma impressora ou um computador.

1. No menu principal, use ▲ ou ▼ para selecionar SYSTEM (SISTEMA). Confirme.
2. Use ▲ ou ▼ para selecionar Data Output (Saída de Dados) e confirme.
3. Use ▲ ou ▼ para selecionar

Opção	Descrição
Deactivated (Desativada)	Selecione Deactivated (Desativada) se não houver nenhuma impressora ou computador conectado.

Opção	Descrição
For Printer (Para Impressora)	Selecione impressora Dot matrix (Matricial) ou Thermal (Térmica).
For Computer (Para Computador)	Selecione Terminal, ComLabo ou ComLabo Easy. O software ComLabo controla vários módulos, os medidores de pH e condutividade, as buretas automáticas, os amostradores, e assim por diante, a partir de um computador. O software ComLabo Easy obtém dados de pH e condutividade a partir de um PC.

Altere a data e a hora

A data e a hora podem ser alteradas no menu Date / Time (Data/Hora).

1. No menu principal, use ▲ ou ▼ para selecionar SYSTEM (SISTEMA). Confirme.
2. Use ▲ ou ▼ para selecionar Date / Time (Data/Hora) e confirme.
3. Use ◀ e ▶ para avançar à etapa seguinte e ▲ ou ▼ para alterar um valor. Confirme.
A data e a hora atuais serão mostradas na tela.

Como ajustar o contraste do visor

1. No menu principal, use ▲ ou ▼ para selecionar SYSTEM (SISTEMA). Confirme.
2. Use ▲ ou ▼ para selecionar Display contrast (Contraste do visor) e confirme.
3. Use ◀ e ▶ para ajustar o contraste do visor e confirme.

Como ajustar a temperatura

A medição da temperatura pode ser ajustada para 25 °C (77 °F) e/ou 85 °C (185 °F) para aumentar a precisão.

1. Coloque a sonda e um termômetro de referência em um recipiente com água a aproximadamente 25 °C e aguarde até a temperatura se estabilizar.

2. Compare a temperatura lida no medidor com a do termômetro de referência. A diferença é o valor de ajuste do medidor.
Exemplo: termômetro de referência: 24,5 °C; medidor: 24,3 °C. Valor de ajuste: 0,2 °C.
3. Insira o valor de ajuste da leitura a 25 °C:
 - a. No menu principal, use ▲ ou ▼ para selecionar SYSTEM (SISTEMA). Confirme.
 - b. Use ▲ ou ▼ para selecionar Readjust temp (Reajustar temperatura) e confirme.
 - c. Use ▲ ou ▼ para selecionar 25 °C e confirme.
 - d. Use as teclas de seta para inserir o valor de ajuste para 25 °C. Confirme.
4. Coloque a sonda e um termômetro de referência em um recipiente com água a aproximadamente 85 °C e aguarde até a temperatura se estabilizar.
5. Compare a temperatura lida no medidor com a do termômetro de referência. A diferença é o valor de ajuste do medidor.
 - a. Use ▲ ou ▼ para selecionar 85 °C e confirme.
 - b. Use as teclas de seta para inserir o valor de ajuste para 85 °C. Confirme.
 - c. Selecione Save changes (Salvar alterações) e confirme.

Como alterar as configurações de agitação

O agitador magnético pode ser ligado e a velocidade de mistura pode ser alterada no menu Stirring (Agitação).

1. No menu principal, use ▲ ou ▼ para selecionar SYSTEM (SISTEMA). Confirme.
2. Use ▲ ou ▼ para selecionar Stirring (Mistura) e confirme.
3. Para ligar/desligar o misturador, pressione ✓.
4. Quando o misturador estiver ligado, use ▲ ou ▼ para alterar a velocidade de mistura, em %.

Observação: Use ▲ ou ▼ para alterar a velocidade de mistura durante a calibração ou uma medição.

Como alterar as unidades de temperatura

As unidades de temperatura podem ser alteradas para Celsius ou Fahrenheit.

1. No menu principal, use ▲ ou ▼ para selecionar SYSTEM (SISTEMA). Confirme.
2. Use ▲ ou ▼ para selecionar Temperature units (Unidades de temperatura) e confirme.
3. Use ▲ ou ▼ para escolher entre Celsius ou Fahrenheit e confirme.

Registro de dados

Exibir dados

O registro Display data (Exibição de dados) contém dados de medição (Measurement data), relatórios de eletrodos (Electrode report) e dados de calibração (Calibration data). Os dados armazenados podem ser enviados para uma impressora ou um computador. Quando o registro de dados se encher (400 pontos de dados), o ponto de dados mais antigo será excluído quando um novo ponto de dados for adicionado.

1. No menu principal, use ▲ ou ▼ para selecionar SYSTEM (SISTEMA). Confirme.
2. Use ▲ ou ▼ para selecionar DATA LOGGER (REGISTRO DE DADOS) e confirme.
3. Use ▲ ou ▼ para selecionar Display data (Exibir dados) e confirme.
4. Use ▲ ou ▼ para selecionar

Opção	Descrição
Measurement data (Dados de medição)	Dados de medição — armazena toda amostra medida, automaticamente
Electrode report (Relatório de eletrodos)	Relatório de eletrodos — armazena automaticamente o histórico do eletrodo e as condições de medição
Calibration data (Dados de calibração)	Dados de calibração — armazena a calibração atual, automaticamente

Como excluir dados

Todo o registro de relatórios de dados de medição ou eletrodos podem ser excluídos, a fim de eliminar dados já transmitidos a um computador ou impressora.

1. No menu principal, use ▲ ou ▼ para selecionar SYSTEM (SISTEMA). Confirme.
2. Use ▲ ou ▼ para selecionar DATA LOGGER (REGISTRO DE DADOS) e confirme.
3. Use ▲ ou ▼ para selecionar Erase (Apagar) e confirme.
4. Use ▲ ou ▼ para selecionar relatório de Measurement data (Dados de medição) ou Electrode (Eletrodos) e confirme. Confirme novamente para excluir os dados.
O registro inteiro é excluído de uma só vez.

Envio de dados para uma impressora ou um computador

AVISO

Primeiro, é necessário selecionar a saída de dados (impressora ou computador), para que o menu Print (Imprimir) fique acessível (consulte [Seleção da saída de dados](#) na página 58).

Observação: Consulte [Impressão de relatórios](#) na página 60 para selecionar o tipo de impressão de relatório.

1. No menu principal, use ▲ ou ▼ para selecionar SYSTEM (SISTEMA). Confirme.
2. Use ▲ ou ▼ para selecionar DATA LOGGER (REGISTRO DE DADOS) e confirme.
3. Use ▲ ou ▼ para selecionar Print (Impressora) e confirme. Selecione uma das opções a seguir e confirme com ✓ para imprimir os dados: Measurement data (Dados de medição), Electrode data (Dados dos eletrodos), Calibration data (Dados da calibração), Calibration report (Relatório de calibração) ou Instrumento condit (Condição do instrumento).

Impressão de relatórios

AVISO

Primeiro, é necessário selecionar a saída de dados (impressora ou computador), para que o menu Type of report (Tipo de relatório) fique acessível (consulte [Seleção da saída de dados](#) na página 58).

Diversos tipos de impressão de relatórios podem ser selecionados quando há uma impressora ou computador conectado.

1. No menu principal, use ▲ ou ▼ para selecionar SYSTEM (SISTEMA). Confirme.
2. Use ▲ ou ▼ para selecionar Type of report (Tipo de relatório) e confirme.
3. Quando houver uma impressora ou computador e o Terminal estiver conectado, use ▲ ou ▼ para selecionar

Opção	Descrição
Reduced (Resumido)	Selecione Several (Várias) ou One sample (Uma amostra) como formato de saída
Padrão	Selecione Several (Várias) ou One sample (Uma amostra) como formato de saída. Selecione Several (Várias): Users: O nome do usuário aparece no relatório impresso (17 caracteres). Header (Cabeçalho): O nome da empresa pode ser adicionada como um cabeçalho (40 caracteres), aparecendo no relatório impresso. Identify sensor (Identificação do sensor): O modelo e o número de série do sensor podem ser adicionados, aparecendo no relatório impresso.
GLP	Selecione Several (Várias) ou One sample (Uma amostra) como formato de saída. Selecione Several (Várias): Users: O nome do usuário aparece no relatório impresso (17 caracteres). Header (Cabeçalho): O nome da empresa pode ser adicionada como um cabeçalho (40 caracteres) e aparece no relatório impresso. Identify sensor (Identificação do sensor): O modelo e o número de série do sensor podem ser adicionados e aparecem no relatório impresso.

4. Quando houver um computador conectado e o ComLabo Easy (consulte para mais informações) estiver selecionado, use ▲ ou ▼ para selecionar

Opção	Descrição
Users (Usuários)	O nome do usuário aparece no relatório impresso (17 caracteres).
Identify sensor (Identificação do sensor)	O modelo e o número de série do sensor podem ser adicionados, aparecendo no relatório impresso.

Manutenção

⚠ ADVERTÊNCIA

Vários perigos. Não desmonte o instrumento para manutenção. Caso seja necessário limpar ou reparar componentes internos, entre em contato com o fabricante.

⚠ CUIDADO

Risco de lesão corporal. Somente pessoal qualificado deve realizar as tarefas descritas nesta seção do manual.

Como limpar o instrumento

AVISO

Nunca use agentes de limpeza tais como terebintina, acetona ou produtos semelhantes para limpar o instrumento, inclusive o monitor e os acessórios.

Limpe o exterior do instrumento com um pano úmido e uma solução de sabão neutro.

Limpeza da sonda

Limpe a sonda conforme a necessidade. Consulte [Resolução de problemas](#) na página 63 para obter mais informações sobre limpeza. Consulte a documentação da sonda para obter informações sobre sua manutenção.

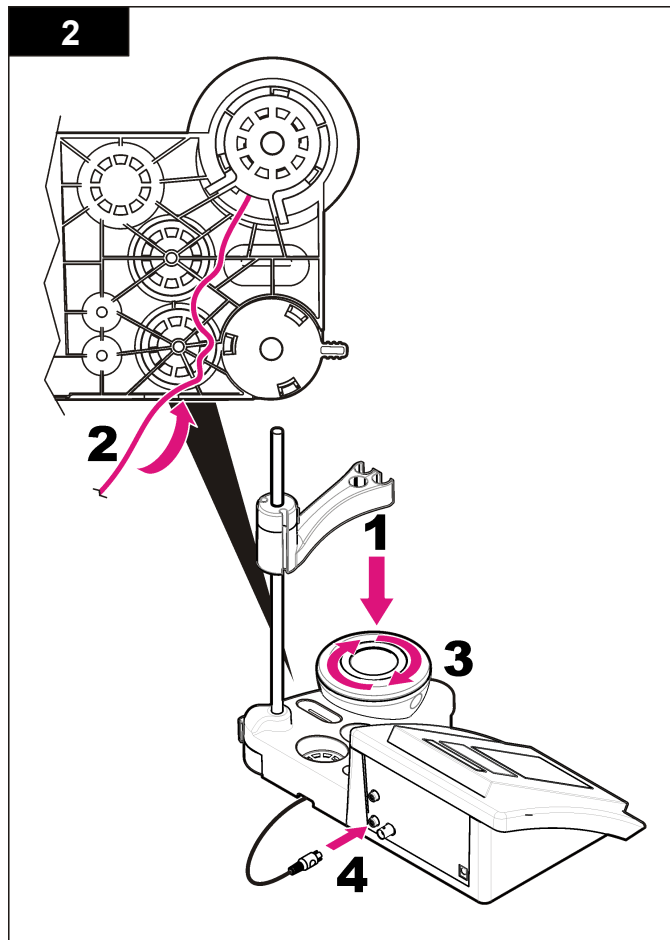
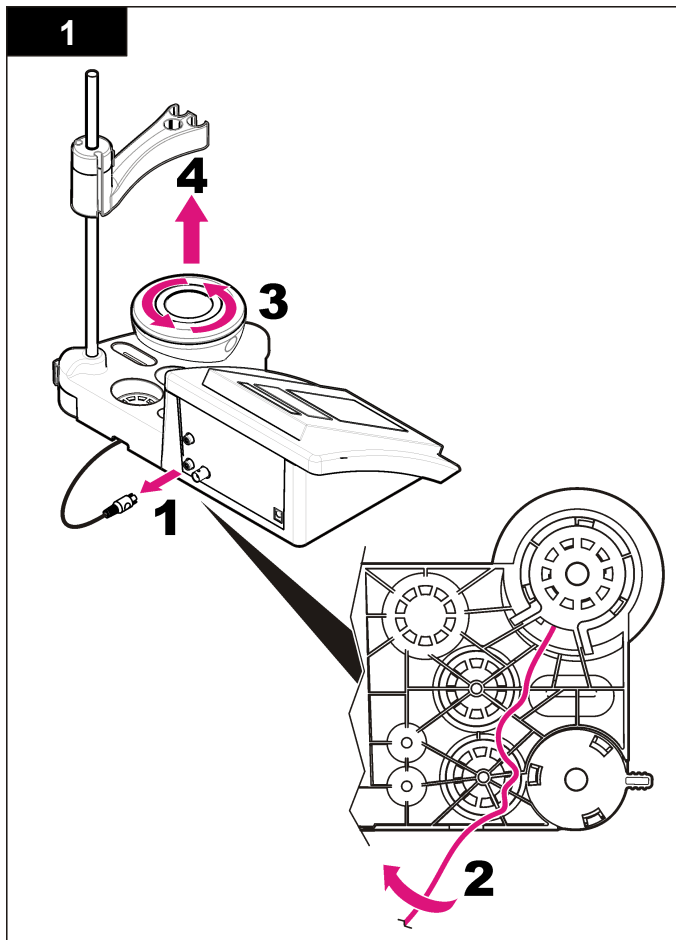
Use os agentes de limpeza relacionados na [Tabela 1](#) contra contaminações na sonda de pH.

Tabela 1 Agentes de limpeza para a sonda de pH

Contaminação	Agente de limpeza
Proteínas	Solução de limpeza de pepsinas
Graxa, óleos, gorduras	Solução de limpeza de eletrodos
Depósitos calcários	Solução de HCl a 0,1 N

Substituição do agitador magnético

Se o agitador magnético não se iniciar, siga as etapas numeradas para substituí-lo.



Resolução de problemas

Consulte a tabela a seguir com relação a sintomas e mensagens de problemas comuns, possíveis causas e ações corretivas.

Tabela 2 Advertências e erros de calibração

Erro/Advertência	Solução
Asymmetry > 58 mV (Assimetria > 58 mV)	Inclinação fora da faixa (valores aceitáveis ± 58 mV). Calibre novamente. Conecte uma nova sonda.
Buffer or electrode in poor conditions. (Tampão ou eletrodo em más condições.)	Calibre novamente. Examine a sonda: limpe-a (consulte Limpeza da sonda na página 61 para obter mais informações); certifique-se de não haver bolhas de ar na membrana.
Sens. (a) < 70%	Agite a sonda como se faz com um termômetro; conecte uma sonda diferente para verificar se o problema é com a sonda ou o medidor.
BUFFER NOT RECOGNIZED (TAMPÃO NÃO RECONHECIDO)	Examine a solução tampão: certifique-se de que o tampão usado corresponda ao especificado na configuração; verifique a especificação de temperatura na configuração; use uma nova solução tampão.
UNSTABLE READING (LEITURA INSTÁVEL) Time t > 100 s (Tempo t > 100 s)	Calibre novamente. Examine a sonda: limpe-a (consulte Limpeza da sonda na página 61 para obter mais informações); certifique-se de não haver bolhas de ar na membrana. Agite a sonda como se faz com um termômetro; conecte uma sonda diferente para verificar se o problema é com a sonda ou o medidor. Verifique se a membrana e o diafragma estão corretamente imersos na amostra.

Tabela 2 Advertências e erros de calibração (continuação)

Erro/Advertência	Solução
Electrode in poor conditions. (Eletrodo em más condições.)	Examine a sonda: limpe-a (consulte Limpeza da sonda na página 61 para obter mais informações); certifique-se de não haver bolhas de ar na membrana. Agite a sonda como se faz com um termômetro; conecte uma sonda diferente para verificar se o problema é com a sonda ou o medidor.
Verifique o eletrodo	
SAME BUFFERS (MESMOS TAMPÕES)	Calibre novamente. Examine a sonda: limpe-a (consulte Limpeza da sonda na página 61 para obter mais informações); certifique-se de não haver bolhas de ar na membrana. Agite a sonda como se faz com um termômetro; conecte uma sonda diferente para verificar se o problema é com a sonda ou o medidor. Examine a solução tampão. Use uma nova solução tampão.

Tabela 3 Advertências e erros de medição

Erro/Advertência	Solução
pH 12,78 19°C	Calibre novamente
pH fora do intervalo	Examine a sonda: limpe-a (consulte Limpeza da sonda na página 61 para obter mais informações); certifique-se de não haver bolhas de ar na membrana. Agite a sonda como se faz com um termômetro; conecte uma sonda diferente para verificar se o problema é com a sonda ou o medidor.
Temp out of range °C (Temperatura fora do intervalo °C)	Examine o sensor de temperatura. Conecte uma sonda diferente para verificar se o problema está na sonda ou no medidor.

Tabela 3 Advertências e erros de medição (continuação)

Erro/Advertência	Solução
Time > 60 s (Tempo > 60 s)	Verifique se a membrana e o diafragma estão corretamente imersos na amostra.
Time > 150 s (Tempo > 150 s)	Examine a temperatura.
Time > 300 s (Tempo > 300 s)	Examine a sonda: limpe-a (consulte Limpeza da sonda na página 61 para obter mais informações); certifique-se de não haver bolhas de ar na membrana. Agite a sonda como se faz com um termômetro; conecte uma sonda diferente para verificar se o problema é com a sonda ou o medidor.

Peças e acessórios de reposição

Observação: Os códigos dos produtos podem variar para algumas regiões. Entre em contato com o distribuidor apropriado ou consulte o website da empresa para obter informações de contato.

Peças de reposição

Descrição	Nº de item
Medidor de pH de bancada sensION+ PH3 com acessórios, sem sonda	LPV2000.97.0002
Medidor de pH de bancada sensION+ PH31, GLP, com acessórios, sem sonda	LPV2100.97.0002
Medidor de pH e íons laboratorial sensION+ MM340, GLP, 2 canais, com acessórios, sem sonda	LPV2200.97.0002
Medidor de condutividade laboratorial sensION+ EC7, com acessórios, sem sonda	LPV3010.97.0002
Medidor de condutividade laboratorial sensION+ EC71, GLP, com acessórios, sem sonda	LPV3110.97.0002
Medidor laboratorial sensION+ MM374, 2 canais, GLP, acessórios, sem sondas	LPV4110.97.0002

Consumíveis

Descrição	Nº de item
Solução tampão de pH 4,01, com certificado, 125 ml	LZW9460.99
Solução tampão de pH 7,00, com certificado, 125 ml	LZW9461.97
Solução tampão de pH 10,00, com certificado, 125 ml	LZW9470.99
Solução tampão de pH 4,01, com certificado, 250 ml	LZW9463.99
Solução tampão de pH 7,00, com certificado, 250 ml	LZW9464.97
Solução tampão de pH 10,00, com certificado, 250 ml	LZW9471.99
Solução tampão de pH 4,01, com certificado, 1.000 ml	LZW9466.99
Solução tampão de pH 7,00, com certificado, 1.000 ml	LZW9467.97
Solução tampão de pH 10,00, com certificado, 1.000 ml	LZW9472.99
Solução eletrolítica (KCl 3 M), 125 ml	LZW9510.99
Solução eletrolítica (KCl 3 M), 250 ml	LZW9500.99
Solução eletrolítica (KCl 3 M), 50 ml	LZW9509.99
Solução eletrolítica (0,1 M), 125 ml	LZW9901.99
Solução enzimática	2964349
Solução de limpeza de pepsinas	2964349
Solução de limpeza de eletrodos	2965249
Solução de HCl a 0,1 N	1481253
Etanol, 95% (graxa, óleos, gorduras)	2378900

Acessórios

Descrição	Nº de item
Impressora térmica, RS232, para bancada sensION+	LZW8201.99
Papel térmico para impressora LZW8201, saco com 5 rolos	LZW9117.99

Peças e acessórios de reposição (continuação)

Descrição	Nº de item
Impressora de impacto de pontos, RS232, para instrumentos sensION+	LZW8200.99
Papel convencional para impressora LZW8200, saco com 10 rolos	LZW9000.99
Fita para impressora LZW8200, 3 unidades	LZW9001.99
Software LabCom Easy PC, para sensION+ GLP, CD, cabo, adaptador USB	LZW8997.99
Software LabCom PC, para sensION+ GLP, CD, cabo, adaptador USB	LZW8999.99
Cabo RS232, para instrumentos de bancada sensION+	LZW9135.99
Cabo RS232 para bancada sensION+, com adaptador USB	LZW9135USB.99
Agitador magnético com suporte de sensor, para bancada sensION+ MM	LZW9319.99
Copos 3 x 50 ml identificados por impressão para calibração de pH da bancada	LZW9110.97
Suporte para três sensores, para instrumentos de bancada sensION+	LZW9321.99
Suporte e braçadeira para os três sensores	LZW9155.99
Câmara em vidro pirex, medições de fluxo contínuas	LZW9118.99
Protetor PP, armazenamento de eletrodos	LZW9161.99

Soluções padrão

Soluções de buffer técnicas (DIN 19267)

Consulte os valores de [Tabela 4](#) pH e ORP (mV) de conjuntos de buffer específicos a temperaturas variáveis.

Tabela 4 valores de pH, ORP (mV) e temperatura

Temperatura		pH					mV
°C	°F						
0	32	2.01	4.01	7.12	9.52	10.30	—
10	50	2.01	4.00	7.06	9.38	10.17	245
20	68	2,00	4.00	7.02	9.26	10.06	228
25	77	2.00	4.01	7.00	9.21	10.01	220
30	86	2,00	4.01	6.99	9.16	9.96	212
40	104	2,00	4.03	6.97	9.06	9.88	195
50	122	2,00	4.06	6.97	8.99	9.82	178
60	140	2,00	4,10	6.98	8.93	9.76	160
70	158	2.01	4.16	7.00	8.88	—	—
80	176	2.01	4.22	7.04	8.83	—	—
90	194	2.01	4.30	7.09	8.79	—	—

规格

产品规格如有变化，恕不另行通知。

规格	详细说明
尺寸	35 x 20 x 11 厘米 (13.78 x 7.87 x 4.33 英寸)
重量	1100 克 (2.43 磅)
仪表外壳	IP42
电源要求 (外部)	100–240 V, 0.4 A, 47–63 Hz
仪表保护等级	II 级
存储温度	–15 至 +65 °C (5 至 +149 °F)
操作温度	0 至 40 °C (41 至 104 °F)
操作湿度	< 80% (无冷凝)
分辨率	pH: 0.1/0.01/0.001, ORP: 0.1/1 mV, 温度: 0.1 °C (0.18 °F)
测量误差 (± 1 位)	pH: ≤ 0.002, ORP: ≤ 0.2 mV, 温度: ≤ 0.2 °C (≤ 0.36 °F)
可再现性 (± 1 位)	pH: ± 0.001, ORP: ± 0.1 mV, 温度: ± 0.1 °C (± 0.18 °F)
数据存储	330 个结果和最近 9 次校准
连接	组合式或指示探头: BNC 接头 (阻抗 >10 ¹² Ω); 参比电极: 蕉型接头; A.T.C. 型 Pt 1000; 蕉型或电话接头; 电磁搅拌器: RCA 接头 用于打印机或 PC 的 RS232C; 电话接头; 外置 PC 键盘: 迷你 DIN 接头
温度校正	手动, Pt 1000 温度探头 (A.T.C.), NTC 10 kΩ 探头 等电位 pH 可编程, 标准值 7.00
测量显示屏锁	连续测量, 按稳定性和按时间
显示屏	液晶, 背光, 128 x 64 点
键盘	PET, 经防护处理
认证	CE

基本信息

修订版可在制造商的网站上找到。

安全信息

请在拆开本设备包装、安装或使用本设备前，完整阅读本手册。特别要注意所有的危险警告和注意事项。否则，可能会对操作者造成严重的人身伤害，或者对设备造成损坏。

要确保本设备所提供的防护措施不受破坏，请不要使用本手册规定之外的方法来安装或者使用本设备。

危险信息使用

⚠ 危险

表示潜在的或紧急的危险情况，如果不加以避免，将会导致死亡或严重伤害。

⚠ 警告

表示潜在或非常危险的情形，如不避免，可能导致严重的人身伤亡。

⚠ 警告



表示潜在的危险情形，可能导致一定程度的人身伤害。

注意

表明如不加以避免则会导致仪器损坏的情况。需要特别强调的信息。

警告标签

请阅读贴在仪器上的所有标签和标记。如未遵照这些安全标签的指示操作，则可能造成人身伤害或仪器损坏。仪器上如有标志，则手册中会提供危险或小心说明。

	<p>本符号如果出现在仪器中，则表示参考说明手册中的操作和/或安全信息。</p>
	<p>使用此符号标记的电气设备在 2005 年 8 月 12 日后，不能通过欧洲公共垃圾系统进行处理。为遵守欧洲地区和国家法规（欧盟指令 2002/98/EC），欧洲电气设备使用者现在必须将废弃或到期的设备送还制造商进行处理，使用者不必支付任何费用。</p> <p>注：如果退回产品是为了进行再循环，请联系设备生产商或供应商，索取如何退回使用寿命到期的设备、生产商提供的电源附件以及所有辅助部件的说明，以便进行适当处理。</p>

产品概述

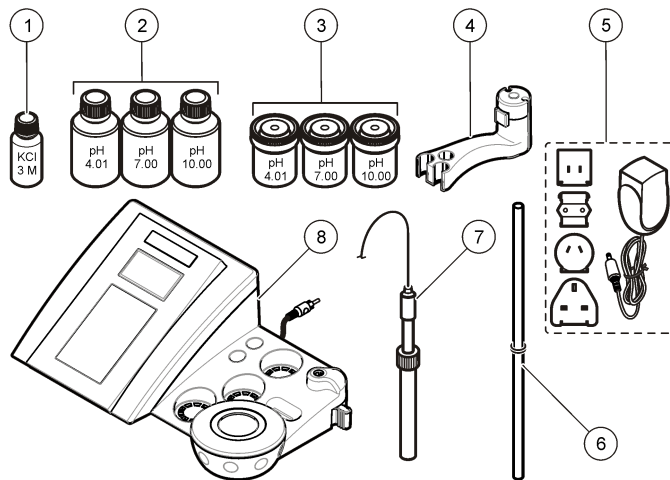
sensiON™+ 仪表与探头配套使用，可测量水的各种参数。

sensiON™+ PH31 仪表可测量 pH、ORP (mV) 或温度。测量数据可以存储并传输到打印机或 PC。

产品组件

请参考图 1，确保已收到所有组件。如有任何物品丢失或损坏，请立即联系制造商或销售代表。

图 1 仪表组件

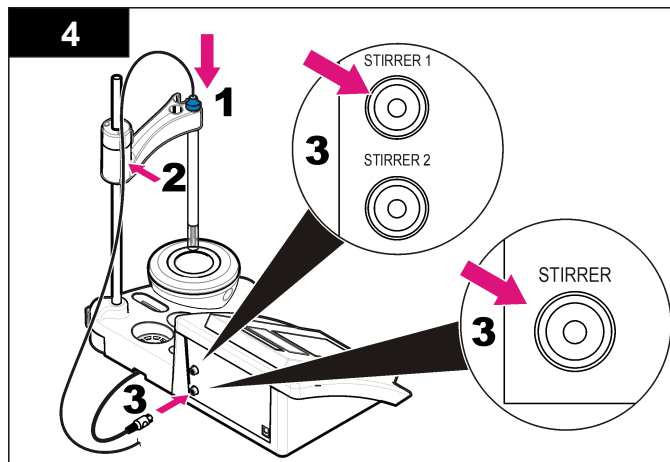
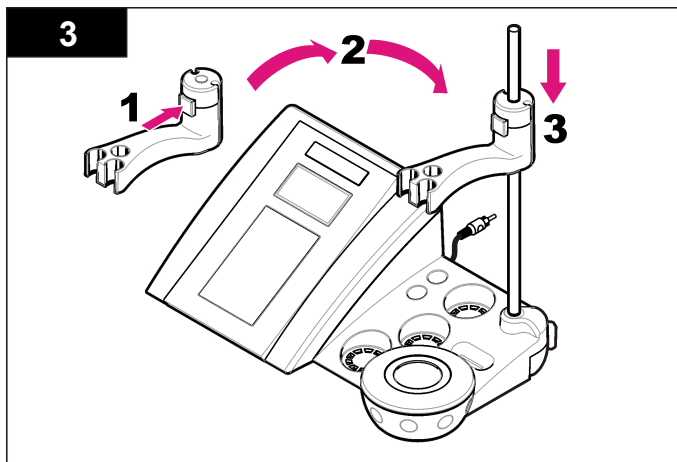
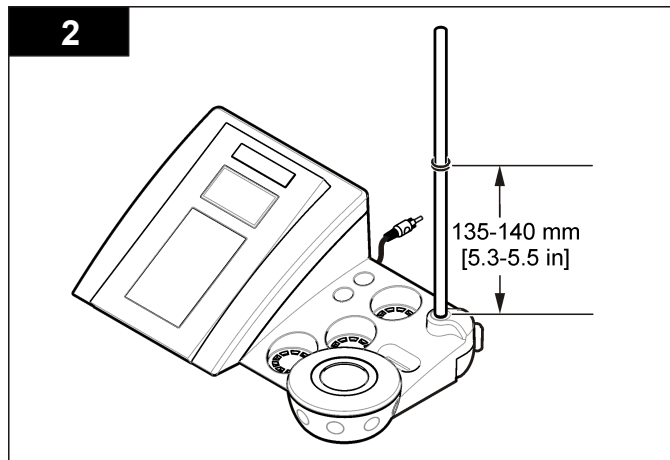
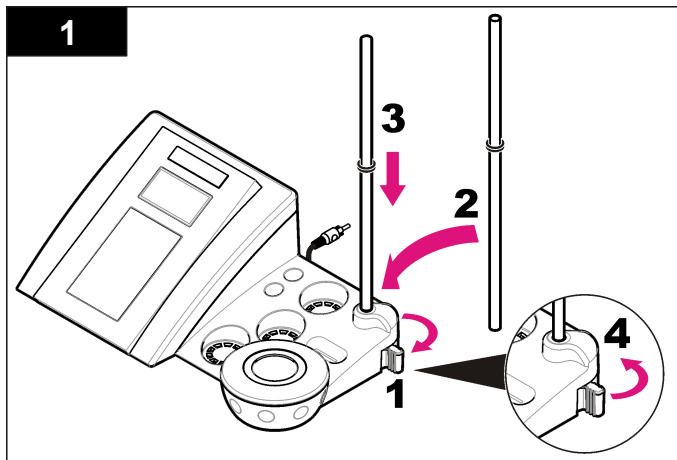


1 适用于探头的电解液	5 电源
2 缓冲溶液 (pH 4.01、pH 7.00 和 pH 10.00)	6 带有 o 形环的直棒
3 校准烧杯 (内置磁棒)	7 探头 (仅包含在套件中)
4 探头座	8 仪表

安装

装配探头座

按照编号步骤装配探头座并连接到电磁搅拌器。



连接到交流电源

⚠ 危险

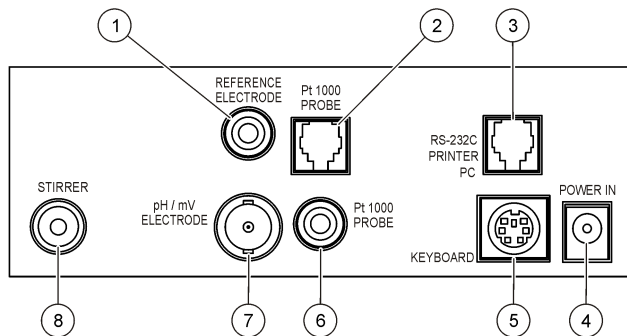


存在电击危险。如果此设备在户外或在可能潮湿的场所使用，则必须使用接地故障电路中断器 (GFCI/GFI) 将此设备连接到其主电源。

仪表可以通过带有通用电源适配器套件进行交流电源供电。

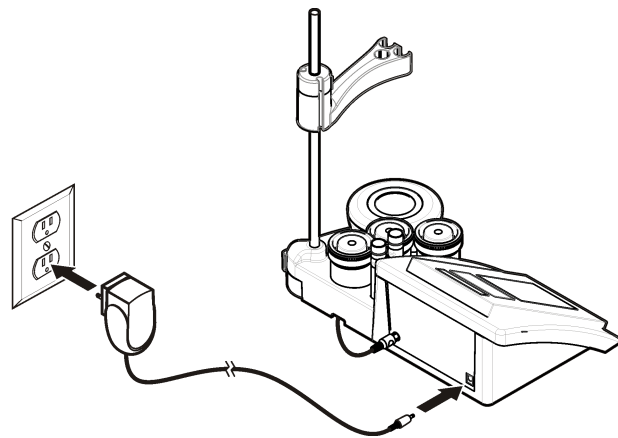
1. 从适配器套件为电源插座选择正确的适配器插头。
2. 将通用电源适配器连接到仪表（图 2）。
3. 将通用电源适配器连接到交流电源插座（图 3）。
4. 打开仪表。

图 2 接头面板



1 参比电极（分离式电极）接头	5 PC 键盘，迷你 DIN 接头
2 分离式温度探头接头	6 温度探头接头
3 适用于打印机或 PC 的 RS-232 接头	7 组合式 pH 电极（或指示电极）接头
4 电源	8 电磁搅拌器接头

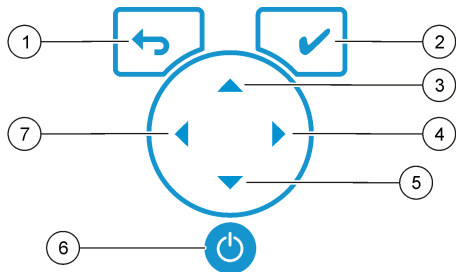
图 3 交流电源连接



用户界面及导航

用户界面

键盘说明

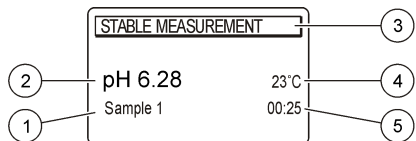


1 RETURN(返回) 键: 取消或退出当前菜单屏幕并进入上一个菜单屏幕	5 向下键: 滚动至其他选项, 更改某值
2 MEASUREMENT(测量) 键: 确认所选的选项	6 ON/OFF(开/关): 打开或关闭仪表
3 向上键: 滚动至其他选项, 更改某值	7 向左键: 更改测量单位, 输入数字和字母
4 向右键: 更改测量单位, 输入数字和字母	

显示屏说明

仪表显示屏显示浓度、单位、温度、校准状态、操作员 ID、试样 ID、日期和时间。

图 4 单屏幕显示



1 试样 ID	4 试样温度 (°C 或 °F)
2 测量单位和值 (pH、ORP (mV))	5 可视测量计时器
3 测量模式或时间和日期	

导航

使用 返回上一级菜单。使用测量键 进行试样测量或确认选项。使用箭头键 滚动至其他选项或更改值。要更改参数, 请使用箭头键 和 。有关特定说明, 请参考每个任务。

启动

开启和关闭仪表。

注意

在开启仪表之前, 确保探头已与仪表相连。

按 以开启或关闭仪表。如果仪表未开启, 请确保交流电源已正确连接至电源插座。

更改语言

当仪表首次上电时, 选择显示语言。

1. 使用 或 从列表中选择语言。
2. 使用 进行确认。测量屏幕显示 DATA OUTPUT(数据输出)。
3. 如果没有连接打印机或 PC, 则选择 Deactivated(已停用) 并确认。有关数据输出的详细信息, 请参考 [选择数据输出](#) 第 72。

标准操作

校准

警告

化学品暴露风险。遵守实验室安全过程，穿戴适用于所处理化学品的所有个人防护装备。有关安全协议，请参考当前材料安全数据表 (MSDS)。

校准设置

校准设置包含校准类型、校准频率和显示选项。

1. 从主菜单，使用 ▲ 或 ▼ 选择 CALIBRATION(校准)。确认。
2. 使用 ▲ 进入校准菜单。
3. 使用 ▲ 或 ▼ 选择以下选项：

选项	说明
Stability C.:	稳定性标准 — 选择 Fast(快速)、Standard(标准)或 Strict(严格)。
Calibration type	校准类型 — 选择 Technical buffers(技术缓冲)、DIN19266 Buffers (DIN19266 缓冲)、User Buffers(用户缓冲)、To a X value(至 X 值)、data introduction(数据导入)或 Theoretical calibration(理论校准)。有关详细信息，请参考 Calibration types 。
Cal. frequency	校准提醒 — 可以介于 0–7 天之间(默认为每天)。此屏幕显示距离新校准的剩余时间。有关详细信息，请参考 设置校准提醒 第 72。
Display mV	显示 mV — 选择是否显示 mV, YES(是)或 NO(否)。
Standard 220 mV	标准 220 mV — 使用 220 mV 标准溶液进行校准
To a X value	至 X 值 — 使用特殊标准溶液。在校准过程中调整值。
Data introduction	数据导入补偿 — 输入补偿值
Factory adjust	工厂调整 — 输入补偿值

校准类型

有多个校准类型可选。

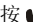

1. 从主菜单，使用 ▲ 或 ▼ 选择 CALIBRATION(校准)。确认。
2. 使用 ▲ 进入校准菜单。
3. 使用 ▲ 或 ▼ 选择校准类型。

选项	说明
Technical buffers	pH 2.00、4.01、7.00、9.21 和 10.90，在 25 °C (77 °F) 下
DIN19266 Buffers	pH 1.679、4.006、6.865、7.000、9.180、10.012 和 12.454
User Buffers	当使用技术或 DIN19266 缓冲溶液时，选择此项。有关不同温度下特定缓冲溶液组的 pH 值，请参考 工业用缓冲溶液 (DIN 19267) 第 78。
Calibration to a X value	手动调整所测量 pH 的任何标度值。
Data introduction	手动导入探头常数。
Theoretical calibration	在 25 °C (77 °F) 时替换探头校准数据。

校准过程

此过程对液体校准溶液是通用的。有关详细信息，请参考每个探头随附的文档。

注：应在校准过程中搅拌溶液。有关搅拌设置的详细信息，请参考 [更改搅拌设置](#) 第 73。

1. 将缓冲溶液或校准溶液倒入贴有标签的校准烧杯中。
2. 从主菜单，使用 ▲ 或 ▼ 及 ◀ 和 ▶ 选择校准参数。确认。
3. 如果需要，选择操作员 ID(1 至 10) 并确认。
4. 使用已去离子的水清洗探头，然后将探头放在第一个校准烧杯中。确保膜中没有气泡。
5. 按  开始校准。
6. 按  测量第一份校准溶液。此时将显示下一份校准溶液。
7. 使用已去离子的水清洗探头，然后将探头放在第二个校准烧杯中。确保膜中没有气泡。

- 按 测量第二份校准溶液。
此时将显示下一份校准溶液。
- 使用已去离子的水清洗探头，然后将探头放在第三个校准烧杯中。确保膜中没有气泡。
- 按 测量第三份校准溶液。
在校准情况良好时，显示屏将短暂显示 Calibration OK(校准正常)，然后返回主菜单。
注： 如果连接了打印机，则会打开打印菜单，可以打印结果。

查看校准数据

大多数最近校准中的数据都能显示。

- 从主菜单，使用 或 选择 DATA LOGGER(数据记录器)。确认。
- 选择 Display data(显示数据)。
- 选择 Calibration data(校准数据) 并使用 进行确认。此时将显示最近的校准数据：
 - pH - 斜率和偏移值与偏差（以百分比表示）和校准温度交替显示。
 - ORP - 显示测量的 mV 值和校准温度。
 - 电导率 - 显示每个标准溶液的电池常数和校准温度。

设置校准提醒

校准提醒可以设置在 0 至 23 小时或 1 至 7 天之间（默认为 0 天）。此屏幕显示距离新校准的剩余时间。

注： 当选择 0 天时，关闭校准提醒。

- 从主菜单，使用 或 选择 CALIBRATION(校准)。确认。
- 使用 进入校准菜单。
- 使用 或 选择 Cal. frequency(校准频率) 并确认。
- 使用 和 前进到下一步，然后使用 或 更改值。确认。
按 开始校准。

试样测量

每个探头都有适用于进行试样测量的特定准备步骤和流程。

- 从主菜单，使用 或 及 和 选择 MEASURE(测量)。确认。

- 使用 更改以下设置。确认每次输入。

选项	说明
Resolution	选择分辨率：1、0.1、0.01(默认值) 或 0.001
Measure	Stability(稳定性) — 选择“按稳定性标准”：快速（6 秒内的变化 < 0.02 pH）、标准（6 秒内的变化 < 0.01 pH）或严格（6 秒内的变化 < 0.002 pH）。In continuous(连续) — 输入“连续获取”的时间间隔（数据存储或打印数据）。By time(按时间) — 输入数据存储或打印数据的时间间隔。
Display mV	显示 mV — 选择是否显示 mV，YES(是) 或 NO(否)。
Limits	限值 — 选择 YES(是) 或 NO(否)。YES(是)：输入上限和下限。当测量值超出限值时，发出警告音。当测量值超出限值时，报告输出中的测量值旁边会显示一个 A。
Isopotential	等电位 — 更改数据导入中的等电位 pH 值。选择 Calculate(计算) 再次校准探头。

- 按 开始测量。

注： 如果测量值在 120 秒后还未稳定，则仪表会自动进入连续测量模式。

高级操作

使用试样 ID

试样 ID 标记用于将读数与特定试样位置相关联。如果已分配，存储的数据将包括此 ID。

- 从主菜单，使用 或 选择 SYSTEM(系统)。确认。
- 使用 或 选择 Sample ID(试样 ID) 并确认。
- 使用 或 选择

选项	说明
Automatic	将为各个试样自动分配连续编号。
Manual	测量之前，需要用键盘或条码扫描仪输入试样 ID 名称（最多 15 个字符）。

选择数据输出

数据可以存储或传输到打印机或 PC。

1. 从主菜单，使用 ▲ 或 ▼ 选择 SYSTEM(系统)。确认。
2. 使用 ▲ 或 ▼ 选择 Data Output(数据输出) 并确认。
3. 使用 ▲ 或 ▼ 选择

选项	说明
Deactivated	如果没有连接打印机或 PC，则选择 Deactivated(已停用)。
For Printer	选择点阵式打印机或热敏打印机。
For Computer	选择 Terminal(终端)、ComLabo 或 ComLabo Easy。 ComLabo 软件可从计算机控制多个模块、pH 和电导率仪表、自动试管、取样器等。ComLabo Easy 软件可从 PC 获取 pH 和电导率数据。

更改日期和时间

可从 Date / Time(日期/时间) 菜单中更改日期和时间。

1. 从主菜单，使用 ▲ 或 ▼ 选择 SYSTEM(系统)。确认。
2. 使用 ▲ 或 ▼ 选择 Date / Time(日期/时间) 并确认。
3. 使用 ◀ 和 ▶ 前进到下一步，然后使用 ▲ 或 ▼ 更改值。确认。
显示屏上将显示当前日期和时间。

调整显示对比度

1. 从主菜单，使用 ▲ 或 ▼ 选择 SYSTEM(系统)。确认。
2. 使用 ▲ 或 ▼ 选择显示对比度并确认。
3. 使用 ◀ 和 ▶ 调整显示对比度并确认。

调整温度

可以在 25 °C (77 °F) 和/或 85 °C (185 °F) 时调整温度测量值，以提高准确度。

1. 将探头和参考温度计放在由容器盛放的大约 25 °C 的水中，并让温度稳定。
2. 将从仪表读取的温度与参考温度计所测温度进行比较。两者之间的差异就是仪表的调整值。

示例：参考温度计：24.5 °C；仪表：24.3 °C。调整值：0.2 °C。

3. 输入 25 °C 读数的调整值：
 - a. 从主菜单，使用 ▲ 或 ▼ 选择 SYSTEM(系统)。确认。
 - b. 使用 ▲ 或 ▼ 选择 Readjust temp.(重新调整温度) 并确认。
 - c. 使用 ▲ 或 ▼ 选择 25 °C 并确认。
 - d. 使用箭头键输入 25 °C 的调整值。确认。
4. 将探头和参考温度计放在由容器盛放的大约 85 °C 的水中，并让温度稳定。
5. 将从仪表读取的温度与参考温度计所测温度进行比较。两者之间的差异就是仪表的调整值。
 - a. 使用 ▲ 或 ▼ 选择 85 °C 并确认。
 - b. 使用箭头键输入 85 °C 的调整值。确认。
 - c. 选择 Save changes(保存更改) 并确认。

更改搅拌设置

可以开启电磁搅拌器，并在 Stirring(搅拌) 菜单中更改搅拌速度。

1. 从主菜单，使用 ▲ 或 ▼ 选择 SYSTEM(系统)。确认。
2. 使用 ▲ 或 ▼ 选择 Stirring(搅拌) 并确认。
3. 要开启/关闭搅拌器，请按 ✓。
4. 当搅拌器开启时，使用 ▲ 或 ▼ 按百分比更改搅拌速度。
注：使用 ▲ 或 ▼ 在校准和测量过程中更改搅拌速度。

更改温度单位

温度单位可以更改为摄氏度或华氏度。

1. 从主菜单，使用 ▲ 或 ▼ 选择 SYSTEM(系统)。确认。
2. 使用 ▲ 或 ▼ 选择 Temperature units(温度单位) 并确认。
3. 使用 ▲ 或 ▼ 选择 Celsius(摄氏度) 或 Fahrenheit(华氏度) 并确认。

数据记录器

显示数据

显示数据日志中包含测量数据、电极报告和校准数据。存储的数据可以发送到打印机或 PC。当数据日志已满（400 个数据点）时，在添加新数据点时，删除最早的数据点。

1. 从主菜单，使用 ▲ 或 ▼ 选择 SYSTEM(系统)。确认。
2. 使用 ▲ 或 ▼ 选择 DATA LOGGER(数据记录器) 并确认。
3. 使用 ▲ 或 ▼ 选择 Display data(显示数据) 并确认。
4. 使用 ▲ 或 ▼ 选择

选项	说明
Measurement data	测量数据 — 每次测量试样时自动存储
Electrode report	电极报告 — 自动存储电极历史记录和测量条件
Calibration data	校准数据 — 自动存储当前校准

删除数据

全部测量数据或电极报告日志都可以删除，以便移除已经发送到打印机或 PC 的数据。

1. 从主菜单，使用 ▲ 或 ▼ 选择 SYSTEM(系统)。确认。
2. 使用 ▲ 或 ▼ 选择 DATA LOGGER(数据记录器) 并确认。
3. 使用 ▲ 或 ▼ 选择 Erase(清除) 并确认。
4. 使用 ▲ 或 ▼ 选择 Measurement data(测量数据) 或 Electrode report(电极报告) 并确认。再次确认删除数据。
全部日志将一次性删除。

将数据发送到打印机或计算机

注意

需要首先选择数据输出（打印机或 PC），使 Print(打印) 菜单可用（参考选择数据输出 第 72）。

注：参考报告输出 第 74 选择报告输出类型。

1. 从主菜单，使用 ▲ 或 ▼ 选择 SYSTEM(系统)。确认。
2. 使用 ▲ 或 ▼ 选择 DATA LOGGER(数据记录器) 并确认。
3. 使用 ▲ 或 ▼ 选择 Print(打印) 并确认。选择以下选项之一并使用 ✓ 进行确认，以打印数据：测量数据、电极数据、校准数据、校准报告或仪表状况。

报告输出

注意

需要首先选择数据输出（打印机或 PC），因此可使用 Type of report(报告类型) 菜单（参考选择数据输出 第 72）。

连接打印机或 PC 时，有多个报告输出类型可选。

1. 从主菜单，使用 ▲ 或 ▼ 选择 SYSTEM(系统)。确认。
2. 使用 ▲ 或 ▼ 选择 Type of report(报告类型) 并确认。
3. 当连接打印机或计算机和终端时，使用 ▲ 或 ▼ 选择

选项	说明
Reduced	选择 Several(多个) 或 One(一个) 试样作为输出格式
Standard	选择 Several(多个) 或 One(一个) 试样作为输出格式。选择多个： Users(用户) : 用户名显示在打印报告上（17 个字符）。 Header(标题) : 可以将公司名称添加为标题（40 个字符）并显示在打印报告上。 Identify sensor(识别传感器) : 可以添加传感器型号和序列号并显示在打印报告上。
GLP	选择 Several(多个) 或 One(一个) 试样作为输出格式。选择多个： Users(用户) : 用户名显示在打印报告上（17 个字符）。 Header(标题) : 可以将公司名称添加为标题（40 个字符）并显示在打印报告上。 Identify sensor(识别传感器) : 可以添加传感器型号和序列号并显示在打印报告上。

4. 当连接计算机并选择 ComLabo Easy 时，使用 ▲ 或 ▼ 选择

选项	说明
Users	用户名显示在打印报告上（17 个字符）。
Identify sensor	可以添加传感器型号和序列号并显示在打印报告上。

维护

▲ 警告

多种危险。请勿拆卸仪器进行维护。如果必须清洁或维修内部组件，请联系制造商。

▲ 警告

存在人身伤害危险。只有合格的专业人员，才能从事手册此处所述的工作。

清洁仪器

注意

切勿使用松节油、丙酮或类似清洁剂来清洁仪器，包括显示屏和附件。

使用湿布和加温的肥皂溶液清洁仪器的外部。

清洁探头

按需要清洁探头。有关清洁的详细信息，请参考[故障排除](#)第 77。有关探头维护的信息，请参考探头文档。

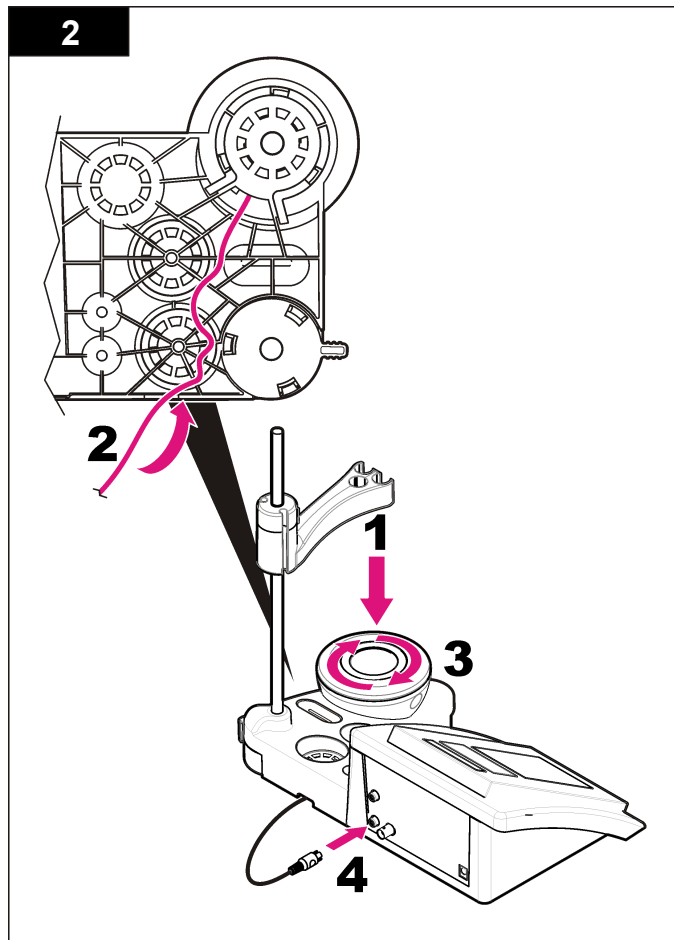
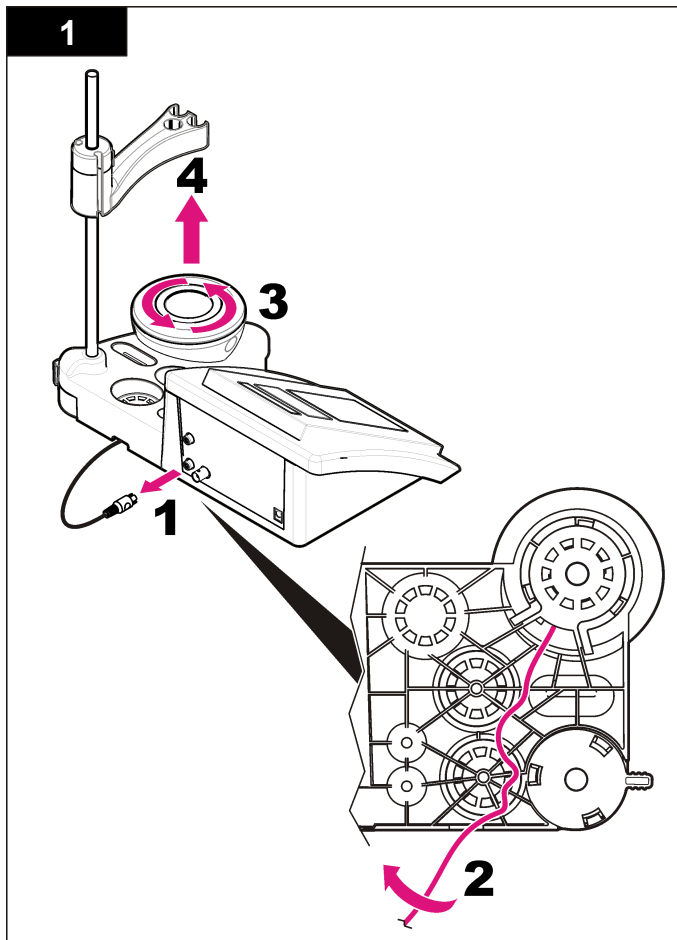
使用表 1 中列出的清洁剂来处理 pH 探头上的污染物。

表 1 适用于 pH 探头的清洁剂

污染物	清洁剂
蛋白质	胃蛋白酶清洗液
油脂、油、脂肪	电极清洁液
水垢	0.1 N HCl 溶液

更换电磁搅拌器

如果电磁搅拌器不启动，请按照编号步骤更换电磁搅拌器。



故障排除

有关常见问题消息或故障现象、可能的原因和纠正措施，请参阅以下表格。

表 2 校准警告和错误

错误/警告	解决方案
不对称性 > 58 mV	斜率超出范围（接受值 ± 58 mV）。 再次校准。 连接新探头。
缓冲溶液或电极状况不佳。	再次校准。 检查探头：清洁探头（有关详细信息，请参考 清洁探头 第 75 ）；确保膜中没有气泡。像摇晃温度计一样摇晃探头；连接不同的探头，以检验探头或仪表是否存在问题。
灵敏度(a) < 70%	检查缓冲溶液：确保所用的缓冲溶液符合配置中指定的要求；确保符合配置中的温度规格；使用新的缓冲溶液。
未识别缓冲溶液	
读数不稳定 时间 > 100 秒	再次校准。 检查探头：清洁探头（有关详细信息，请参考 清洁探头 第 75 ）；确保膜中没有气泡。像摇晃温度计一样摇晃探头；连接不同的探头，以检验探头或仪表是否存在问题。 确保隔膜和膜片正确浸入试样中。
电极状况不佳。	检查探头：清洁探头（有关详细信息，请参考 清洁探头 第 75 ）；确保膜中没有气泡。像摇晃温度计一样摇晃探头；连接不同的探头，以检验探头或仪表是否存在问题。
检查电极	
缓冲溶液相同	再次校准。 检查探头：清洁探头（有关详细信息，请参考 清洁探头 第 75 ）；确保膜中没有气泡。像摇晃温度计一样摇晃探头；连接不同的探头，以检验探头或仪表是否存在问题。 检查缓冲溶液：使用新的缓冲溶液。

表 3 测量警告和错误

错误/警告	解决方案
pH 12.78 19°C	再次校准
pH 超出范围	检查探头：清洁探头（有关详细信息，请参考 清洁探头 第 75 ）；确保膜中没有气泡。像摇晃温度计一样摇晃探头；连接不同的探头，以检验探头或仪表是否存在问题。
温度超出范围	检查温度传感器。 连接不同的探头，以检验探头或仪表是否存在问题。
时间 > 60 秒	确保隔膜和膜片正确浸入试样中。
时间 > 150 秒	检查温度。 检查探头：清洁探头（有关详细信息，请参考 清洁探头 第 75 ）；确保膜中没有气泡。像摇晃温度计一样摇晃探头；连接不同的探头，以检验探头或仪表是否存在问题。
时间 > 300 秒	

更换部件与配件

注： 一些销售地区的产品和物品数量可能有所不同。请与相关分销商联系或参阅公司网站上的联系信息。

更换部件

说明	物品编号
sensION+ PH3 实验室 pH 仪表，带配件，不带探头	LPV2000.97.0002
sensION+ PH31 实验室 pH 仪表，GLP，带配件，不带探头	LPV2100.97.0002
sensION+ MM340 实验室 pH 和离子仪表，GLP，2 通道，带配件，不带探头	LPV2200.97.0002
sensION+ EC7 实验室电导率仪表，带配件，不带探头	LPV3010.97.0002
sensION+ EC71 实验室电导率仪表，GLP，带配件，不带探头	LPV3110.97.0002
sensION+ MM374，2 通道实验室仪表，GLP，带配件，不带探头	LPV4110.97.0002

消耗品

说明	物品编号
pH 缓冲溶液 4.01, 带证书, 125 mL	LZW9460.99
pH 缓冲溶液 7.00, 带证书, 125 mL	LZW9461.97
pH 缓冲溶液 10.00, 带证书, 125 mL	LZW9470.99
pH 缓冲溶液 4.01, 带证书, 250 mL	LZW9463.99
pH 缓冲溶液 7.00, 带证书, 250 mL	LZW9464.97
pH 缓冲溶液 10.00, 带证书, 250 mL	LZW9471.99
pH 缓冲溶液 4.01, 带证书, 1000 mL	LZW9466.99
pH 缓冲溶液 7.00, 带证书, 1000 mL	LZW9467.97
pH 缓冲溶液 10.00, 带证书, 1000 mL	LZW9472.99
电解液 (KCl 3M), 125 mL	LZW9510.99
电解液 (KCl 3M), 250 mL	LZW9500.99
电解液 (KCl 3M), 50 mL	LZW9509.99
电解液 0.1 M, 125 mL	LZW9901.99
酶溶液	2964349
胃蛋白酶清洗液	2964349
电极清洁液	2965249
0.1 N HCl 溶液	1481253
酒精, 95%(油脂、油、脂肪)	2378900

配件

说明	物品编号
热敏打印机, RS232, 用于 sensION+ 台式仪表	LZW8201.99
用于打印机 LZW8201 的热敏打印纸, 5 卷袋装	LZW9117.99

更换部件与配件 (续)

说明	物品编号
点阵式打印机, RS232, 用于 sensION+ 仪表	LZW8200.99
用于打印机 LZW8200 的标准打印纸, 10 卷袋装	LZW9000.99
用于打印机 LZW8200 的打印带, 3 卷	LZW9001.99
LabCom Easy PC 软件, 用于 sensION+ GLP, CD, 线缆, USB 适配器	LZW8997.99
LabCom PC 软件, 用于 sensION+ GLP, CD, 线缆, USB 适配器	LZW8999.99
RS232 线缆, 用于 sensION+ 台式仪表	LZW9135.99
RS232 线缆, 用于 sensION+ 台式仪表, 带 USB 适配器	LZW9135USB.99
带传感器座的电磁搅拌器, 用于 sensION+ MM 台式仪表	LZW9319.99
3x50 mL 带刻度烧杯, 用于台式仪表 pH 校准	LZW9110.97
三传感器座, 用于 sensION+ 台式仪表	LZW9321.99
三个传感器的支座和卡夹	LZW9155.99
耐热玻璃腔, 连续流动测量	LZW9118.99
PP 保护器, 电极存储	LZW9161.99

标准溶液

工业用缓冲溶液 (DIN 19267)

请参考不同温度下特定缓冲组的表 4pH 和 ORP (mV) 值。

表 4 pH、ORP (mV) 和温度值

温度		pH					mV
°C	°F						
0	32	2.01	4.01	7.12	9.52	10.30	—
10	50	2.01	4.00	7.06	9.38	10.17	245

表 4 pH、ORP (mV) 和温度值 (续)

温度		pH					mV
°C	°F						
20	68	2.00	4.00	7.02	9.26	10.06	228
25	77	2.00	4.01	7.00	9.21	10.01	220
30	86	2.00	4.01	6.99	9.16	9.96	212
40	104	2.00	4.03	6.97	9.06	9.88	195
50	122	2.00	4.06	6.97	8.99	9.82	178
60	140	2.00	4.10	6.98	8.93	9.76	160
70	158	2.01	4.16	7.00	8.88	—	—
80	176	2.01	4.22	7.04	8.83	—	—
90	194	2.01	4.30	7.09	8.79	—	—

仕様書

この仕様は予告なく変更されることがあります。

仕様	詳細
寸法	35 x 20 x 11 cm
重量	1100 g
保護構造	IP42
電源要件 (外部)	100 ~ 240 V、0.4 A、47 ~ 63 Hz
測定器の保護クラス	Class II
保管温度	-15 ~ +65°C
動作温度	0 ~ 40°C
運転湿度	80 % 未満 (結露なきこと)
分解能	pH: 0.1/0.01/0.001、ORP: 0.1/1 mV、温度: 0.1°C
測定誤差 (± 1 桁)	pH: 0.002 以下、ORP: 0.2 mV 以下、温度: 0.2°C 以下
再現性 (± 1 桁)	pH: ± 0.001、ORP: ± 0.1 mV、温度: ± 0.1°C
データ・ストレージ	330 の結果および最近の 9 つの校正
接続	複合またはインジケータ・プローブ: BNC コネクタ (インピーダンス 10 ¹² Ω超)、参照電極: バナナ・コネクタ、A.T.C. タイプ Pt 1000: バナナまたは電話コネクタ、スターラー: RCA コネクタ RS232C (プリンターまたは PC 接続用): 電話コネクタ、外部 PC キーボード: ミニ DIN コネクタ
温度補正	手動、Pt 1000 温度プローブ (A.T.C.)、NTC 10 kΩプローブ アイソポテンシャル pH プログラム可能、標準値 7.00
測定ディスプレイのロック	安定性および時間での連続測定
ディスプレイ	液晶、バックライト付き、128 x 64 ドット

仕様	詳細
キーボード	PET、保護加工
取得認証	CE

総合情報

改訂版は、製造元のウェブサイト上にあります。

安全情報

この機器の開梱、設定または操作を行う前に、このマニュアルをすべてよく読んでください。危険および注意の注意事項に注意を払ってください。これを怠ると、オペレータが重傷を負う可能性、あるいは機器が損傷を受ける可能性があります。

本装置に備わっている保護機能が故障していないことを確認します。本マニュアルで指定されている以外の方法で本装置を使用または設置しないでください。

危険情報の使用

▲ 危険
回避しなければ死亡または重傷につながる、潜在的または切迫した危険な状況を示します。



▲ 警告
避けない場合、死亡事故や負傷が起こるかも知れない危険な状況を示します。

▲ 注意
軽傷または中傷事故の原因となる可能性のある危険な状況を示しています。

注意
回避しなければ、装置の損傷を引き起こす可能性のある状況を示します。特に注意を要する情報。

使用上の注意ラベル

測定器上に貼付されたラベルやプレートを全てお読みください。これを怠ると、人身傷害や装置の損傷につながるおそれがあります。装置にシンボルが記載されている場合、マニュアルに「危険」または「注意」事項が含まれています。

	<p>このシンボルが測定器に記載されている場合、操作上の指示マニュアル、または安全情報を参照してください。</p>
	<p>このシンボルが表示された電気機器は、欧州廃棄システムにより 2005 年 8 月 12 日以降の廃棄処分が禁じられています。欧州地域規制および国内規制 (EU 指令 2002/98/EC) に従い、欧州の電気機器ユーザーは古くなったまたは使い切った機器をメーカーに無償返却する必要があります。</p> <p>注: リサイクルのために返却する際には、道具の製造者または販売業者に連絡を取り、使用済みの道具、製造者に供給された電動付属品、ならびにすべての付属品を適切に廃棄するための指示を受けてください。</p>

製品概要

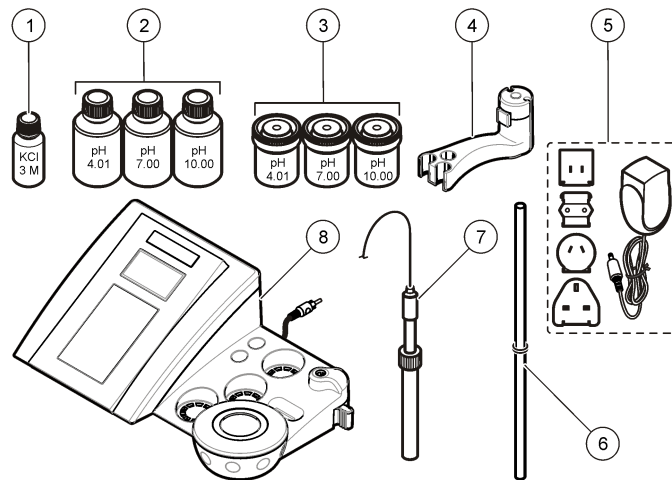
sensION™+ 測定器は、プローブとともに、水のさまざまなパラメーターを測定するのに使用します。

sensION™+ PH31 測定器では、pH、ORP (mV)、または温度を測定します。測定データは、プリンターに転送したり、PC に保存したりすることができます。

製品コンポーネント

図 1 を参照して、すべてのコンポーネントがあることを確認します。コンポーネントが不足していたり損傷していたりした場合は、直ちにメーカーまたは販売代理店にお問合せください。

図 1 測定器コンポーネント

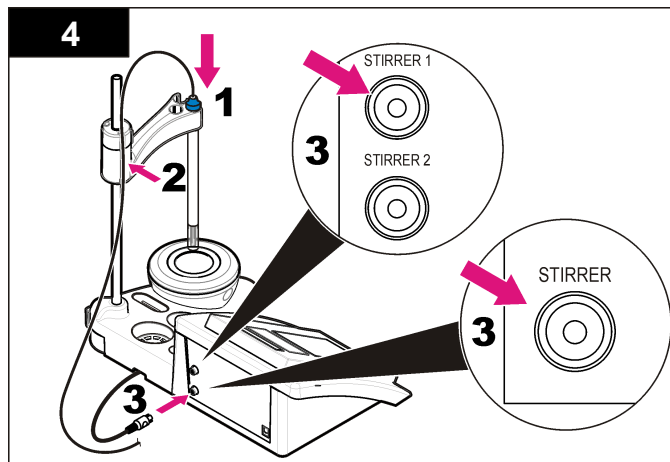
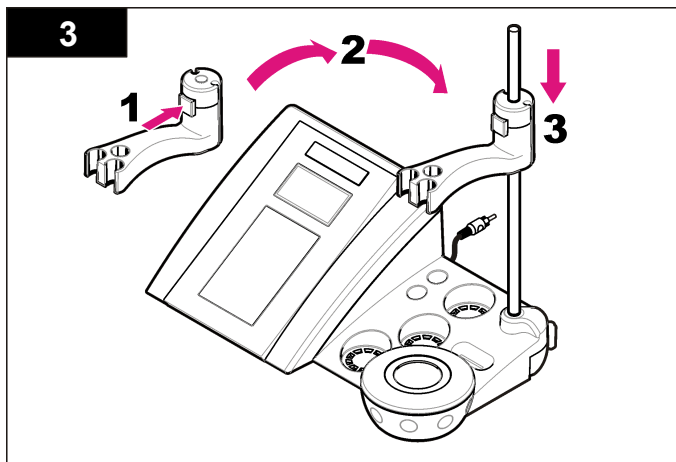
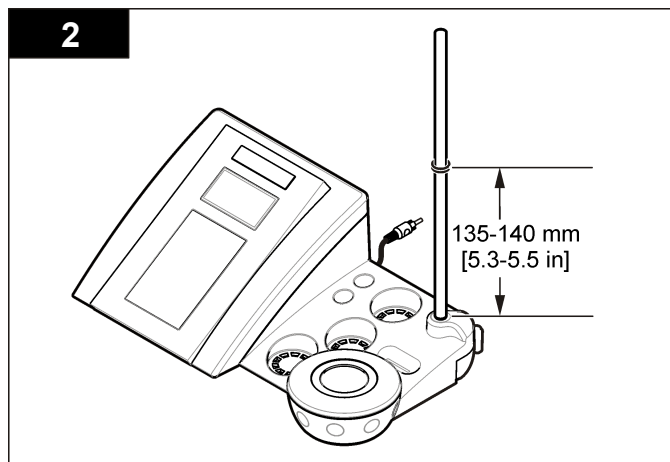
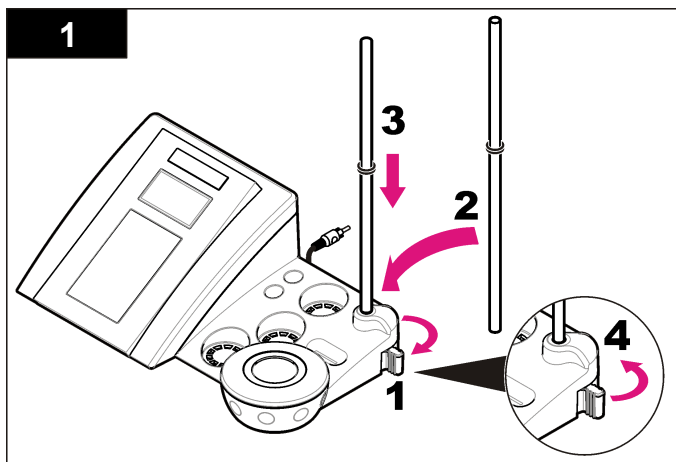


1 プローブの電極	5 電源
2 緩衝液 (pH 4.01、pH 7.00、および pH 10.00)	6 O リング付きロッド
3 校正ビーカー (磁気バー入り)	7 プローブ (キットにのみ付属)
4 プローブ・ホルダー	8 測定器

設置

プローブ・ホルダーの組み立て

一連の手順に従い、プローブ・ホルダーを組み立て、スターラーを接続します。



AC 電源への接続

⚠ 危険

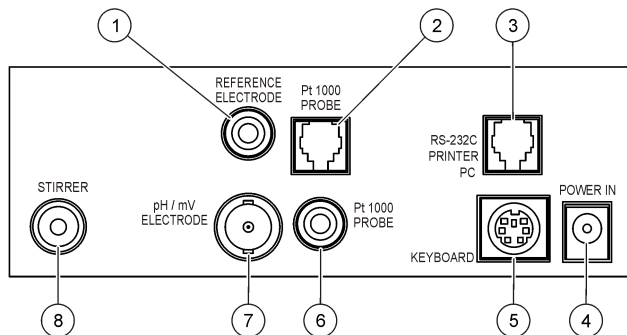


感電死の危険。この装置を屋外または湿っている可能性がある場所で使用する場合は、主電源との接続に漏電回路安全装置 (GFCI/GFI) を使用する必要があります。

測定器は、ユニバーサル電源アダプタを使用して AC 電源から給電することができます。

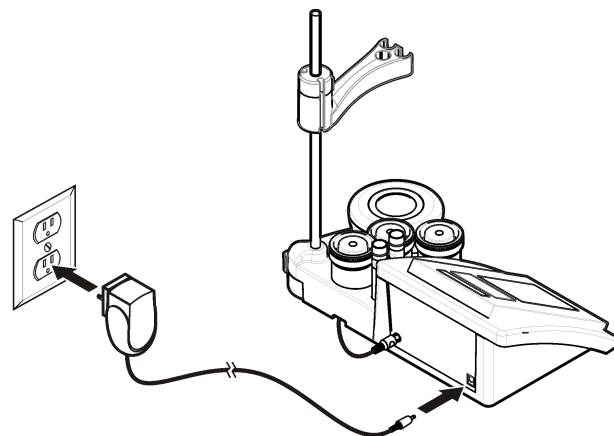
1. アダプタ・キットからコンセントに適したアダプタ・プラグを選択します。
2. ユニバーサル電源アダプタを測定器に接続します (図 2)。
3. ユニバーサル電源アダプタをコンセントに差し込みます (図 3)。
4. 測定器をオンにします。

図 2 コネクタ・パネル



1 参照電極 (分離電極) コネクタ	5 PC キーボード接続用のミニ DIN コネクタ
2 分離温度プローブ・コネクタ	6 温度プローブ・コネクタ
3 プリンターまたは PC 接続用の RS-232 コネクタ	7 複合 pH 電極 (またはインジケータ) コネクタ
4 電源	8 スターラー・コネクタ

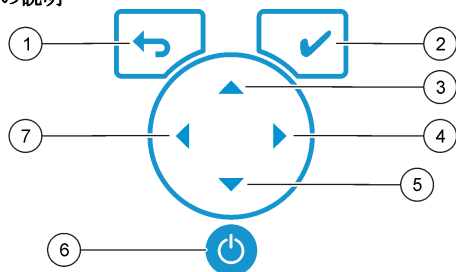
図 3 AC 電源の接続



ユーザーインターフェースとナビゲーション

ユーザー・インターフェース

キーパッドの説明

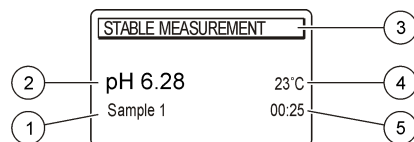


1 リターン・キー: 現在のメニュー画面をキャンセルまたは終了し、前の画面に戻る	5 矢印キー(下): 別のオプションへのスクロール、値の変更
2 測定キー: 選択したオプションの確定	6 オン/オフ: 測程器のオン/オフの切り替え
3 矢印キー(上): 別のオプションへのスクロール、値の変更	7 矢印キー(左): 測定単位の変更、英数字の入力
4 矢印キー(右): 測定単位の変更、英数字の入力	

ディスプレイの説明

測定器のディスプレイには、濃度、単位、温度、校正ステータス、オペレータ ID、試料 ID、日時が表示されます。

図 4 シングル画面表示



1 試料 ID	4 試料温度 (°Cまたは °F)
2 測定単位および値 (pH、ORP (mV))	5 測定タイマー
3 測定モードまたは日時	

ナビゲーション

前のメニューに戻るには、**←**を使用します。測定キー**✓**で、試料測定またはオプションの確定を行います。矢印キー**▲▼**で、別のオプションへのスクロールまたは値の変更を行います。パラメーターを変更するには、矢印キー**◀▶**を使用します。詳細な説明については、各作業の項目を参照してください。

開始

測定器のオンとオフ

注意

測定器の電源をオンにする前に、プローブが測定器に接続されていることを確認してください。

Ⓞ を押して、測定器をオンまたはオフにしてください。測定器がオンにならない場合は、バッテリーが正しく取り付けられていること、または AC 電源アダプターがコンセントに正しく接続されていることを確認してください。

言語の変更

表示言語は測定器の電源を初めてオンにしたときに選択します。

- ▲または▼を使用してリストから言語を選択します。
- ✓で確定します。測定画面に [DATA OUTPUT (データ出力)] と表示されます。

3. プリンターまたは PC が接続されていない場合は [Deactivated (停止)] を選択し、確定します。データ出力の詳細は、[データ出力の選択](#) ページの 87 を参照してください。

標準操作

校正

▲ 警告

化学物質による人体被害の危険。検査室の安全手順に従い、取り扱う薬品に適した個人用保護具をすべて装着してください。安全規約については、最新の化学物質安全性データシート (MSDS) を参照してください。

校正設定

校正設定には、[Calibration type (校正の種類)]、[Calibration frequency (校正の頻度)]、および [Display (ディスプレイ)] オプションがあります。

1. メイン・メニューで ▲ または ▼ を使用して [CALIBRATION (校正)] を選択します。確定します。
2. ▲ を使用して校正メニューを表示します。
3. ▲ または ▼ を使用して以下のオプションを選択します。

オプション	説明
Stability C. (安定性基準)	安定性による基準 - [Fast (高速)]、[Standard (標準)]、または [Strict (厳密)] を選択します。
Calibration type (校正の種類)	校正の種類 - [Technical buffers (技術緩衝液)]、[DIN19266 Buffers (DIN19266 緩衝液)]、[User Buffers (ユーザー緩衝液)]、[To a X value (X 値へ)]、[data introduction (データ導入)]、または [Theoretical calibration (理論校正)] を選択します。詳細は、 Calibration types を参照してください。
Cal. frequency (校正頻度)	校正通知 - 0 ~ 7 日に設定できます (デフォルトは毎日)。ディスプレイに、新しい校正までの残り時間が表示されます。詳細は、 校正通知の設定 ページの 86 を参照してください。
Display mV (mV の表示)	mV の表示 - mV を表示するかどうかについて、[YES (はい)] または [NO (いいえ)] を選択します。

オプション	説明
Standard 220 mV (標準 220 mV)	標準 220 mV - 220 mV 標準溶液で校正します。
To a X value (X 値へ)	X 値へ - 特定の標準溶液を使用します。校正時に値を調整してください。
Data introduction (データ導入)	データ導入補正 - 補正値を入力します。
Factory adjust (出荷時調整)	出荷時調整 - 補正値を入力します。

校正の種類

さまざまな校正の種類を選択できます。

1. メイン・メニューで ▲ または ▼ を使用して [CALIBRATION (校正)] を選択します。確定します。
2. ▲ を使用して校正メニューを表示します。
3. ▲ または ▼ を使用して [Calibration type (校正の種類)] を選択します。

オプション	説明
Technical buffers (技術緩衝液)	pH 2.00、4.01、7.00、9.21、および 10.90 (25°C)
DIN19266 Buffers (DIN19266 緩衝液)	pH 1.679、4.006、6.865、7.000、9.180、10.012、および 12.454
User Buffers (ユーザー緩衝液)	[Technical buffers (技術緩衝液)] または [DIN19266 Buffers (DIN19266 緩衝液)] が使用されない場合に選択されます。温度ごとの規定緩衝液セットの pH 値については、 技術緩衝液 (DIN 19267) ページの 94 を参照してください。
Calibration to a X value (X 値への校正)	測定された pH のスケール値を手動で調整する場合に選択します。

オプション	説明
Data introduction (データ導入)	手動によるプローブ定数の導入。
Theoretical calibration (理論校正)	25℃のときにプローブ校正データが置換されます。

校正手順

液状の校正液を使用した一般的な校正の手順です。液状の校正液を使用した一般的な校正の手順です。詳細は、各プローブに付属のドキュメントを参照してください。

注: 校正時に溶液を攪拌する必要があります。攪拌設定の詳細は、攪拌設定の変更ページの 88 を参照してください。

1. 緩衝液または校正液をラベルの付いた校正ビーカーに注ぎます。
2. メイン・メニューで ▲、▼、◀、▶ を使用して [CALIBRATION (校正)] パラメーターを選択します。確定します。
3. 必要に応じて、[Operator ID (オペレータ ID)] (1 ~ 10) を選択し、確定します。
4. プローブを純水で洗浄し、1つ目の校正ビーカーに入れます。電極膜付近に気泡がないことを確認してください。
5. ✓ を押して校正を開始します。
6. ✓ を押して1つ目の校正液を測定します。次の校正液が表示されます。
7. プローブを純水で洗浄し、1つ目の校正ビーカーに入れます。電極膜付近に気泡がないことを確認してください。
8. ✓ を押して2つ目の校正液を測定します。次の校正液が表示されます。
9. プローブを純水で洗浄し、1つ目の校正ビーカーに入れます。電極膜に気泡がないことを確認してください。
10. ✓ を押して3つ目の校正液を測定します。校正結果が良好の場合、ディスプレイに [Calibration OK (校正 OK)] と表示され、メイン・メニューに戻ります。
注: プリンターが接続されている場合は、印刷メニューが開き、結果を印刷できます。

校正データの表示

最近の校正データを表示できます。

1. メイン・メニューで ▲ または ▼ を使用して [DATA LOGGER (データ・ロガー)] を選択します。確定します。
2. [Display data (表示データ)] を選択します。
3. [Calibration data (校正データ)] を選択し、✓ で確定します。前回の校正データが表示されます。
 - pH - スローブ値およびオフセット値と、偏差値 (% 単位) および校正温度が、交互に表示されます。
 - ORP - 測定された mV 値と校正温度が表示されます。
 - 導電率 - 各標準溶液のセル定数および校正温度が表示されます。

校正通知の設定

校正通知は、0 ~ 23 時間または 1 ~ 7 日に設定できます (デフォルトは 0 日)。ディスプレイに、新しい校正までの残り時間が表示されます。
注: 0 日を選択した場合、校正通知はオフになります。

1. メイン・メニューで ▲ または ▼ を使用して [CALIBRATION (校正)] を選択します。確定します。
2. ▲ を使用して校正メニューを表示します。
3. ▲ または ▼ を使用して [Cal. frequency (校正の頻度)] を選択し、確定します。
4. ◀ と ▶ を使用して次の手順に進み、▲ または ▼ を使用して値を変更します。確定します。
✓ を押して校正を開始します。

試料測定

各プローブでは、試料測定を行う際の特定の準備手順が定められています。

1. メイン・メニューで ▲、▼、◀、▶ を使用して [MEASURE (測定)] を選択します。確定します。

2. ▲を使用して以下の設定を変更し、それぞれ確定します。

オプション	説明
対処法	分解能を選択します。1、0.1、0.01 (デフォルト)、または 0.001
Measure (測定)	[Stability (安定性)] - [By stability Criterion (安定性条件で)]: [Fast (高速)] (ばらつき 0.02 pH 未満 (6 秒))、[Standard (標準)] (ばらつき 0.01 pH 未満 (6 秒))、または [Strict (厳密)] (ばらつき 0.002 pH 未満 (6 秒)) を選択します。[In continuous (連続で)] - [In continuous Acquis. interval (連続取得間隔)] (データ保管またはデータ印刷)の間隔を入力します。[By time (時間で)] - データ保管またはデータ印刷の間隔を入力します。
Display mV (mV の表示)	mV の表示 - mV を表示するかどうかについて、[YES (はい)] または [NO (いいえ)] を選択します。
Limits (制限)	制限 - [YES (はい)] または [NO (いいえ)] を選択します。[YES (はい)]: 上限および下限を入力します。測定が制限の範囲外の場合は、警告音が鳴ります。測定が制限の範囲外だった場合、レポート出力では測定値の横に A が表示されます。
Isopotential (アイソポテンシャル)	アイソポテンシャル - [Data introduction (データ導入)] でアイソポテンシャル pH 値を変更します。再度プローブを校正するには [Calculate (計算)] を選択します。

3. ✓ を押して測定を開始します。

注: 120 秒後に測定が安定していない場合は、測定器が自動的に連続測定モードになります。

高度な操作

試料 ID の使用

サンプル ID タグは測定値を個々の試料場所に関係付けるために使用されます。割り当てられると、保存データにはこの ID が含まれます。

1. メイン・メニューで ▲ または ▼ を使用して [SYSTEM (システム)] を選択します。確定します。
2. ▲ または ▼ を使用して [Sample ID (試料 ID)] を選択し、確定しません。

3. ▲ または ▼ を使用して以下のオプションを選択します。

オプション	説明
Automatic (自動)	連続番号が各試料に自動的に割り当てられます。
Manual (マニュアル)	測定を行う前に、試料 ID 名 (最大 15 文字) を入力します。キーボードまたはバーコード・スキャナーが必要です。

データ出力の選択

データは、プリンターに転送したり、PC に保存したりすることができます。

1. メイン・メニューで ▲ または ▼ を使用して [SYSTEM (システム)] を選択します。確定します。
2. ▲ または ▼ を使用して [Data Output (データ出力)] を選択し、確定します。
3. ▲ または ▼ を使用して以下のオプションを選択します。

オプション	説明
Deactivated (停止)	プリンターまたは PC が接続されていない場合は、[Deactivated (停止)] を選択します。
For Printer (プリンターへ)	[Dot matrix printer (ドット・マトリックス・プリンター)] または [Thermal printer (サーマル・プリンター)] を選択します。
For Computer (コンピューターへ)	[Terminal (端子)]、[ComLabo]、または [ComLabo Easy] を選択します。ComLabo ソフトウェアは、コンピューターから、いくつかのモジュール、pH および導電率測定器、自動ビュレット、サンプラーなどを制御します。ComLabo Easy ソフトウェアは、PC から pH および導電率データを取得します。

日付と時間の変更

日付と時間は [Date / Time (日付/時間)] メニューで変更可能です。

1. メイン・メニューで ▲ または ▼ を使用して [SYSTEM (システム)] を選択します。確定します。

- ▲または▼を使用して [Date / Time (日付/時間)] を選択し、確定します。
- ◀と▶を使用して次の手順に進み、▲または▼を使用して値を変更します。確定します。
現在の日付と時刻はディスプレイに表示されます。

ディスプレイのコントラストの調整

- メイン・メニューで▲または▼を使用して [SYSTEM (システム)] を選択します。確定します。
- ▲または▼を使用して [Display contrast (ディスプレイ コントラスト)] を選択し、確定します。
- ◀と▶を使用してディスプレイのコントラストを調整し、確定します。

温度の調整

温度測定は、25°Cおよび/または 85°Cで調整できます。調整を行うと、測定精度が高まります。

- プローブと基準温度計を約 25°Cの水が入った容器に入れ、温度が安定するのを待ちます。
- 測定器の測定温度と基準温度計の測定温度を比較します。この値の差が測定器の調整値です。
例: 基準温度計: 24.5°C、測定器: 24.3°Cの場合、調整値: 0.2°C。
- 25°C測定の調整値を入力します。
 - メイン・メニューで▲または▼を使用して [SYSTEM (システム)] を選択します。確定します。
 - ▲または▼を使用して [Readjust temp. (温度の再調整)] を選択し、確定します。
 - ▲または▼を使用して 25°Cを選択し、確定します。
 - 矢印キーを使用して 25°Cの調整値を入力し、確定します。
- プローブと基準温度計を約 85°Cの水が入った容器に入れ、温度が安定するのを待ちます。
- 測定器の測定温度と基準温度計の測定温度を比較します。この値の差が測定器の調整値です。

- ▲または▼を使用して 85°Cを選択し、確定します。
- 矢印キーを使用して 85°Cの調整値を入力し、確定します。
- [Save changes (変更の保存)] を選択し、確定します。

攪拌設定の変更

[Stirring (攪拌)] メニューで、スターラーをオンにし、攪拌速度を変更できます。

- メイン・メニューで▲または▼を使用して [SYSTEM (システム)] を選択します。確定します。
- ▲または▼を使用して [Stirring (攪拌)] を選択し、確定します。
- スターラーをオンまたはオフにするには、✓を押します。
- スターラーがオンになったら、▲または▼を使用して % で攪拌速度を変更します。

注: 校正時および測定時に攪拌速度を変更するには、▲または▼を使用しません。

温度単位の変更

温度単位は、摂氏または華氏に変更できます。

- メイン・メニューで▲または▼を使用して [SYSTEM (システム)] を選択します。確定します。
- ▲または▼を使用して [Temperature units (温度単位)] を選択し、確定します。
- ▲または▼を使用して [Celsius (摂氏)] または [Fahrenheit (華氏)] を選択し、確定します。

データ・ロガー

表示データ

[Display data (表示データ)] ログには、[Measurement data (測定データ)]、[Electrode report (電極レポート)]、および [Calibration data (校正データ)] があります。保存データはプリンターまたは PC に送信できます。データ・ログがいっぱい (400 データ・ポイント) になった場合は、新しいデータ・ポイントが追加されたときに最も古いデータ・ポイントが削除されます。

1. メイン・メニューで▲または▼を使用して [SYSTEM (システム)] を選択します。確定します。
2. ▲または▼を使用して [DATA LOGGER (データ・ロガー)] を選択し、確定します。
3. ▲または▼を使用して [Display data (表示データ)] を選択し、確定します。
4. ▲または▼を使用して以下のオプションを選択します。

オプション	説明
Measurement data (測定データ)	測定データ - 試料が測定されるごとに自動的に保存されます。
Electrode report (電極レポート)	電極レポート - 電極履歴および測定条件が自動的に保存されます。
Calibration data (校正データ)	Calibration data (校正データ) - 現在の校正が自動的に保存されます。

データの削除

測定データまたは電極レポート・ログ全体を削除して、プリンターまたは PC にすでに送信されたデータを削除することができます。

1. メイン・メニューで▲または▼を使用して [SYSTEM (システム)] を選択します。確定します。
2. ▲または▼を使用して [DATA LOGGER (データ・ロガー)] を選択し、確定します。
3. ▲または▼を使用して [Erase (消去)] を選択し、確定します。
4. ▲または▼を使用して [Measurement data (測定データ)] または [Electrode report (電極レポート)] を選択し、確定します。再度確定してデータを削除します。
ログ全体が一度に削除されます。

プリンターまたはコンピューターへのデータ送信

注意

最初にデータ出力 (プリンターまたは PC) を選択して、[Print (印刷)] メニューを使用可能にする必要があります (データ出力の選択 ページの 87を参照)。

注: レポート出力の種類については、レポート出力 ページの 89 を参照してください。

1. メイン・メニューで▲または▼を使用して [SYSTEM (システム)] を選択します。確定します。
2. ▲または▼を使用して [DATA LOGGER (データ・ロガー)] を選択し、確定します。
3. ▲または▼を使用して [Print (印刷)] を選択し、確定します。
[Measurement data (測定データ)], [Electrode data (電極データ)], [Calibration data (校正データ)], [Calibration report (校正レポート)], [Instrument condit (装置状態)] のいずれかのオプションを選択し、✓ で確定してデータを印刷します。

レポート出力

注意

最初にデータ出力 (プリンターまたは PC) を選択して、[Type of report (レポートの種類)] メニューを使用可能にする必要があります (データ出力の選択 ページの 87 を参照)。

プリンターまたは PC が接続されている場合は、さまざまなレポート出力の種類を選択できます。

1. メイン・メニューで▲または▼を使用して [SYSTEM (システム)] を選択します。確定します。
2. ▲または▼を使用して [Type of report (レポートの種類)] を選択し、確定します。
3. プリンターまたはコンピューターと端末が接続されている場合は、▲または▼を使用して以下のオプションを選択します。

オプション 説明

Reduced (限定) 出力形式として [Several (複数)] または [One sample (1 つの試料)] を選択します。

オプション 説明

Standard (標準) 出力形式として [Several (複数)] または [One sample (1 つの試料)] を選択します。[Several (複数)] を選択した場合: **Users (ユーザー)**: 印刷されるレポートにユーザー名が記載されます (17 文字)。**Header (ヘッダー)**: ヘッダーとして会社名を追加できます (40 文字)。この会社名は印刷レポートに記載されます。**Identify sensor (センサの識別)**: センサのモデルとセンサのシリアル番号を追加できます。これらは印刷レポートに記載されます。

GLP 出力形式として [Several (複数)] または [One sample (1 つの試料)] を選択します。[Several (複数)] を選択した場合: **Users (ユーザー)**: 印刷されるレポートにユーザー名が記載されます (17 文字)。**Header (ヘッダー)**: ヘッダーとして会社名を追加できます (40 文字)。この会社名は印刷レポートに記載されます。**Identify sensor (センサの識別)**: センサのモデルとセンサのシリアル番号を追加できます。これらは印刷レポートに記載されます。

4. コンピューターが接続されており、ComLabo Easy (詳細は、を参照) が選択されている場合は、▲または▼を使用して以下のオプションを選択します。

オプション 説明

Users (ユーザー) 印刷されるレポートにユーザー名が記載されます (17 文字)。

Identify sensor (センサの識別) センサのモデルとセンサのシリアル番号を追加できます。これらは印刷レポートに記載されます。

メンテナンス

▲ 警告

複合的な危険。メンテナンスのために装置を分解しないでください。内部のコンポーネントを清掃するか、または修理する場合は、メーカーにお問合せください。

▲ 注意

人体損傷の危険。マニュアルのこのセクションに記載されている作業は、必ず資格のある要員が行う必要があります。

装置の清掃

注意

装置 (ディスプレイや付属品を含む) の洗浄に、テレピン油、アセトンまたは類似の製品等の洗浄剤を使用しないでください。

装置の外部を湿った布と中性洗剤で清掃してください。

プローブの洗浄

必要に応じて、プローブを洗浄します。洗浄の詳細は、[トラブルシューティング](#) ページの 92 を参照してください。プローブのメンテナンスについては、プローブの説明書を参照してください。

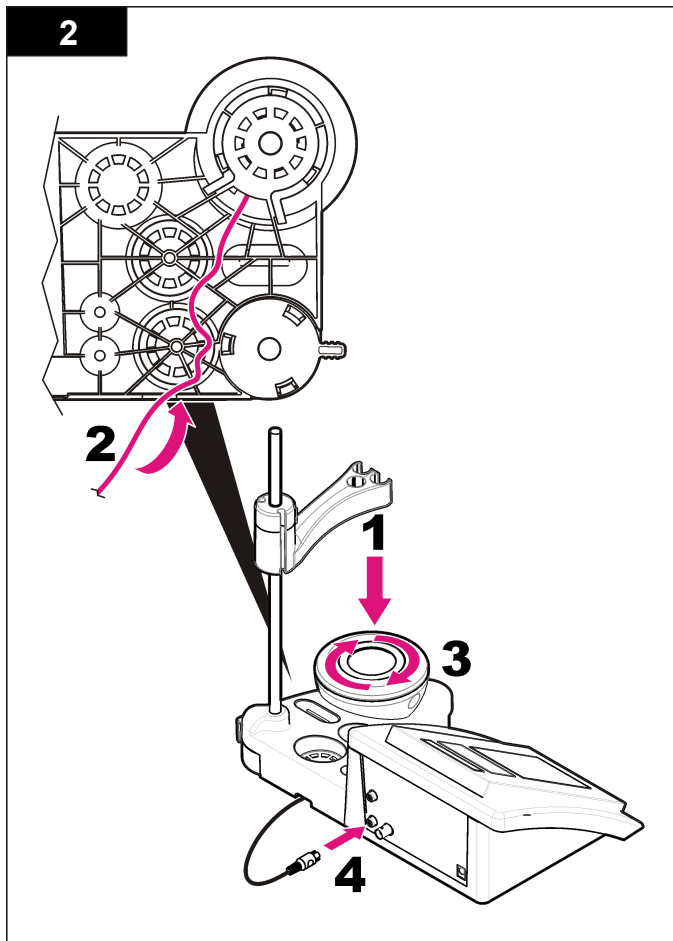
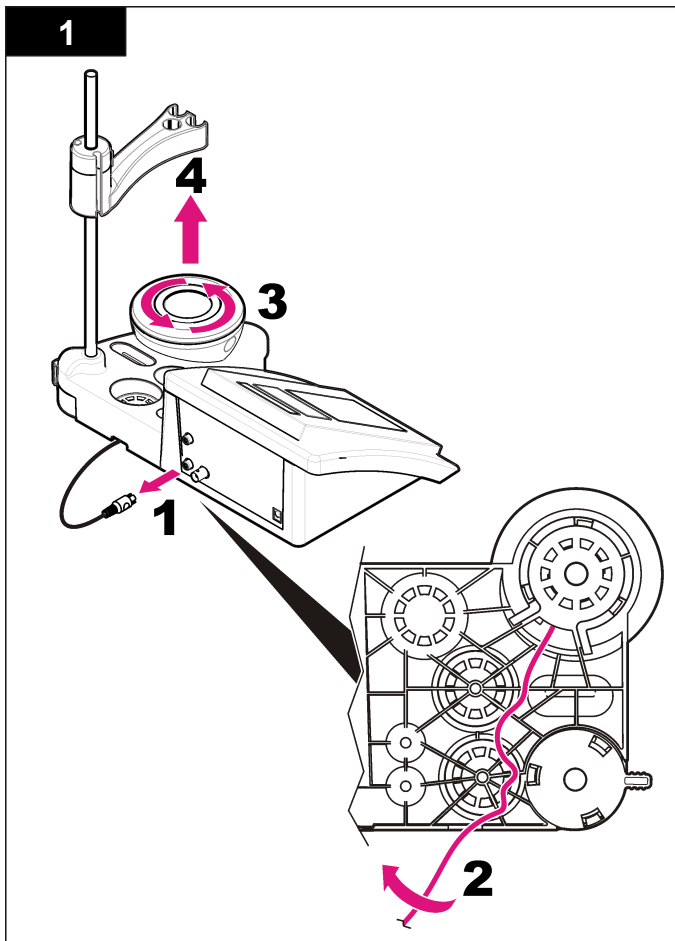
pH プローブの汚れを除去するには、表 1 に記載されている洗浄剤を使用してください。

表 1 pH プローブの洗浄剤

汚染物	洗浄剤
タンパク質	ペプシン洗浄液
グリース、オイル、脂質	電極洗浄液
石灰質	0.1 N HCl 溶液

スターラーの交換

スターラーが動作しない場合は、一連の手順に従い、スターラーを交換します。



トラブルシューティング

一般的な問題のメッセージまたは現象、起こり得る原因および修復アクションは次の表を参照してください。

表 2 校正の警告およびエラー

エラー/警告	対処方法
Asymmetry > 58 mV (非対称 > 58 mV)	スローブが範囲外です (許容範囲 ± 58 mV)。再度校正します。 新しいプローブを接続します。
Buffer or electrode in poor conditions. (緩衝液または電極の状態が良くありません)	再度校正します。 プローブを確認してください。プローブを洗浄します (詳細は、 プローブの洗浄 ページの 90 を参照)。電極膜付近に気泡がないことを確認します。温度計のように、プローブを揺ります。別のプローブを接続して、プローブまたは測定器のどちらに問題があるか確認します。
Sens. (a) < 70% (感度 (a) < 70%)	緩衝液を確認してください。使用している緩衝液が、設定で指定した緩衝液と一致することを確認します。設定内の温度指定を確認します。新しい緩衝液を使用します。
BUFFER NOT RECOGNIZED (緩衝液が認識されません)	
UNSTABLE READING (測定値が安定しません)	再度校正します。 プローブを確認してください。プローブを洗浄します (詳細は、 プローブの洗浄 ページの 90 を参照)。電極膜付近に気泡がないことを確認します。温度計のように、プローブを揺ります。別のプローブを接続して、プローブまたは測定器のどちらに問題があるか確認します。 電極膜が適切に試料に浸されていることを確認します。
Time \gg 100 s (時間 \gg 100 秒)	

表 2 校正の警告およびエラー (続き)

エラー/警告	対処方法
Electrode in poor conditions. (電極の状態が良くありません)	プローブを確認してください。プローブを洗浄します (詳細は、 プローブの洗浄 ページの 90 を参照)。電極膜付近に気泡がないことを確認します。温度計のように、プローブを揺ります。別のプローブを接続して、プローブまたは測定器のどちらに問題があるか確認します。
Check the electrode (電極を確認してください)	
SAME BUFFERS (同じ緩衝液です)	再度校正します。 プローブを確認してください。プローブを洗浄します (詳細は、 プローブの洗浄 ページの 90 を参照)。電極膜付近に気泡がないことを確認します。温度計のように、プローブを揺ります。別のプローブを接続して、プローブまたは測定器のどちらに問題があるか確認します。 緩衝液を確認してください。新しい緩衝液を使用します。

表 3 測定の警告およびエラー

エラー/警告	対処方法
pH 12.78 19°C	再度校正します。
pH out of range (pH)	プローブを確認してください。プローブを洗浄します (詳細は、 プローブの洗浄 ページの 90 を参照)。電極膜付近に気泡がないことを確認します。温度計のように、プローブを揺ります。別のプローブを接続して、プローブまたは測定器のどちらに問題があるか確認します。
Temp out of range °C (温度が範囲外です)	温度センサを確認します。 別のプローブを接続して、プローブまたは測定器のどちらに問題があるか確認します。

表 3 測定の警告およびエラー (続き)

エラー/警告	対処方法
Time > 60 s (時間 > 60 秒)	電極膜が適切に試料に浸されていることを確認します。 温度を確認します。 プローブを確認してください。プローブを洗浄します(詳細は、 プローブの洗浄 ページの 90を参照)。電極膜付近に気泡がないことを確認します。温度計のように、プローブを揺すります。別のプローブを接続して、プローブまたは測定器のどちらに問題があるか確認します。
Time > 150 s (時間 > 150 秒)	
Time > 300 s (時間 > 300 秒)	

交換パーツおよびアクセサリ

注: プロダクト番号とカタログ番号は、一部の販売地域では異なる場合があります。詳細は、取り扱い販売店にお問い合わせください。お問い合わせ先については、当社の [Web サイト](#) を参照してください。

交換パーツ

説明	アイテム番号
sensION+ PH3 ラボ pH 測定器、アクセサリ付属、プローブなし	LPV2000.97.0002
sensION+ PH31 ラボ pH 測定器、GLP、アクセサリ付属、プローブなし	LPV2100.97.0002
sensION+ MM340 ラボ pH & イオン測定器、GLP、2 チャネル、アクセサリ付属、プローブなし	LPV2200.97.0002
sensION+ EC7 ラボ導電率測定器、アクセサリ付属、プローブなし	LPV3010.97.0002
sensION+ EC71 ラボ導電率測定器、GLP、アクセサリ付属、プローブなし	LPV3110.97.0002
sensION+ MM374、2 チャネル・ラボ測定器、GLP、アクセサリ付属、プローブなし	LPV4110.97.0002

消耗品

説明	アイテム番号
pH 緩衝液 4.01、証明書付属、125 mL	LZW9460.99
pH 緩衝液 7.00、証明書付属、125 mL	LZW9461.97
pH 緩衝液 10.00、証明書付属、125 mL	LZW9470.99
pH 緩衝液 4.01、証明書付属、250 mL	LZW9463.99
pH 緩衝液 7.00、証明書付属、250 mL	LZW9464.97
pH 緩衝液 10.00、証明書付属、250 mL	LZW9471.99
pH 緩衝液 4.01、証明書付属、1000 mL	LZW9466.99
pH 緩衝液 7.00、証明書付属、1000 mL	LZW9467.97
pH 緩衝液 10.00、証明書付属、1000 mL	LZW9472.99
電解液 (KCl 3M)、125 mL	LZW9510.99
電解液 (KCl 3M)、250 mL	LZW9500.99
電解液 (KCl 3M)、50 mL	LZW9509.99
電解液 0.1 M、125 mL	LZW9901.99
酵素溶液	2964349
ペプシン洗浄液	2964349
電極洗浄液	2965249
0.1 N HCl 溶液	1481253
エタノール、95 % (グリース、オイル、脂質)	2378900

付属品

説明	アイテム番号
サーマル・プリンター、RS232、sensION+ ベンチトップ用	LZW8201.99
プリンター LZW8201 用感熱紙、5 ロール・セット	LZW9117.99
ドット・インパクト・プリンター、RS232、sensION+ 装置用	LZW8200.99
プリンター LZW8200 用普通紙、10 ロール・セット	LZW9000.99
プリンター LZW8200 用リボン、3 ユニット	LZW9001.99
LabCom Easy PC SW、sensION+ GLP 用、CD、ケーブル、USB アダプター	LZW8997.99
LabCom PC SW、sensION+ GLP 用、CD、ケーブル、USB アダプター	LZW8999.99
RS232 ケーブル、sensION+ ベンチトップ装置	LZW9135.99
sensION+ ベンチトップ用 RS232 ケーブル、USB アダプター付属	LZW9135USB.99
スターラー、センサ・ホルダー付属、sensION+ MM ベンチトップ用	LZW9319.99
ベンチトップ pH 校正用 3x50 mL ビーカー、プリントあり	LZW9110.97
3 センサ・ホルダー、sensION+ ベンチトップ装置用	LZW9321.99
3 センサ用ホルダーおよびクランプ	LZW9155.99
Pyrex ガラス・チャンバー、連続フロー測定	LZW9118.99
PP プロテクター、電極保管	LZW9161.99

表 4 pH 値、ORP (mV) 値および温度

温度		pH					mV
°C	°F						
0	32	2.01	4.01	7.12	9.52	10.30	—
10	50	2.01	4.00	7.06	9.38	10.17	245
20	68	2.00	4.00	7.02	9.26	10.06	228
25	77	2.00	4.01	7.00	9.21	10.01	220
30	86	2.00	4.01	6.99	9.16	9.96	212
40	104	2.00	4.03	6.97	9.06	9.88	195
50	122	2.00	4.06	6.97	8.99	9.82	178
60	140	2.00	4.10	6.98	8.93	9.76	160
70	158	2.01	4.16	7.00	8.88	—	—
80	176	2.01	4.22	7.04	8.83	—	—
90	194	2.01	4.30	7.09	8.79	—	—

標準溶液

技術緩衝液 (DIN 19267)

温度ごとの規定緩衝液セットの pH 値および ORP (mV) 値については、[表 4](#) を参照してください。

사양

사양은 사전 통보 없이 변경될 수 있습니다.

사양	세부 정보
치수	35 x 20 x 11cm(13.78 x 7.87 x 4.33in.)
무게	1100g(2.43lb)
계측기 외함	IP42
전원 요구 사항(외부)	100-240V, 0.4A, 47-63Hz
계측기 보호 등급	Class II
보관 온도	-15~+65°C(5~+149°F)
작동 온도	0~40°C(41~104°F)
작동 습도	< 80%(비응결)
분해능	pH: 0.1/0.01/0.001, ORP: 0.1/1mV, 온도: 0.1°C(0.18°F)
측정 오류(±1 자리)	pH: 0.002 이하, ORP: 0.2mV 이하, 온도: 0.2°C 이하(0.36°F 이하)
재현성(±1자리)	pH: ±0.001, ORP: ±0.1mV, 온도: ±0.1°C(±0.18°F)
데이터 저장	330개 결과 및 마지막 9개 교정
연결	결합 또는 표시기 프로브: BNC 커넥터(Imp. >10 ¹² Ω); 기준 전극: 바나나 커넥터; A.T.C. 타입 Pt 1000: 바나나 또는 전화 커넥터' 자기 교환기: RCA 커넥터 프린터 또는 PC용 RS232C: 전화 커넥터; 외부 PC 키보드: 미니 DIN 커넥터
온도 보정	수동, Pt 1000 온도 프로브(A.T.C.), NTC 10 kΩ 프로브 등전위 pH 프로그램 가능, 표준 값 7.00
측정 디스플레이 잠금	연속 측정, 안전성 및 시간 기준
디스플레이	액정, 백색, 128x64도트

사양	세부 정보
키보드	보호 처리 기능을 갖춘 PET
인증	CE

일반 정보

개정본은 제조업체 웹 사이트에서 확인할 수 있습니다.

안전 정보

장치 포장을 풀거나 설치하거나 작동하기 전에 본 설명서를 모두 읽으십시오. 모든 위험 및 주의사항 설명에 유의하시기 바랍니다. 이를 지키지 않으면 사용자가 중상을 입거나 장치가 손상될 수 있습니다.

본 장치의 보호 기능이 손상되지 않도록 본 설명서에서 설명하는 방법이 아닌 다른 방법으로 본 장치를 사용하거나 설치하지 마십시오.

위험 정보 표시

▲ 위험
방지하지 않을 경우 사망 또는 심각한 부상이 일어나는 잠재적 또는 즉각적 위험 상황을 의미합니다.



▲ 경고
피하지 않을 경우에 사망이나 심각한 부상을 유발할 수 있는 잠재적 위험이나 긴급한 위험 상황을 나타냅니다.

▲ 주의
경미하거나 심하지 않은 부상을 초래할 수 있는 잠재적으로 위험한 상황을 경고합니다.

주의사항
피하지 않으면 기기에 손상을 일으킬 수 있는 상황을 나타냅니다. 특별히 강조할 필요가 있는 정보.

주의 경고

본 장치에 부착된 표기들을 참조하시기 바랍니다. 표시된 지침을 따르지 않으면 부상이나 기기 손상이 발생할 수 있습니다. 기기에 표시되어 있는 심볼은, 매뉴얼의 위험 또는 주의사항 진술에 포함되어 있습니다.

	<p>본 심볼은 작동 및 안전 주의사항에 대한 지침서를 뜻합니다.</p>
	<p>본 심볼이 부착된 전자기기는 2005년 8월 12일 이후 유럽 공공 처리 시스템에 의해 처분되게 되어진다. 유럽 지역 및 국가 규정(EU 지침 2002/98/EC)에 따라 유럽 전기 장비 사용자는 구형 또는 수명이 끝난 장비를 제조업체에 무료 조건으로 반환하도록 합니다.</p> <p>참고: 재활용을 위해 제품을 반환하려는 경우, 장비 제조업자나 공급자에게 연락하여 수명이 끝난 장비, 제조업자가 제공한 전기 부속품 및 적합한 폐기를 위한 모든 부속 물품의 반환 방법에 대해 알아보시기 바랍니다.</p>

제품 소개

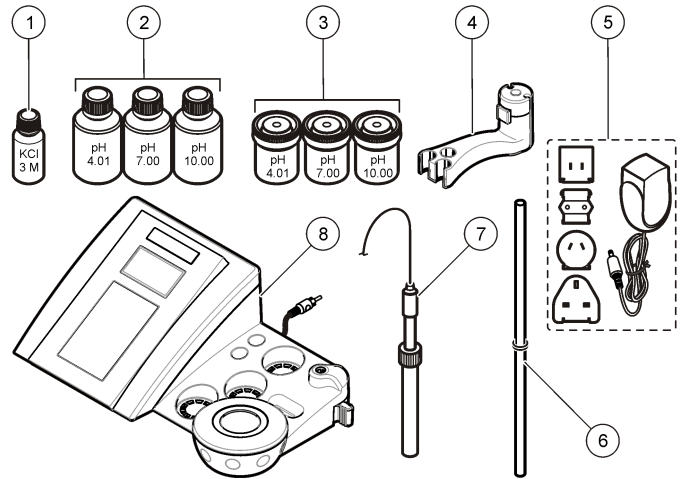
sensION™+ 계측기는 프로브와 함께 물 속에서 다양한 매개변수를 측정하는 데 사용됩니다.

sensION™+ PH31 계측기는 pH, ORP(mV) 또는 온도를 측정합니다. 측정 데이터는 프린터 또는 PC로 저장 및 전송할 수 있습니다.

제품 구성 요소

그림 1을 참조하여 모든 구성 요소를 받았는지 확인하십시오. 품목이 누락되었거나 손상된 경우에는 제조업체 또는 판매 담당자에게 즉시 연락하십시오.

그림 1 계측기 구성 요소

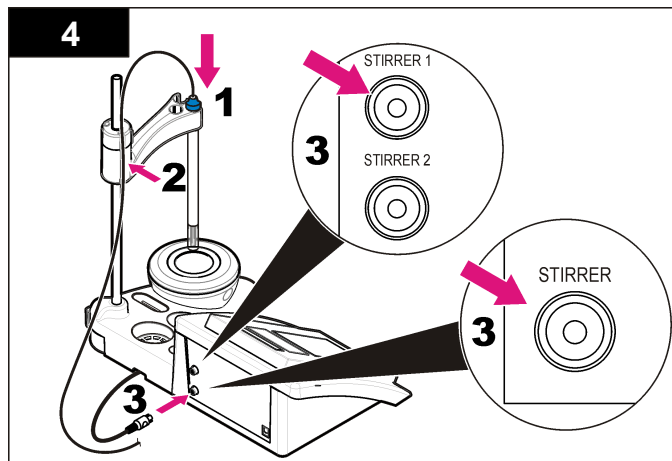
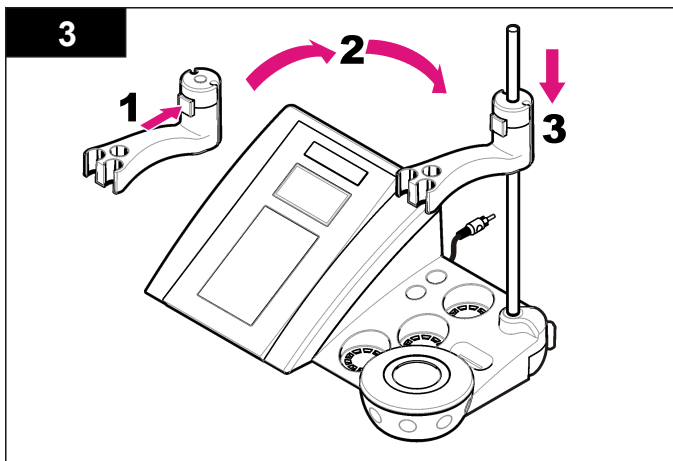
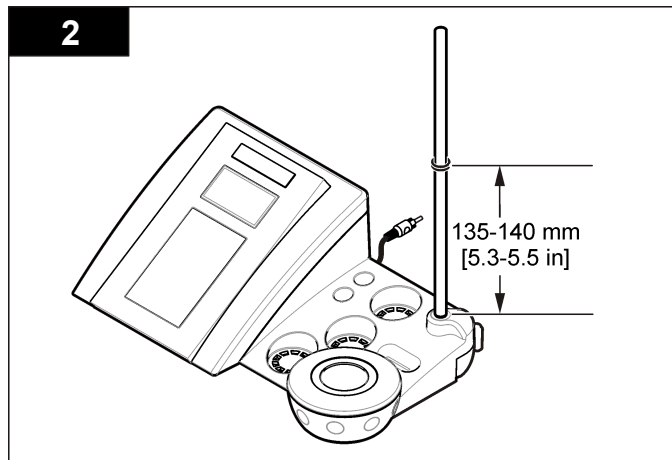
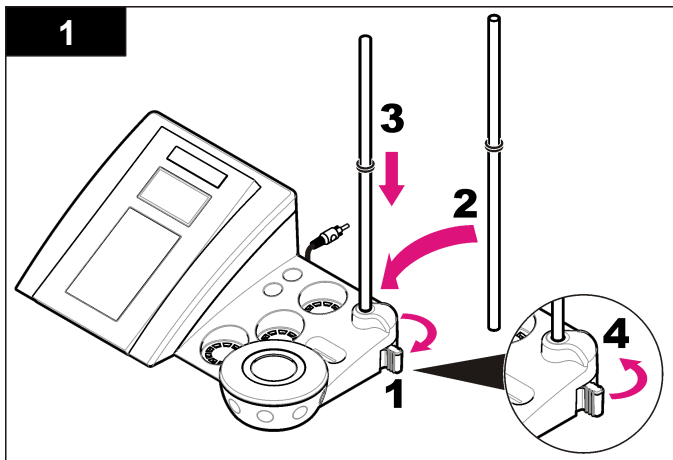


1 프로브용 전해질	5 전원공급장치
2 버퍼 용액(pH 4.01, pH 7.00 및 pH 10.00)	6 오링 막대
3 교정 비커(내부에 자기 막대 포함)	7 프로브(키트만 포함)
4 프로브 홀더	8 계측기

설치

프로브 홀더 조립

단계 번호에 따라 프로브 홀더를 조립하고 자기 교반기에 연결합니다.



AC 전원에 연결

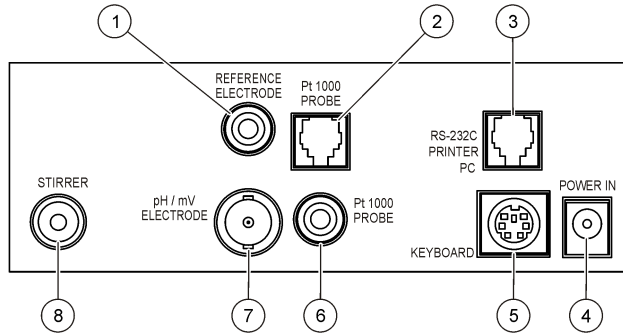
⚠ 위험

전기쇼크 위험 본 장치를 실외에서 사용하거나 젖을 수 있는 장소에서 사용하는 경우, 장치를 주전원에 연결할 때 접지 결합 회로 인터럽트 (GFCI/GFI) 장치를 사용해야 합니다.

범용 전원 어댑터를 사용하여 계측기를 AC 전원으로 가동할 수 있습니다.

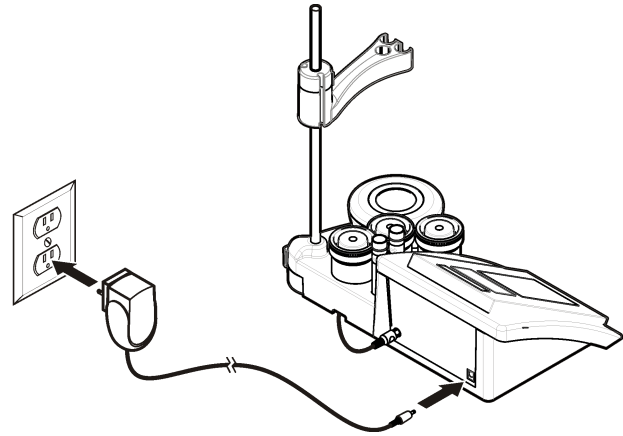
1. 어댑터 키트에서 전원 콘센트에 알맞은 어댑터 플러그를 선택합니다.
2. 범용 전원 어댑터를 계측기에 연결합니다(그림 2).
3. 범용 전원 어댑터를 AC 콘센트에 연결합니다(그림 3).
4. 계측기를 켭니다.

그림 2 커넥터 패널



1 기준 전극(분리된 전극) 커넥터	5 PC 키보드, 미니 DIN 커넥터
2 분리된 온도 프로브 커넥터	6 온도 프로브 커넥터
3 프린터 또는 PC 커넥터용 RS-232	7 결합 pH 전극(또는 표시기) 커넥터
4 전원공급장치	8 자기 교반 커넥터

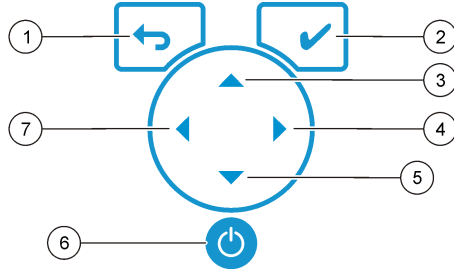
그림 3 AC 전원 연결



사용자 인터페이스 및 탐색

사용자 인터페이스

키패드 설명

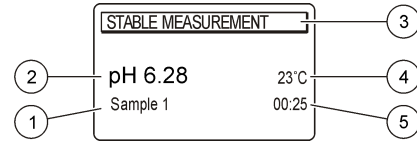


1 RETURN(반환) 키: 현재 메뉴 화면을 취소하거나 종료하여 이전 메뉴 화면으로 돌아갑니다.	5 DOWN(아래로) 키: 다른 옵션으로 스크롤하고 값을 변경합니다.
2 MEASUREMENT(측정) 키: 선택한 옵션을 확인합니다.	6 ON/OFF(켜기/끄기): 계측기를 켜고 끕니다.
3 UP(위로) 키: 다른 옵션으로 스크롤하고 값을 변경합니다.	7 LEFT(왼쪽) 키: 측정 단위를 변경하고 숫자 및 문자를 입력합니다.
4 RIGHT(오른쪽) 키: 측정 단위를 변경하고 숫자 및 문자를 입력합니다.	

디스플레이 설명

계측기 디스플레이에는 농도, 단위, 온도, 교정 상태, 작업자 ID, 샘플 ID, 날짜 및 시간이 표시됩니다.

그림 4 단일 화면 디스플레이



1 샘플 ID	4 샘플 온도(°C 또는 °F)
2 측정 단위 및 값(pH, ORP(mV))	5 비주얼 측정 타이머
3 측정 모드/시간 및 날짜	

탐색

이전 메뉴로 이동하려면 ← 키를 사용합니다. 측정 키 ✓를 사용하여 샘플을 측정하거나 옵션을 확인합니다. 화살표 키 ▲▼를 사용하여 다른 옵션으로 스크롤하거나 값을 변경합니다. 매개변수를 변경하려면 화살표 키 ◀ 및 ▶를 사용합니다. 특정 지침을 보려면 각 작업을 참조하십시오.

시작하기

계측기 켜기 및 끄기

주의사항

계측기를 켜기 전에 프로브가 계측기에 연결되어 있는지 확인합니다.

⏻ 키를 눌러 계측기를 켜고 끕니다. 계측기가 켜지지 않으면 AC 전원공급 장치가 전기 콘센트에 올바르게 연결되었는지 확인하십시오.

언어 변경

계측기 전원을 처음으로 켤 때 화면 언어를 선택합니다.

- ▲ 또는 ▼ 키를 사용하여 목록에서 언어를 선택합니다.
- ✓ 키를 눌러 확인합니다. 측정 화면에 DATA OUTPUT(데이터 출력)이 표시됩니다.
- 프린터 또는 PC가 연결되어 있지 않은 경우 Deactivated(비활성화)를 선택하고 확인합니다. Data Output(데이터 출력)에 대한 자세한 내용을 보려면 데이터 출력 선택 페이지의 102을 참조하십시오.

표준 작동

교정

⚠ 경고

화학물질에 노출될 위험이 있습니다. 실험실의 안전절차를 준수하고, 취급하는 화학 물질에 맞는 개인보호장비를 완전하게 착용하십시오. 안전 프로토콜에 대한 자세한 내용은 최신 물질안전보건자료(MSDS)를 참조하십시오.

교정 설정

교정 설정에는 Calibration type(교정 종류), Calibration frequency(교정 주기) 및 Display options(디스플레이 옵션)가 있습니다.

1. 메인 메뉴에서 ▲ 또는 ▼ 키를 사용하여 CALIBRATION(교정)을 선택하고 확인합니다.
2. ▲ 키를 사용하여 교정 메뉴를 입력합니다.
3. ▲ 또는 ▼ 키를 사용하여 다음의 옵션을 선택합니다.

옵션	설명
안정도 C.:	안정도 기준 - Fast(고속), Standard(표준) 또는 Strict(정밀) 중에서 선택합니다.
교정 종류	교정 종류 - Technical buffers(기술 버퍼), DIN19266 Buffers(DIN19266 버퍼), User Buffers(사용자 버퍼), To a X value(X 값으로 교정), Data Introduction(데이터 삽입) 또는 Theoretical calibration(이론적 교정) 중에서 선택합니다. 자세한 내용은 Calibration types 을 참조하십시오.
교정 주기	교정 알람 - 0-7일 사이의 값 중에서 설정할 수 있습니다(기본 값: 매일). 디스플레이에는 새로운 교정에 대해 남은 시간이 표시됩니다. 자세한 내용은 교정 알람 설정 페이지의 101을 참조하십시오.
mV 표시	mV 표시 - mV를 표시하려면 YES(예) 또는 NO(아니오)를 선택합니다.
표준 220mV	표준 220mV - 220mV 표준 용액으로 교정합니다.
X 값으로 교정	X 값으로 교정 - 특정 표준 용액을 사용합니다. 교정 중에 값을 조정합니다.

옵션	설명
데이터 삽입	데이터 삽입 보정 - 보정 값을 입력합니다.
출고 시 조정	출고 시 조정 - 보정 값을 입력합니다.

교정 종류

각기 다른 교정 종류를 선택할 수 있습니다.

1. 메인 메뉴에서 ▲ 또는 ▼ 키를 사용하여 CALIBRATION(교정)을 선택하고 확인합니다.
2. ▲ 키를 사용하여 교정 메뉴를 입력합니다.
3. ▲ 또는 ▼ 키를 사용하여 Calibration type(교정 종류)을 선택합니다.

옵션	설명
기술 버퍼	25°C(77°F)에서 pH 2.00, 4.01, 7.00, 9.21 및 10.90
DIN19266 버퍼	pH 1.679, 4.006, 6.865, 7.000, 9.180, 10.012 및 12.454
사용자 버퍼	기술 버퍼 또는 DIN19266 버퍼를 사용하지 않을 경우 선택합니다. 특정한 버퍼 세트의 pH 값을 다양한 온도에서 알아보려면 기술 버퍼 용액(DIN 19267) 페이지의 109를 참조하십시오.
X 값으로 교정	측정된 pH의 눈금 값을 수동으로 조정합니다.
데이터 삽입	수동 프로브 상수를 삽입합니다.
이론적 교정	프로브 교정 데이터는 25°C(77°F)에서 바뀝니다.

교정 절차

이 절차는 액체 교정 용액을 사용하는 일반적인 방법입니다. 자세한 내용은 각 프로브와 함께 제공되는 문서를 참조하십시오.

참고: 교정하는 동안 용액을 저어서 섞어야 합니다. 교반 설정에 대한 자세한 내용은 교반 설정 변경 페이지의 103 을 참조하십시오.

1. 버퍼 또는 교정 용액을 라벨이 있는 교정 비커에 따릅니다.
2. 메인 메뉴에서 ▲▼ 및 ◀▶ 키를 사용하여 CALIBRATION(교정) 매개변수를 선택하고 확인합니다.
3. 필요한 경우 작업자 ID(1-10)를 선택하고 확인합니다.

4. 프로브를 탈이온수로 행군 후 첫 번째 교정 비커에 넣습니다. 멤브레인에 기포가 생기지 않도록 하십시오.
5. ✓ 키를 눌러 교정을 시작합니다.
6. ✓ 키를 눌러 첫 번째 교정 용액을 측정합니다. 다음 번 교정 용액이 표시됩니다.
7. 프로브를 탈이온수로 행군 후 첫 번째 교정 비커에 넣습니다. 멤브레인에 기포가 생기지 않도록 하십시오.
8. ✓ 키를 눌러 두 번째 교정 용액을 측정합니다. 다음 번 교정 용액이 표시됩니다.
9. 프로브를 탈이온수로 행군 후 첫 번째 교정 비커에 넣습니다. 멤브레인에 기포가 생기지 않도록 하십시오.
10. ✓ 키를 눌러 세 번째 교정 용액을 측정합니다. 교정 상태가 좋으면 디스플레이에 잠시 동안 Calibration OK(교정 확인)가 표시된 후 메인 메뉴로 돌아갑니다.
참고: 프린터를 인쇄 메뉴에 연결된 상태에서 열면 결과를 인쇄할 수 있습니다.

교정 데이터 보기

최신 교정 데이터를 표시할 수 있습니다.

1. 메인 메뉴에서 ▲ 또는 ▼ 키를 사용하여 DATA LOGGER(데이터 기록 장치)를 선택하고 확인합니다.
2. Display data(데이터 표시)를 선택합니다.
3. Calibration data(교정 데이터)를 선택하고 ✓ 키를 눌러 확인합니다. 마지막 교정 데이터가 표시됩니다.
 - pH-슬로프 및 오프셋 값이 편차(%) 및 교정 온도와 번갈아 표시됩니다.
 - ORP-측정된 mV 값 및 교정 온도가 표시됩니다.
 - 전도도-각 표준에 대한 셀 상수 및 교정 온도가 표시됩니다.

교정 알람 설정

교정 알람은 0-23시간 또는 1-7일(기본값 0일) 사이에서 설정할 수 있습니다. 디스플레이에는 새로운 교정에 대해 남은 시간이 표시됩니다.

참고: 0 일을 선택하면 교정 알람이 꺼집니다.

1. 메인 메뉴에서 ▲ 또는 ▼ 키를 사용하여 CALIBRATION(교정)을 선택하고 확인합니다.

2. ▲ 키를 사용하여 교정 메뉴를 입력합니다.
3. ▲ 또는 ▼ 키를 사용하여 Cal. frequency(교정 주기)를 선택하고 확인합니다.
4. 다음 단계로 진행하려면 ◀ 및 ▶ 키를 사용하고 값을 변경하려면 ▲ 또는 ▼ 키를 사용하고 확인합니다.
✓ 키를 눌러 교정을 시작합니다.

샘플 측정

각 프로브에는 샘플 측정을 수행하기 위한 특정 준비 단계 및 절차가 있습니다.

1. 메인 메뉴에서 ▲/▼ 및 ◀▶ 키를 사용하여 MEASURE(측정)를 선택하고 확인합니다.
2. ▲ 키를 사용하여 다음 설정을 변경하고 모든 입력 사항을 확인합니다.

옵션	설명
해결 방법	1, 0.1, 0.01(기본값) 또는 0.001 중에서 분해능을 선택합니다.
측정	안정도 - 고속(변동 < 0.02pH(6초)), 표준(변동 < 0.01 pH(6초)) 또는 정밀(변동 < 0.002pH(6초)) 중에서 안정도 기준별로 선택합니다. 연속 - 연속 Acquis의 시간 간격을 입력합니다. 간격(데이터 저장 또는 인쇄 데이터), 시간별 - 데이터 저장 또는 인쇄 데이터의 시간 간격을 입력합니다.
mV 표시	mV 표시 - mV를 표시하려면 YES(예) 또는 NO(아니요)를 선택합니다.
한계	한계 - YES(예) 또는 NO(아니요)를 선택합니다. YES(예): 상한 및 하한을 입력합니다. 측정 한계를 벗어나면 음향 경고가 나타납니다. 측정 한계를 벗어나면 보고서 출력에서 측정된 값 옆에 A가 표시됩니다.
등전위	등전위 - 데이터 삽입에서 등전위 pH 값을 변경합니다. Calculate(계산)를 선택하여 프로브를 다시 교정합니다.

3. ✓ 키를 눌러 측정을 시작합니다.

참고: 측정이 120 초 후에 안정화되지 않으면 계측기가 연속 측정 모드로 자동으로 변경됩니다.

고급 작동

샘플 ID 사용

샘플 ID 태그를 사용하여 판독값을 특정 샘플 위치와 연결시킵니다. 할당된 경우, 저장 데이터에 이 ID가 포함됩니다.

1. 메인 메뉴에서 ▲ 또는 ▼ 키를 사용하여 **SYSTEM(시스템)**을 선택하고 확인합니다.
2. ▲ 또는 ▼ 키를 사용하여 **Sample ID(샘플 ID)**를 선택하고 확인합니다.
3. ▲ 또는 ▼ 키를 사용하여 선택합니다.

옵션 설명

자동 연속 번호가 모든 샘플에 자동으로 지정됩니다.

수동 측정 전에 샘플 ID 이름(최대 15자)을 입력하려면 키보드 또는 바코드 스캐너가 필요합니다.

데이터 출력 선택

데이터를 프린터 또는 PC로 저장하거나 전송할 수 있습니다.

1. 메인 메뉴에서 ▲ 또는 ▼ 키를 사용하여 **SYSTEM(시스템)**을 선택하고 확인합니다.
2. ▲ 또는 ▼ 키를 사용하여 **Data Output(데이터 출력)**을 선택하고 확인합니다.
3. ▲ 또는 ▼ 키를 사용하여 선택합니다.

옵션 설명

비활성화 프린터 또는 PC가 연결되어 있지 않은 경우 **Deactivated(비활성화)**를 선택합니다.

프린터용 도트 매트릭스 프린터 또는 열 프린터를 선택합니다.

컴퓨터용 열, ComLabo 또는 ComLabo Easy를 선택합니다. ComLabo 소프트웨어는 여러 모듈, pH 및 전도도 계측기, 자동 뷰렛, 시료기 등을 컴퓨터에서 제어합니다. ComLabo Easy 소프트웨어는 pH 및 전도도 데이터를 PC에서 가져옵니다.

날짜 및 시간 변경

날짜 및 시간은 **Date/Time(날짜/시간)** 메뉴에서 변경할 수 있습니다.

1. 메인 메뉴에서 ▲ 또는 ▼ 키를 사용하여 **SYSTEM(시스템)**을 선택하고 확인합니다.
2. ▲ 또는 ▼ 키를 사용하여 **Date/Time(날짜/시간)**을 선택하고 확인합니다.
3. 다음 단계로 진행하려면 ◀**▶**를 사용하고 값을 변경하려면 ▲ 또는 ▼를 사용하고 확인합니다.
현재 날짜와 시간이 디스플레이에 표시됩니다.

표시 대비 조정

1. 메인 메뉴에서 ▲ 또는 ▼ 키를 사용하여 **SYSTEM(시스템)**을 선택하고 확인합니다.
2. ▲ 또는 ▼ 키를 사용하여 **Display contrast(표시 대비)**를 선택하고 확인합니다.
3. ◀**▶** 키를 사용하여 표시 대비를 조정하고 확인합니다.

온도 조정

온도 측정값을 **25°C(77°F)** 및/또는 **85°C(185°F)**에서 조정하여 정확도를 향상시킬 수 있습니다.

1. 프로브 및 기준 온도계를 약 **25°C**의 물이 담긴 용기에 넣어 온도를 안정화시킵니다.
2. 계측기에서 판독한 온도를 기준 온도계의 온도와 비교합니다. 차이가 있는 경우 이 차이는 계측기에 대한 조정 값입니다.
예를 들어, 기준 온도계가 **24.5°C**이고 계측기가 **24.3°C**이면 조정 값은 **0.2°C**입니다.
3. **25°C**에서 판독한 조정 값 입력:
 - a. 메인 메뉴에서 ▲ 또는 ▼ 키를 사용하여 **SYSTEM(시스템)**을 선택하고 확인합니다.
 - b. ▲ 또는 ▼ 키를 사용하여 **Readjust temp(온도 재조정)**를 선택하고 확인합니다.
 - c. ▲ 또는 ▼ 키를 사용하여 **25°C**를 선택하고 확인합니다.
 - d. 화살표 키를 사용하여 **25°C**의 조정 값을 입력하고 확인합니다.

4. 프로브 및 기준 온도계를 약 85°C의 물이 담긴 용기에 넣어 온도를 안정화시킵니다.
5. 계측기의 온도를 기준 온도계의 온도와 비교합니다. 차이가 있는 경우 이 차이는 계측기에 대한 조정 값입니다.
 - a. ▲ 또는 ▼ 키를 사용하여 85°C를 선택하고 확인합니다.
 - b. 화살표 키를 사용하여 85°C의 조정 값을 입력하고 확인합니다.
 - c. Save changes(변경 저장)를 선택하고 확인합니다.

교반 설정 변경

자기 교반기를 켜 후 **Stirring**(교반) 메뉴에서 교반 속도를 변경할 수 있습니다.

1. 메인 메뉴에서 ▲ 또는 ▼ 키를 사용하여 **SYSTEM**(시스템)을 선택하고 확인합니다.
2. ▲ 또는 ▼ 키를 사용하여 **Stirring**(교반)을 선택하고 확인합니다.
3. 교반기를 켜거나 끄려면 키를 누릅니다.
4. 교반기를 켤 때 ▲ 또는 ▼ 키를 사용하여 교반 속도를 % 단위로 변경합니다.
참고: 교정 또는 측정 중에 ▲ 또는 ▼ 키를 사용하여 교반 속도를 변경합니다.

온도 단위 변경

온도 단위를 **Celsius**(섭씨) 또는 **Fahrenheit**(화씨)로 변경할 수 있습니다.

1. 메인 메뉴에서 ▲ 또는 ▼ 키를 사용하여 **SYSTEM**(시스템)을 선택하고 확인합니다.
2. ▲ 또는 ▼ 키를 사용하여 **Temperature unit**(온도 단위)을 선택하고 확인합니다.
3. ▲ 또는 ▼ 키를 사용하여 **Celsius**(섭씨) 또는 **Fahrenheit**(화씨) 중에서 선택하고 확인합니다.

데이터 로거

데이터 표시

Display data(데이터 표시) 로그에는 측정 데이터, 전극 보고서 및 교정 데이터가 포함되어 있습니다. 저장된 데이터는 프린터 또는 PC로 보낼 수 있

습니다. 데이터 로그가 꽉 차면(400개의 데이터 지점) 새 데이터 지점이 추가될 때 가장 오래된 데이터 지점이 삭제됩니다.

1. 메인 메뉴에서 ▲ 또는 ▼ 키를 사용하여 **SYSTEM**(시스템)을 선택하고 확인합니다.
2. ▲ 또는 ▼ 키를 사용하여 **DATA LOGGER**(데이터 기록 장치)를 선택하고 확인합니다.
3. ▲ 또는 ▼ 키를 사용하여 **Display data**(데이터 표시)를 선택하고 확인합니다.
4. ▲ 또는 ▼ 키를 사용하여 선택합니다.

옵션	설명
측정 데이터	측정 데이터 - 샘플을 측정할 때마다 자동으로 저장
전극 보고서	전극 보고서 - 전극 내역 및 측정 조건을 자동으로 저장
교정 데이터	교정 데이터 - 현재 교정을 자동으로 저장

데이터 삭제

전체 측정 데이터 또는 전극 보고서 로그를 삭제하여 이미 프린터 또는 PC로 전송된 데이터를 제거할 수 있습니다.

1. 메인 메뉴에서 ▲ 또는 ▼ 키를 사용하여 **SYSTEM**(시스템)을 선택하고 확인합니다.
2. ▲ 또는 ▼ 키를 사용하여 **DATA LOGGER**(데이터 기록 장치)를 선택하고 확인합니다.
3. ▲ 또는 ▼ 키를 사용하여 **Erase**(지우기)를 선택하고 확인합니다.
4. ▲ 또는 ▼ 키를 사용하여 **Measurement data**(측정 데이터) 또는 **Electrode report**(전극 보고서)를 선택하고 확인합니다. 데이터를 삭제하려면 다시 확인합니다.
전체 로그를 한 번에 삭제합니다.

데이터를 프린터 또는 컴퓨터로 전송

주의사항

데이터 출력(프린터 또는 PC)을 먼저 선택해야 하므로 **Print**(인쇄) 메뉴를 사용할 수 있습니다(데이터 출력 선택 페이지의 102 참조).

참고: 보고서 출력 종류를 선택하려면 **보고서 출력 페이지의 104** 을 참조하십시오.

1. 메인 메뉴에서 ▲ 또는 ▼ 키를 사용하여 **SYSTEM(시스템)**을 선택하고 확인합니다.
2. ▲ 또는 ▼ 키를 사용하여 **DATA LOGGER(데이터 기록 장치)**를 선택하고 확인합니다.
3. ▲ 또는 ▼ 키를 사용하여 **Print(인쇄)**를 선택하고 확인합니다. 다음 옵션 중 하나를 선택하고 **✓** 키를 눌러 확인하여 데이터(측정 데이터, 전극 데이터, 교정 데이터, 교정 보고서 또는 기기 조건)를 인쇄합니다.

보고서 출력

주의사항

Type of report(보고서 유형) 메뉴를 사용하려면 먼저 데이터 출력(프린터 또는 PC)을 선택해야 합니다(데이터 출력 선택 페이지의 102 참조).

프린터 또는 PC가 연결되어 있으면 서로 다른 보고서 출력 유형을 선택할 수 있습니다.

1. 메인 메뉴에서 ▲ 또는 ▼ 키를 사용하여 **SYSTEM(시스템)**을 선택하고 확인합니다.
2. ▲ 또는 ▼ 키를 사용하여 **Type of report(보고서 유형)**를 선택하고 확인합니다.
3. 프린터/컴퓨터 및 단자가 연결되어 있으면 ▲ 또는 ▼ 키를 사용하여 선택합니다.

옵션 설명

축소 하나 또는 여러 개의 샘플을 출력 형식으로 선택합니다.

표준 하나 또는 여러 개의 샘플을 출력 형식으로 선택합니다. 여러 개 선택: **사용자:** 사용자 이름(17자)이 인쇄 보고서에 나타납니다. **머리글:** 회사 이름(40자)이 머리글로 추가되어 인쇄 보고서에 나타납니다. **센서 식별:** 센서 모델 및 센서 일련 번호가 추가되어 인쇄 보고서에 나타납니다.

GLP 하나 또는 여러 개의 샘플을 출력 형식으로 선택합니다. 여러 개 선택: **사용자:** 사용자 이름(17자)이 인쇄 보고서에 나타납니다. **머리글:** 회사 이름(40자)이 머리글로 추가되어 인쇄 보고서에 나타납니다. **센서 식별:** 센서 모델 및 센서 일련 번호가 추가되어 인쇄 보고서에 나타납니다.

4. 컴퓨터가 연결되고 **ComLabo Easy(자세한 내용 참조)**를 선택한 경우 ▲ 또는 ▼ 키를 사용하여 선택합니다.

옵션 설명

사용자 사용자 이름(17자)이 인쇄 보고서에 나타납니다.

센서 식별 센서 모델 및 센서 일련 번호를 추가할 수 있으며 인쇄 보고서에 이 일련 번호가 나타납니다.

유지관리

경고

여러 가지 위험이 존재합니다. 유지관리를 위해 기기를 해제하지 마십시오. 내부 구성 부분을 세척 또는 수리해야 하는 경우에는 제조업체에 연락하십시오.

주의

신체 부상 위험. 해당 전문요원이 지침서에 의거하여 다룹니다.

기기 세척

주의사항

디스플레이 및 액세서리가 포함된 기기를 청소할 때 테레빈, 아세톤 또는 유사한 성질의 세정제를 사용하지 마십시오.

젖은 천과 부드러운 비눗액을 사용하여 기기 외부를 닦아냅니다.

프로브 세정

필요에 따라 프로브를 세정합니다. 세정에 대한 자세한 내용은 **문제 해결** 페이지의 107을 참조하십시오. 프로브 유지관리에 대한 자세한 내용은 프로브 설명서를 참조하십시오.

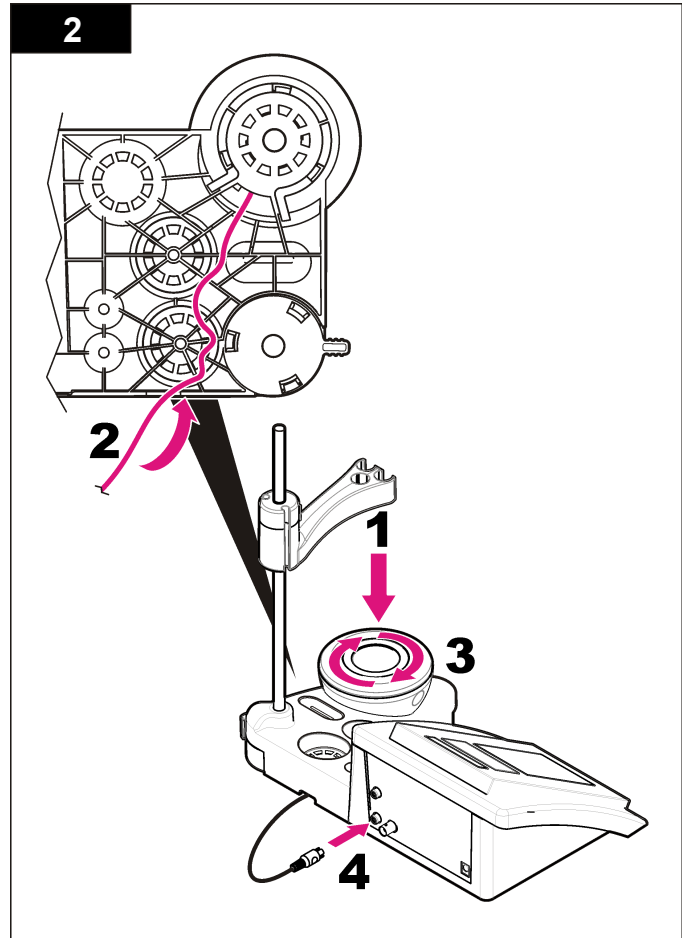
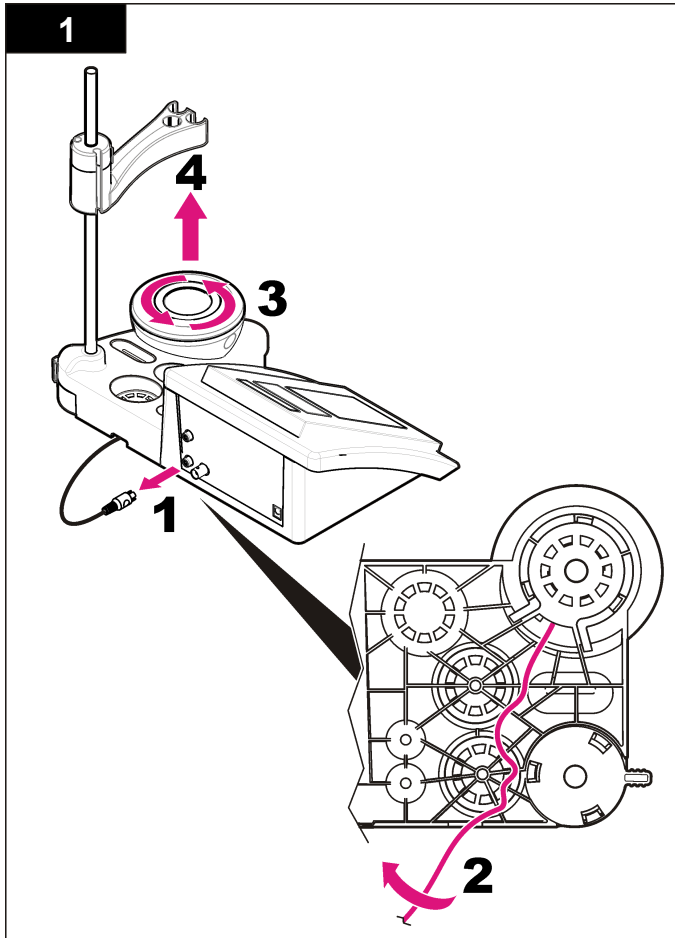
pH 프로브가 오염된 경우 **표 1**에 나열된 세정제를 사용하여 세정하십시오.

표 1 pH 프로브 세정제

오염	세정제
단백질	펩신 세척액
유지, 기름, 지방	전극 세척액
석회	0.1 N HCl 용액

자기 교반기 교체

자기 교반기가 시작되지 않은 경우 단계 순서에 따라 자기 교반기를 교체합니다.



문제 해결

아래 표에서 일반적 문제 메시지나 증상, 가능한 원인 및 해결 조치를 참조하십시오.

표 2 교정 경고 및 오류

오류/경고	분해능
비대칭 > 58 mV	경사도 범위를 벗어납니다(허용 값: ±58mV). 다시 교정합니다. 새 프로브를 연결합니다.
버퍼 또는 전극의 상태가 좋지 않습니다.	다시 교정합니다. 프로브 검사: 프로브를 세정(자세한 내용은 프로브 세정 페이지의 104 참조)하고 멤브레인에 기포가 생기지 않는지 확인합니다. 프로브를 온도계처럼 흔들고 다른 프로브를 연결하여 프로브 또는 계측기에 문제가 있는지를 확인합니다.
민감도 (a) < 70%	버퍼 용액 검사: 사용된 버퍼가 구성 중 지정한 버퍼와 일치하는지 확인합니다. 구성 중 온도 사양을 확인한 후 새 버퍼 용액을 사용합니다.
버퍼가 인식되지 않음	
불안정한 판독값 시간 > 100 초	다시 교정합니다. 프로브 검사: 프로브를 세정(자세한 내용은 프로브 세정 페이지의 104 참조)하고 멤브레인에 기포가 생기지 않는지 확인합니다. 프로브를 온도계처럼 흔들고 다른 프로브를 연결하여 프로브 또는 계측기에 문제가 있는지를 확인합니다. 샘플에 멤브레인과 다이어프램이 제대로 담겨 있는지 확인합니다.
전극 상태가 좋지 않습니다.	프로브 검사: 프로브를 세정(자세한 내용은 프로브 세정 페이지의 104 참조)하고 멤브레인에 기포가 생기지 않는지 확인합니다. 프로브를 온도계처럼 흔들고 다른 프로브를 연결하여 프로브 또는 계측기에 문제가 있는지를 확인합니다.
전극 검사	
같은 버퍼	다시 교정합니다. 프로브 검사: 프로브를 세정(자세한 내용은 프로브 세정 페이지의 104 참조)하고 멤브레인에 기포가 생기지 않는지 확인합니다. 프로브를 온도계처럼 흔들고 다른 프로브를 연결하여 프로브 또는 계측기에 문제가 있는지를 확인합니다. 버퍼 용액 검사: 새 버퍼 용액을 사용합니다.

표 3 측정 경고 및 오류

오류/경고	분해능
pH 12.78 19°C	다시 교정
pH 범위를 벗어남	프로브 검사: 프로브를 세정(자세한 내용은 프로브 세정 페이지의 104 참조)하고 멤브레인에 기포가 생기지 않는지 확인합니다. 프로브를 온도계처럼 흔들고 다른 프로브를 연결하여 프로브 또는 계측기에 문제가 있는지를 확인합니다.
온도 범위를 벗어남 (°C)	온도 센서를 검사합니다. 다른 프로브를 연결하여 프로브 또는 계측기에 문제가 있는지를 확인합니다.
시간 > 60 초	샘플에 멤브레인과 다이어프램이 제대로 담겨 있는지 확인합니다. 온도를 검사합니다.
시간 > 150 초	프로브 검사: 프로브를 세정(자세한 내용은 프로브 세정 페이지의 104 참조)하고 멤브레인에 기포가 생기지 않는지 확인합니다. 프로브를 온도계처럼 흔들고 다른 프로브를 연결하여 프로브 또는 계측기에 문제가 있는지를 확인합니다.
시간 > 300 초	

교체 부품 및 부속품

참고: 일부 판매 지역의 경우 제품 및 문서 번호가 다를 수 있습니다. 연락처 정보는 해당 대리점에 문의하거나 본사 웹사이트를 참조하십시오.

교체 부품

기술	품목 번호
senSION+ PH3 실험실 pH 계측기(부속품 포함, 프로브 없음)	LPV2000.97.0002
senSION+ PH31 실험실 pH 계측기, GLP(부속품 포함, 프로브 없음)	LPV2100.97.0002
senSION+ MM340 실험실 pH & 이온 계측기, GLP, 2개 채널(부속품 포함, 프로브 없음)	LPV2200.97.0002
senSION+ EC7 실험실 전도도 계측기(부속품 포함, 프로브 없음)	LPV3010.97.0002

교체 부품 및 부속품 (계속)

기술	품목 번호
sensION+ EC71 실험실 전도도 계측기, GLP(부속품 포함, 프로브 없음)	LPV3110.97.0002
sensION+ MM374, 2 채널 실험실 계측기, GLP(부속품 포함, 프로브 없음)	LPV4110.97.0002

소모품

설명	품목 번호
pH 버퍼 용액 4.01(인증 포함), 125mL	LZW9460.99
pH 버퍼 용액 7.00(인증 포함), 125mL	LZW9461.97
pH 버퍼 용액 10.00(인증 포함), 125mL	LZW9470.99
pH 버퍼 용액 4.01(인증 포함), 250mL	LZW9463.99
pH 버퍼 용액 7.00(인증 포함), 250mL	LZW9464.97
pH 버퍼 용액 10.00(인증 포함), 250mL	LZW9471.99
pH 버퍼 용액 4.01(인증 포함), 1000mL	LZW9466.99
pH 버퍼 용액 7.00(인증 포함), 1000mL	LZW9467.97
pH 버퍼 용액 10.00(인증 포함), 1000mL	LZW9472.99
전해질 용액(KCl 3M), 125mL	LZW9510.99
전해질 용액(KCl 3M), 250mL	LZW9500.99
전해질 용액(KCl 3M), 50mL	LZW9509.99
전해질 용액 0.1M, 125mL	LZW9901.99
효소 용액	2964349
펩신 세척액	2964349
전극 세척액	2965249

교체 부품 및 부속품 (계속)

설명	품목 번호
0.1 N HCl 용액	1481253
에탄올, 95%(유지, 기름, 지방)	2378900

부속품

기술	품목 번호
열 프린터, RS232, sensION+ 벤치톱용	LZW8201.99
프린터 LZW8201용 감열지, 5개의 롤이 있는 가방	LZW9117.99
도트 임팩트 프린터, RS232, sensION+ 기기용	LZW8200.99
프린터 LZW8200용 표준 용지, 10개의 롤이 있는 가방	LZW9000.99
프린터 LZW8200용 리본, 3개 단위	LZW9001.99
LabCom Easy PC SW, sensION+ GLP, CD, 케이블, USB 어댑터용	LZW8997.99
LabCom PC SW, sensION+ GLP, CD, 케이블, USB 어댑터용	LZW8999.99
RS232 케이블, sensION+ 벤치톱 기기용	LZW9135.99
sensION+ 벤치톱용 RS232 케이블, USB 어댑터용	LZW9135USB.99
센서 홀더가 있는 자기 교환기, sensION+ MM 벤치톱용	LZW9319.99
3x50mL 인쇄된 비커, 벤치톱 pH 교정용	LZW9110.97
3개의 센서용 홀더, sensION+ 벤치톱 기기용	LZW9321.99
홀더 및 클램프, 3개의 센서용	LZW9155.99
파이렉스 유리 챔버, 연속 흐름 측정	LZW9118.99
PP 보호기, 전극 보관	LZW9161.99

표준 용액

기술 버퍼 용액(DIN 19267)

특정한 버퍼 세트의 pH 및 ORP(mV) 값을 다양한 온도에서 알아보려면 표 4을 참조하십시오.

표 4 pH, ORP(mV) 및 온도 값

온도		pH					mV
°C	°F						
0	32	2.01	4.01	7.12	9.52	10.30	—
10	50	2.01	4.00	7.06	9.38	10.17	245
20	68	2.00	4.00	7.02	9.26	10.06	228
25	77	2.00	4.01	7.00	9.21	10.01	220
30	86	2.00	4.01	6.99	9.16	9.96	212
40	104	2.00	4.03	6.97	9.06	9.88	195
50	122	2.00	4.06	6.97	8.99	9.82	178
60	140	2.00	4.10	6.98	8.93	9.76	160
70	158	2.01	4.16	7.00	8.88	—	—
80	176	2.01	4.22	7.04	8.83	—	—
90	194	2.01	4.30	7.09	8.79	—	—

รายละเอียดทางเทคนิค

รายละเอียดทางเทคนิคอาจมีการเปลี่ยนแปลงโดยไม่ต้องแจ้งให้ทราบล่วงหน้า

รายละเอียดทางเทคนิค	รายละเอียด
ขนาด	35 x 20 x 11 ซม. (13.78 x 7.87 x 4.33 นิ้ว)
น้ำหนัก	1100 กรัม (2.43 ปอนด์)
มาตรฐาน IP	IP42
แหล่งพลังงาน	100–240 V, 0.4 A, 47-63 Hz
ระดับการป้องกันตัวเครื่อง	คลาส II
อุณหภูมิการจัดเก็บ	-15 ถึง +65 °C (5 ถึง +149 °F)
อุณหภูมิการทำงาน	0 ถึง 40 °C(41 ถึง 104 °F)
ความชื้นในการทำงาน	< 80% (ไม่ควบแน่น)
ความละเอียด	pH: 0.1/0.01/0.001, ORP: 0.1/1 mV, อุณหภูมิ: 0.1 °C (0.18 °F)
ค่าความแม่นยำในการตรวจวัด (± 1 หน่วย)	pH: ≤ 0.002, ORP: ≤ 0.2 mV, อุณหภูมิ: ≤ 0.2 °C (≤ 0.36 °F)
อัตราการทำซ้ำ (± 1 หน่วย)	pH: ± 0.001, ORP: ± 0.1 mV, อุณหภูมิ: ± 0.1 °C (± 0.18 °F)
การจัดเก็บข้อมูล	330 ผลลัพธ์ และการปรับเทียบ 9 ครั้งล่าสุด
การเชื่อมต่อ	โทรมแสดงสถานะหรือแบบผสม: ตัวเชื่อมต่อ BNC (Imp. >10 ¹² Ω); อิเล็กโทรดอ้างอิง: ตัวเชื่อมต่อบานานา; A.T.C. ชนิด Pt 1000: ตัวเชื่อมต่อบานานาหรือเทลโฟนิค; อุปกรณ์แม่เหล็กกวนสาร: ตัวเชื่อมต่อ RCA RS232C สำหรับเครื่องพิมพ์หรือคอมพิวเตอร์: ตัวเชื่อมต่อเทลโฟนิค; เป็นที่ทนภายนอกของคอมพิวเตอร์: ตัวเชื่อมต่อมินิ DIN
การปรับอุณหภูมิ	แมนนวล, โพรบวัดอุณหภูมิ Pt 1000 (A.T.C.), โพรบ NTC 10 kΩ สามารถตั้งโปรแกรม pH ระดับแรงดันน้ำได้, ค่ามาตรฐาน 700
การเลือกการแสดงผลการวัด	ทำการวัดอย่างต่อเนื่อง, แบบเสถียรและแบบช่วงเวลา

รายละเอียดทางเทคนิค	รายละเอียด
จอแสดงผล	ลิกวิดคริสตัล, ไฟพื้นหลัง, 128 x 64 คอท
เป็นพิมพ์	PET พร้อมสารเคลือบป้องกัน
การรับรอง	CE

ข้อมูลทั่วไป

ข้อมูลฉบับแก้ไขจะมีจัดไว้ให้ในเว็บไซต์ของผู้ผลิต

ข้อมูลเพื่อความปลอดภัย

กรุณาอ่านคู่มือฉบับนี้โดยละเอียดก่อนเปิดกล่อง คิดตั้งหรือใช้งานอุปกรณ์นี้ ศึกษาอันตรายและข้อควรระวังต่าง ๆ ที่แจ้งให้ทราบให้ครบถ้วน หากไม่ปฏิบัติตามอาจทำให้เกิดการบาดเจ็บร้ายแรงต่อผู้ใช้หรือเกิดความเสียหายต่ออุปกรณ์



ตรวจสอบว่าชิ้นส่วนป้องกันของอุปกรณ์ไม่มีความเสียหาย ห้ามใช้หรือติดตั้งอุปกรณ์ในลักษณะอื่นใดนอกจากที่ระบุไว้ในคู่มือนี้

การใช้ข้อมูลแจ้งเตือนเกี่ยวกับอันตราย

 อันตราย
ระบุอันตรายที่อาจเกิดขึ้น ซึ่งหากไม่หลีกเลี่ยง อาจทำให้เสียชีวิตหรือได้รับบาดเจ็บร้ายแรงได้
 คำเตือน
ระบุอันตรายที่อาจเกิดขึ้น ซึ่งหากไม่หลีกเลี่ยง อาจทำให้เสียชีวิตหรือได้รับบาดเจ็บร้ายแรงได้
 ข้อควรระวัง
ระบุอันตรายที่อาจเกิดขึ้นซึ่งอาจทำให้เกิดการบาดเจ็บเล็กน้อยถึงปานกลาง
หมายเหตุ
ข้อควรทราบระบุณืที่หากไม่หลีกเลี่ยง อาจทำให้อุปกรณ์ได้รับความเสียหายได้ ข้อมูลที่ต้องการเน้นย้ำเป็นพิเศษ

ฉลากระบุข้อควรระวัง

อ่านฉลากและป้ายระบุทั้งหมดที่จัดมาพร้อมกับอุปกรณ์ อาจเกิดการบาดเจ็บหรือความเสียหายต่ออุปกรณ์หากไม่ปฏิบัติตาม สัญลักษณ์นี้จะมีแจ้งไว้ในข้อมูลแจ้งอันตรายและข้อควรระวังในคู่มือ หากไม่มีระบุไว้ที่ตัวอุปกรณ์

	<p>หากปรากฏสัญลักษณ์นี้ที่ตัวอุปกรณ์ กรุณาดูรายละเอียดจากคู่มือการใช้งานและ/หรือข้อมูลเพื่อความปลอดภัย</p>
	<p>อุปกรณ์อิเล็กทรอนิกส์ที่มีเครื่องหมายนี้ไม่สามารถทิ้งแบบขยะปกติในเขตยุโรป ตามหลักเกณฑ์ที่ประกาศใช้หลังจากวันที่ 12 สิงหาคม 2005 หากไม่ปฏิบัติตามข้อบังคับในเขตยุโรปหรือในพื้นที่ (EU Directive 2002/98/EC) ผู้ใช้อุปกรณ์ไฟฟ้าในยุโรปจะต้องส่งคืนผลิตภัณฑ์เก่าหรือที่หมดอายุการใช้งานแล้วให้แก่ผู้ผลิตเพื่อกำจัดตามความเหมาะสม ผู้ใช้ไม่จำเป็นต้องเสียค่าใช้จ่ายใด ๆ</p> <p>บันทึก: ในการส่งคืนเพื่อรีไซเคิล กรุณาติดต่อผู้ผลิตอุปกรณ์หรือซัพพลายเออร์เพื่อรับทราบคำแนะนำในการส่งคืนอุปกรณ์ที่หมดอายุ อุปกรณ์ไฟฟ้าที่ผู้ผลิตจัดหาให้ หรืออุปกรณ์เสริมใด ๆ เพื่อให้มีการกำจัดอย่างถูกวิธี</p>

ภาพรวมผลิตภัณฑ์

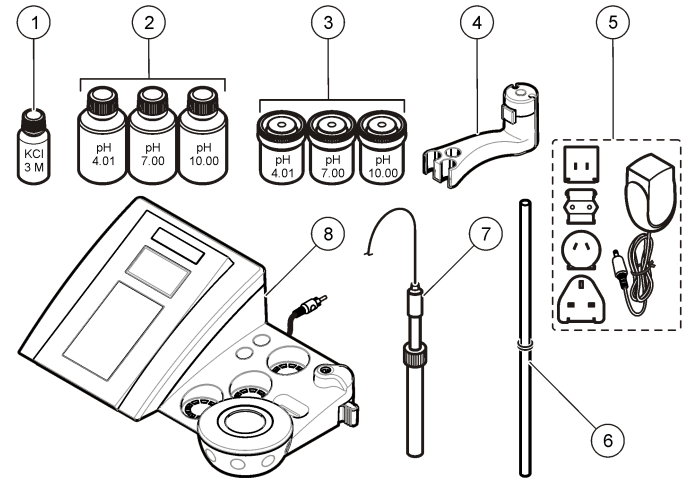
มิเตอร์ sensION™+ มีไว้เพื่อใช้งานร่วมกับโพรบในการตรวจวัดพารามิเตอร์ต่างๆ ในน้ำ

มิเตอร์ sensION™+ PH31 สำหรับตรวจวัดค่า pH, ORP (mV) หรืออุณหภูมิ สามารถจัดเก็บข้อมูลการตรวจวัด และถ่ายโอนไปยังเครื่องพิมพ์หรือคอมพิวเตอร์ได้

ส่วนประกอบของผลิตภัณฑ์

โปรดดูที่ **รูปที่ 1** เพื่อตรวจสอบให้แน่ใจว่าคุณได้รับครบทุกชิ้นส่วนของผลิตภัณฑ์ หากพบว่าชิ้นส่วนใดสูญหายหรือชำรุด โปรดติดต่อผู้ผลิตหรือพนักงานขายทันที

รูปที่ 1 ส่วนประกอบของมิเตอร์

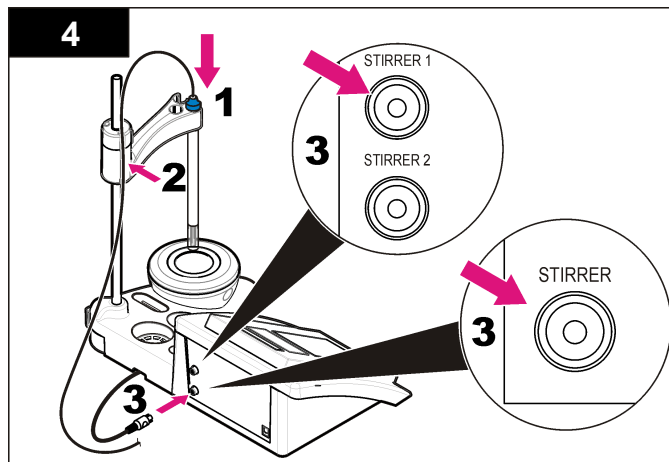
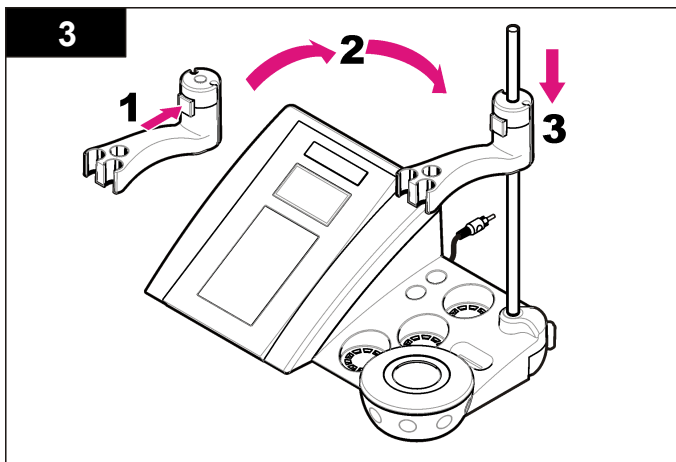
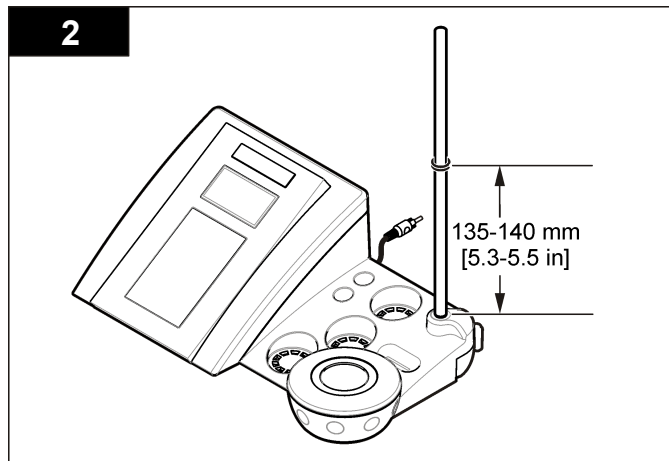
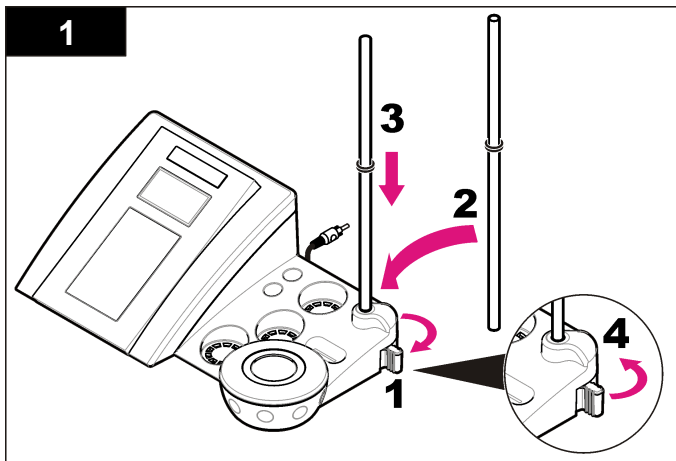


1 อิเล็กโทรไลต์สำหรับโพรบ	5 พาวเวอร์ซัพพลาย
2 น้ำยาบัฟเฟอร์ (pH 4.01, pH 7.00 และ pH 10.00)	6 รีดคอร์ดไอ-ริง
3 บีกเกอร์ปรับเทียบ (พร้อมแท่งแม่เหล็กด้านใน)	7 โพรบ (รวมอยู่ในชุดเท่านั้น)
4 แท่นฮิลโพรบ	8 มิเตอร์

การติดตั้ง

การประกอบแท่นฮิลโพรบ

ทำตามขั้นตอนต่อไปนี้ในการประกอบแท่นฮิลโพรบและเชื่อมต่ออุปกรณ์แม่เหล็กกวนสาร



การต่อไฟ AC

⚠️ อันตราย

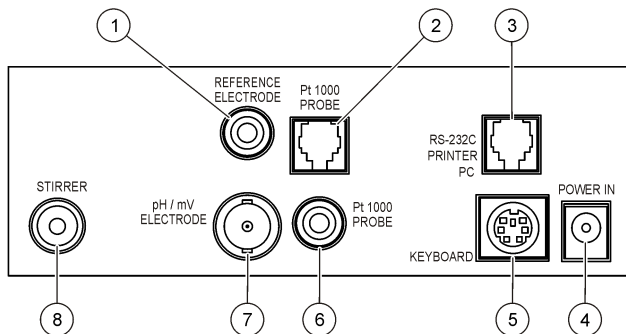


อันตรายจากไฟฟ้าช็อต หากใช้อุปกรณ์นี้กลางแจ้งหรือในที่ที่อาจมีความเปียกชื้น จะต้องเชื่อมต่ออุปกรณ์เข้ากับแหล่งพลังงานหลัก โดยใช้เครื่องตัดวงจรไฟฟ้าเมื่อกระแสรั่วลงดิน (Ground Fault Circuit Interrupt - GFCI/GFI)

มีเตอร์สามารถต่อกับไฟ AC ได้ โดยใช้ชุดอะแดปเตอร์ไฟอนเนกประสงค์ AC

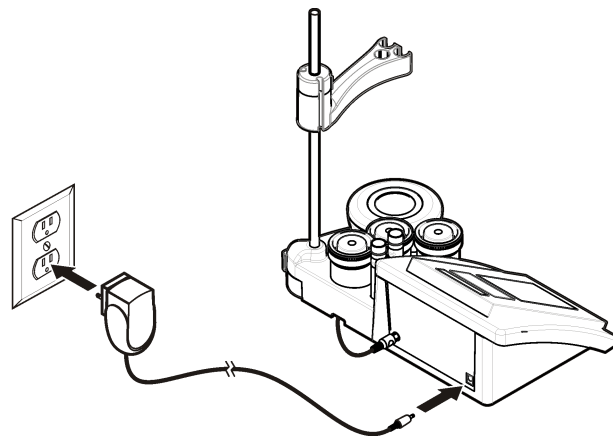
1. เลือกปลั๊กอะแดปเตอร์ที่ถูกต้องสำหรับเค้บ์รับจากชุดอะแดปเตอร์
2. เชื่อมต่ออะแดปเตอร์ไฟอนเนกประสงค์เข้ากับมีเตอร์ (รูปที่ 2)
3. เชื่อมต่ออะแดปเตอร์ไฟอนเนกประสงค์เข้ากับเค้บ์รับ AC (รูปที่ 3)
4. เปิดมีเตอร์

รูปที่ 2 แผงเชื่อมต่อ



1 ช่องเชื่อมต่ออิเล็กโทรดอ้างอิง (อิเล็กโทรดแยก)	5 ช่องเชื่อมต่อเป็นพิมพ์คอมพิวเตอร์หรือ มินิ DIN
2 ช่องเชื่อมต่อโพรบอุณหภูมิแบบแยก	6 ช่องเชื่อมต่อโพรบวัดอุณหภูมิ
3 ช่องเชื่อมต่อ RS-232 สำหรับเครื่องพิมพ์หรือคอมพิวเตอร์	7 ช่องเชื่อมต่ออิเล็กโทรด pH แบบผสม (หรือตัวแสดงสถานะ)
4 พาวเวอร์สวิตช์หลาย	8 ช่องเชื่อมต่ออุปกรณ์แม่เหล็กกวนสาร

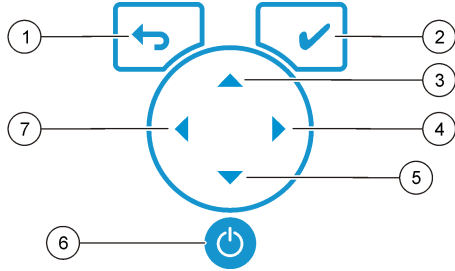
รูปที่ 3 การต่อไฟ AC



อินเทอร์เฟซผู้ใช้และโครงสร้างเมนู

อินเทอร์เฟซผู้ใช้

คำอธิบายปุ่มกด

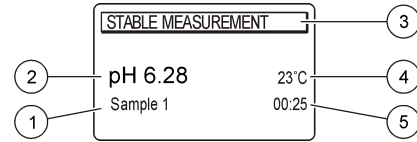


1 ปุ่ม RETURN: ยกเลิกหรือออกจากหน้าจอเมนู ปัจจุบัน และกลับไปหน้าจอเมนูก่อนหน้า	5 ปุ่ม DOWN (ลง): เลื่อนไปยังตัวเลือกอื่น, เปลี่ยนแปลงค่า
2 ปุ่ม MEASUREMENT: ยืนยันตัวเลือกที่เลือก	6 เปิด/ปิด: เปิดหรือปิดมิเตอร์
3 ปุ่ม UP (ขึ้น): เลื่อนไปยังตัวเลือกอื่น, เปลี่ยนแปลงค่า	7 ปุ่ม LEFT: เปลี่ยนหน่วยการวัด, ป้อนตัวเลขและตัวอักษร
4 ปุ่ม RIGHT: เปลี่ยนหน่วยการวัด, ป้อนตัวเลขและตัวอักษร	

คำอธิบายจอแสดงผล

หน้าจอแสดงผลของมิเตอร์จะแสดงความเข้มข้น, ยูนิต, อุณหภูมิ, สถานะการปรับเทียบ, ID ผู้ควบคุม, ID ตัวอย่าง, วันที่และเวลา

รูปที่ 4 การแสดงผลแบบหน้าจอเดียว



1 ID ตัวอย่าง	4 อุณหภูมิตัวอย่าง (°C หรือ °F)
2 หน่วยและค่าการตรวจวัด (pH, ORP (mV))	5 ตัวชี้เวลาการตรวจวัดที่มองเห็น
3 โหมดการตรวจวัด หรือเวลาและวันที่	

การใช้งานทั่วไป

ใช้ เพื่อกลับไปยังเมนูก่อนหน้า ใช้ปุ่มการวัด เพื่อทำการวัดตัวอย่าง หรือเพื่อยืนยันตัวเลือก ใช้ปุ่มลูกศร เพื่อเลื่อนไปยังตัวเลือกอื่น หรือเพื่อเปลี่ยนค่า หากต้องการเปลี่ยนพารามิเตอร์ ให้ใช้ปุ่มลูกศร และ ▶ ไปรูดคีย์แนะนำเฉพาะของแต่ละการดำเนินงาน

การเริ่มใช้งาน

เปิดและปิดมิเตอร์

หมายเหตุ

ตรวจสอบให้แน่ใจว่าได้เชื่อมต่อโพรบเข้ากับเครื่องวัด ก่อนที่ปิดเครื่องวัด

กด เพื่อเปิดหรือปิดเครื่องวัด หากเปิดมิเตอร์ไม่คิด ตรวจสอบให้แน่ใจว่าได้ทำการเชื่อมต่อพาวเวอร์ซัพพลาย AC กับเต้าฟ้าอย่างถูกต้อง

การเปลี่ยนภาษา

การเลือกภาษาสำหรับการแสดงผลจะเกิดขึ้นเมื่อเปิดใช้งานมิเตอร์เป็นครั้งแรก

- ใช้ เพื่อเลือกภาษาจากรายการ
- ยืนยันด้วย หน้าจอการตรวจวัดจะแสดง DATA OUTPUT
- เลือก หุคทำงานหากไม่ได้เชื่อมต่อกับเครื่องพิมพ์หรือคอมพิวเตอร์ และยืนยัน ไปรูดคีย์ **เลือกเอาต์พุตข้อมูล** ในหน้า 117 สำหรับข้อมูลเพิ่มเติมเกี่ยวกับเอาต์พุตข้อมูล

การทำงานมาตรฐาน

การเปรียบเทียบ

⚠ คำเตือน
อาจได้รับอันตรายจากการสัมผัสสารเคมี ปฏิบัติตามขั้นตอนเพื่อความปลอดภัยในห้องปฏิบัติการ และสวมใส่อุปกรณ์ป้องกันทั้งหมด ให้เหมาะสมในการดำเนินงานกับสารเคมีนั้นๆ โปรดดูที่โปรโตคอลนิตยภัต ตามเอกสารข้อมูลด้านความปลอดภัยสำหรับวัสดุ (MSDS)

การตั้งค่าการเปรียบเทียบ

การตั้งค่าการเปรียบเทียบจะประกอบไปด้วยชนิดของการเปรียบเทียบ, ความถี่ของการเปรียบเทียบ และตัวเลือกการแสดงผล

1. จากเมนูหลัก ใช้ ▲ หรือ ▼ เพื่อเลือก CALIBRATION ขึ้นชั้น
2. ใช้ ▲ เพื่อเข้าสู่เมนูการเปรียบเทียบ
3. ใช้ ▲ หรือ ▼ เพื่อเลือกตัวเลือกต่อไปนี้:

ตัวเลือก	คำอธิบาย
เกณฑ์ความเสถียร:	เกณฑ์ความเสถียร—เลือกจาก เร็ว, มาตรฐาน หรือละเอียด
ชนิดการเปรียบเทียบ	ชนิดการเปรียบเทียบ—เลือกบัพเฟอร์เทคนิคอล, บัพเฟอร์ DIN19266, บัพเฟอร์ผู้ใช้, หรือค่า X, ข้อมูลช่วงคืน หรือ การเปรียบเทียบความทฤษฎี โปรดดูที่ Calibration types สำหรับข้อมูลเพิ่มเติม
Cal. ความถี่ในการเปรียบเทียบ	ตัวเดือนการเปรียบเทียบ—สามารถตั้งค่าได้ระหว่าง 0–7 วัน (สำหรับส้มสีทูกูทวัน) หน้าจอจะแสดงระยะเวลาที่เหลือก่อนการเปรียบเทียบครั้งใหม่ โปรดดูที่ ตั้งตัวเดือนการเปรียบเทียบ ในหน้า 116 สำหรับข้อมูลเพิ่มเติม
แสดงผล mV	แสดงผล mV - เลือก YES หรือ No เพื่อแสดงผล mV
มาตรฐาน 220 mV	มาตรฐาน 220 mV—เปรียบเทียบด้วยน้ำยาสอบเทียบ 220
เป็นค่า X	เป็นค่า X—ใช้น้ำยาสอบเทียบแบบเฉพาะ ปรับตั้งค่าระหว่างการเปรียบเทียบ
ค่าเริ่มต้น	การชดเชยค่าเริ่มต้น—ป้อนค่าชดเชย
การปรับตั้งของโรงงาน	การปรับตั้งของโรงงาน—ป้อนค่าชดเชย

ชนิดการเปรียบเทียบ

สามารถเลือกชนิดการเปรียบเทียบได้หลายแบบ

1. จากเมนูหลัก ใช้ ▲ หรือ ▼ เพื่อเลือก CALIBRATION ขึ้นชั้น
2. ใช้ ▲ เพื่อเข้าสู่เมนูการเปรียบเทียบ
3. ใช้ ▲ หรือ ▼ เพื่อเลือกชนิดการเปรียบเทียบ

ตัวเลือก	คำอธิบาย
บัพเฟอร์เทคนิคอล	pH 2.00, 4.01, 7.00, 9.21 และ 10.90 ที่ 25 °C (77 °F)
บัพเฟอร์ DIN19266	pH 1.679, 4.006, 6.865, 7.000, 9.180, 10.012 และ 12.454
บัพเฟอร์ผู้ใช้	จะถูกเลือกใช้เมื่อไม่ได้ใช้งานบัพเฟอร์เทคนิคอล หรือ DIN19266 ดูรายละเอียดใน น้ำยาบัพเฟอร์ทางเทคนิค (DIN 19267) ในหน้า 123 เพื่อดูค่า pH ของจุดบัพเฟอร์เฉพาะในอุณหภูมิค้างกัน
เปรียบเทียบเป็นค่า X	สำหรับการปรับค่าสเกลใดๆ ของ pH ที่ตรวจวัดได้ด้วยตัวเอง
ค่าเริ่มต้น	ค่าเริ่มต้นคงที่จากโพรบแบบแมนนวล
การเปรียบเทียบความทฤษฎี	ข้อมูลการเปรียบเทียบโพรบจะถูกแทนที่ที่ 25 °C (77 °F)

ขั้นตอนการเปรียบเทียบ

ขั้นตอนเหล่านี้เป็นการอธิบายวิธีการเปรียบเทียบของหัววัดทั่วไป รายละเอียดเพิ่มเติมสามารถดูได้จากคู่มือการใช้งานของโพรบแต่ละชนิด

บันทึก: สารละลายการวัดได้รับการกวนในระหว่างการเปรียบเทียบ สำหรับข้อมูลเพิ่มเติมเกี่ยวกับการตั้งค่าการกวนโปรดดูที่ [การเปลี่ยนการตั้งค่าการกวน](#) ในหน้า 117

1. เทสารละลายบัพเฟอร์หรือน้ำยาปรับเทียบลงในหลอดปรับเทียบ
2. จากเมนูหลัก ให้ใช้ ▲ หรือ ▼ และ ◀ และ ▶ เพื่อเลือกพารามิเตอร์ CALIBRATION ขึ้นชั้น
3. หากจำเป็น ให้เลือก ID ผู้ควบคุม (1 ถึง 10) และขึ้นชั้น
4. ถ้างาโพรบด้วยน้ำปราศจากไอออน และจุ่มโพรบลงในบิลเกอร์ปรับเทียบขั้นแรก ตรวจสอบให้แน่ใจว่าไม่มีฟองอากาศเกิดขึ้นภายในเมมเบรน
5. กด ✓ เพื่อเริ่มต้นการปรับเทียบ
6. กด ✓ เพื่อรีเซ็ตน้ำยาปรับเทียบแรกข้อความ "The next calibration solution" (น้ำยาปรับเทียบถัดไป) จะปรากฏขึ้น
7. ถ้างาโพรบด้วยน้ำปราศจากไอออน และจุ่มโพรบลงในบิลเกอร์ปรับเทียบขั้นแรก ตรวจสอบให้แน่ใจว่าไม่มีฟองอากาศเกิดขึ้นภายในเมมเบรน
8. กด ✓ เพื่อตรวจวัดน้ำยาปรับเทียบที่สองข้อความ "The next calibration solution" (น้ำยาปรับเทียบถัดไป) จะปรากฏขึ้น

- ล้างโพรบด้วยน้ำปราศจากไอออน และจุ่มโพรบลงในบีกเกอร์ปรับเทียบอินแรก ตรวจสอบให้แน่ใจว่าไม่มีฟองอากาศเกิดขึ้นภายในเมนูเบรน
- กด เพื่อตรวจวัด ไซลูลชันการปรับเทียบที่สาม
เมื่อการปรับเทียบเป็นปกติ หน้าจอจะแสดงข้อความ "Calibration OK" เป็นเวลาสั้นๆ จากนั้นจะกลับไปยังเมนูหลัก
บันทึก: เมื่อมีการเชื่อมต่อกับเครื่องพิมพ์ เมนูเครื่องพิมพ์จะเปิดขึ้นและจะสามารถพิมพ์ผลลัพธ์ได้

ดูข้อมูลการปรับเทียบ

สามารถแสดงข้อมูลจากการปรับเทียบล่าสุดได้

- จากเมนูหลัก ใช้ หรือ เพื่อเลือก DATA LOGGER ขึ้นชั้น
- เลือกแสดงข้อมูล
- เลือกข้อมูลการปรับเทียบ และขึ้นชั้นด้วย ข้อมูลการปรับเทียบล่าสุดจะถูกแสดง
 - pH-ค่าความชื้นและค่าออฟเซตจะถูกแสดงสลับกับค่าความเบี่ยงเบน (เป็น %) และอุณหภูมิการปรับเทียบ
 - ORP-ค่า mV ที่ตรวจวัดได้ และอุณหภูมิการปรับเทียบจะถูกแสดง
 - ความนำไฟฟ้า-ค่าคงที่ของเซลล์และอุณหภูมิการปรับเทียบของแต่ละมาตรฐานจะถูกแสดง

ตั้งตัวเตือนการปรับเทียบ

สามารถตั้งตัวเตือนการปรับเทียบได้ตั้งแต่ 0 ถึง 23 ชั่วโมง หรือ 1-7 วัน (ค่าเริ่มต้น 0 วัน) หน้าจอจะแสดงระยะเวลาที่เหลือนก่อนการปรับเทียบครั้งใหม่

บันทึก: เมื่อเลือก 0 วัน จะเป็นการปิดตัวเตือนการปรับเทียบ

- จากเมนูหลัก ใช้ หรือ เพื่อเลือก CALIBRATION ขึ้นชั้น
- ใช้ เพื่อเลือกเมนูการปรับเทียบ
- ใช้ หรือ เพื่อเลือก ความถี่ในการปรับเทียบและขึ้นชั้น
- ใช้ และ เพื่อเข้าสู่ขั้นตอนถัดไป และใช้ หรือ เพื่อเปลี่ยนแปลงค่า ขึ้นชั้น
กด เพื่อเริ่มต้นการปรับเทียบ

การตรวจวัดตัวอย่าง

โพรบแต่ละอันจะมีขั้นตอนการเตรียมการและขั้นตอนการวัดตัวอย่างที่แตกต่างกัน

- จากเมนูหลัก ใช้ หรือ และ และ เพื่อเลือก MEASURE ขึ้นชั้น

- ใช้ เพื่อเปลี่ยนการตั้งค่าต่อไปนี้ ขึ้นชั้นทุกการบันทึก

ตัวเลือก	คำอธิบาย
แนวทางแก้ไข	เลือกความละเอียด: 1, 0.1, 0.01 (ค่าเริ่มต้น) หรือ 0.001
การตรวจวัด	แบบเสถียร—เลือกจากกษณะความเสถียร: เร็ว (ความแปรปรวน < 0.02 pH ใน 6 วินาที), มาตรฐาน (ความแปรปรวน < 0.01 pH ใน 6 วินาที) หรือละเอียด (ความแปรปรวน < 0.002 pH ใน 6 วินาที) แบบต่อเนื่อง—ป้อนช่วงเวลาสำหรับการตรวจวัดแบบต่อเนื่อง ช่วงเวลา (อุปกรณ์จัดเก็บข้อมูล หรือข้อมูลการพิมพ์) ตามเวลา—ป้อนช่วงเวลาสำหรับอุปกรณ์จัดเก็บข้อมูลหรือเครื่องพิมพ์
แสดง mV	แสดง mV - เลือก YES หรือ No เพื่อแสดง mV
ขีดจำกัด	ขีดจำกัด—เลือก YES หรือ NO YES: ป้อนขีดจำกัดช่วงบนและช่วงล่าง เสียงการเตือนจะถูกเล่นเมื่อการตรวจวัดอยู่นอกขีดจำกัด เอนท์ทุตรายงานจะมีตัว A แสดงอยู่ถัดจากการตรวจวัด เมื่อการตรวจวัดอยู่นอกขีดจำกัด
ระดับแรงดันน้ำ	ระดับแรงดันน้ำ—เปลี่ยนค่า pH ระดับแรงดันน้ำในช่วงสั้นของข้อมูล เลือก Calculate เพื่อปรับเทียบโพรบอีกครั้ง

- กด เพื่อเริ่มการตรวจวัด

บันทึก: หากการตรวจวัดไม่คงที่หลังจากผ่านไป 120 วินาที มิเตอร์จะเปลี่ยนไปใช้โหมดการตรวจวัดแบบต่อเนื่องโดยอัตโนมัติ

การปฏิบัติการขั้นสูง

การใช้ ID ตัวอย่าง

แท็ก ID ตัวอย่างมีไว้เพื่อเชื่อมโยงค่าที่วัดได้กับพื้นที่ตัวอย่างเฉพาะ หากกำหนดไว้ ID จะถูกรวมอยู่ในข้อมูลที่จัดเก็บด้วย

- จากเมนูหลัก ใช้ หรือ เพื่อเลือก SYSTEM ขึ้นชั้น
- ใช้ หรือ เพื่อเลือก ID ตัวอย่าง และขึ้นชั้น
- ใช้ หรือ เพื่อเลือก

ตัวเลือก	คำอธิบาย
อัตโนมัติ	หมายเลขถัดไปจะถูกกำหนดให้ทุกตัวอย่างโดยอัตโนมัติ
แมนวอล	จำเป็นต้องมีเป็นพิมพ์หรือเครื่องสแกนบาร์โค้ด เพื่อป้อนชื่อ ID ตัวอย่างก่อนทำการตรวจวัด (ไม่เกิน 15 ตัวอักษร)

เลือกเอาต์พุตข้อมูล

สามารถจัดเก็บข้อมูลหรือถ่ายโอนไปยังเครื่องพิมพ์ หรือคอมพิวเตอร์ได้

1. จากเมนูหลัก ใช้ ▲ หรือ ▼ เพื่อเลือก SYSTEM ขึ้นชั้น
2. ใช้ ▲ หรือ ▼ เพื่อเลือกเอาต์พุตข้อมูลและขึ้นชั้น
3. ใช้ ▲ หรือ ▼ เพื่อเลือก

ตัวเลือก	คำอธิบาย
หยุดทำงาน	เลือก หยุดทำงานหากไม่ได้เชื่อมต่อกับเครื่องพิมพ์หรือคอมพิวเตอร์
สำหรับเครื่องพิมพ์	เลือกเครื่องพิมพ์หัวเข็มหรือเครื่องพิมพ์ความร้อน
สำหรับคอมพิวเตอร์	เลือกเทอร์มินัล, ComLabo หรือ ComLabo Easy ซอฟต์แวร์ ComLabo จะควบคุมโมดูลต่างๆ , มิเตอร์ pH และความนำไฟฟ้า, หลอดแก้วอินนิตี้, ที่เก็บตัวอย่าง และอื่นๆ จากคอมพิวเตอร์ ซอฟต์แวร์ ComLabo Easy จะดึงข้อมูล pH และความนำไฟฟ้าจากคอมพิวเตอร์

การเปลี่ยนวันที่และเวลา

คุณสามารถเปลี่ยนวันที่และเวลาได้จากเมนูวันที่และเวลา

1. จากเมนูหลัก ใช้ ▲ หรือ ▼ เพื่อเลือก SYSTEM ขึ้นชั้น
2. ใช้ ▲ หรือ ▼ เพื่อเลือกวันที่ / เวลา และขึ้นชั้น
3. ใช้ ◀ และ ▶ เพื่อเข้าสู่ขั้นตอนถัดไป และใช้ ▲ หรือ ▼ เพื่อเปลี่ยนแปลงค่า ขึ้นชั้นวันที่และเวลาปัจจุบันจะถูกแสดงบนจอแสดงผล

ปรับค่าก่อนทราสต์จอแสดงผล

1. จากเมนูหลัก ใช้ ▲ หรือ ▼ เพื่อเลือก SYSTEM ขึ้นชั้น
2. ใช้ ▲ หรือ ▼ เพื่อเลือกคอนทราสต์จอแสดงผลและขึ้นชั้น
3. ใช้ ◀ และ ▶ เพื่อปรับคอนทราสต์จอแสดงผลและขึ้นชั้น

ปรับแต่งอุณหภูมิ

สามารถปรับแต่งการวัดอุณหภูมิที่ 25 °C (77 °F) และ/หรือ 85 °C (185 °F) เพื่อเพิ่มความแม่นยำ

1. จุ่มโทรบและเทอร์โมมิเตอร์อ้างอิงลงในภาชนะที่มีน้ำอยู่ที่อุณหภูมิประมาณ 25 °C แล้วทิ้งให้ทำการปรับเสถียรภาพ
2. เปรียบเทียบอุณหภูมิที่วัดได้จากเครื่องวัด กับเทอร์โมมิเตอร์อ้างอิง ส่วนต่างนั้นคือค่าปรับแต่งสำหรับเครื่องวัด ตัวอย่าง: เทอร์โมมิเตอร์อ้างอิง: 24.5 °C, เครื่องวัด: 24.3°C, ค่าปรับแต่ง: 0.2°C
3. การป้อนค่าปรับแต่งสำหรับการอ่านค่าที่อุณหภูมิ 25°C:
 - a. จากเมนูหลัก ใช้ ▲ หรือ ▼ เพื่อเลือก SYSTEM ขึ้นชั้น
 - b. ใช้ ▲ หรือ ▼ เพื่อเลือกปรับอุณหภูมิอีกครั้ง และขึ้นชั้น
 - c. ใช้ ▲ หรือ ▼ เพื่อเลือก 25 °C และขึ้นชั้น
 - d. ใช้ปุ่มลูกศรเพื่อป้อนค่าการปรับแต่งสำหรับ 25 °C และขึ้นชั้น
4. จุ่มโทรบและเทอร์โมมิเตอร์อ้างอิงลงในภาชนะที่มีน้ำอยู่ที่อุณหภูมิประมาณ 85 °C แล้วทิ้งให้ทำการปรับเสถียรภาพ
5. เปรียบเทียบอุณหภูมิที่วัดได้จากเครื่องวัด กับเทอร์โมมิเตอร์อ้างอิง ส่วนต่างนั้นคือค่าปรับแต่งสำหรับเครื่องวัด
 - a. ใช้ ▲ หรือ ▼ เพื่อเลือก 85 °C และขึ้นชั้น
 - b. ใช้ปุ่มลูกศรเพื่อป้อนค่าการปรับแต่งสำหรับ 85 °C และขึ้นชั้น
 - c. เลือก บันทึกการเปลี่ยนแปลง และขึ้นชั้น

การเปลี่ยนการตั้งค่าการกวน

สามารถทำการเปิดอุปกรณ์แม่เหล็กกวนสารและปรับความเร็วในการกวนได้ในเมนูการกวน

1. จากเมนูหลัก ใช้ ▲ หรือ ▼ เพื่อเลือก SYSTEM ขึ้นชั้น
2. ใช้ ▲ หรือ ▼ เพื่อเลือกการกวนและขึ้นชั้น
3. หากต้องการเปิด/ปิดอุปกรณ์กวนสาร ให้กด ✓
4. ขณะเปิดใช้งานอุปกรณ์กวนสาร ให้ใช้ ▲ หรือ ▼ เพื่อปรับความเร็วอุปกรณ์เป็น %
บันทึก: ใช้ ▲ หรือ ▼ เพื่อเปลี่ยนความเร็วอุปกรณ์กวนสารในระหว่างการปรับเทียบ และระหว่างการตรวจวัด

การเปลี่ยนหน่วยอุณหภูมิ

สามารถเปลี่ยนหน่วยอุณหภูมิเป็น เซลเซียส หรือ ฟาเรนไฮต์ ได้

1. จากเมนูหลัก ใช้ ▲ หรือ ▼ เพื่อเลือก SYSTEM ขึ้นชั้น

- ใช้ ▲ หรือ ▼ เพื่อเลือกหน่วยอุณหภูมิและอินชัณ
- ใช้ ▲ หรือ ▼ เพื่อเลือกกระหว่ก เซลเซียส และ ฟาเรนไฮม่ และอินชัณ

โปรแกรมบันทึกข้อมูล

ข้อมูลการแสดงผล

บันทึกข้อมูลการแสดงผลจะมีข้อมูลการตรวจวัด, รายงานอิเล็กทรอนิกส์ และข้อมูลการเปรียบเทียบ ข้อมูลที่จัดเก็บไว้สามารถส่งไปยังเครื่องพิมพ์หรือคอมพิวเตอร์ได้ เมื่อความจุของบันทึกข้อมูลเต็ม (400 หน่วยข้อมูล) หน่วยข้อมูลที่เก่าที่สุดจะถูกลบเมื่อมีการเพิ่มหน่วยข้อมูลใหม่

- จากเมนูหลัก ใช้ ▲ หรือ ▼ เพื่อเลือก SYSTEM อินชัณ
- ใช้ ▲ หรือ ▼ เพื่อเลือก DATA LOGGER และอินชัณ
- ใช้ ▲ หรือ ▼ เพื่อเลือกข้อมูลการแสดงผล และอินชัณ
- ใช้ ▲ หรือ ▼ เพื่อเลือก

ตัวเลือก	คำอธิบาย
ข้อมูลการตรวจวัด	ข้อมูลการตรวจวัด—จะถูกจัดเก็บโดยอัตโนมัติในเค้ลครั้งที่มีการตรวจวัดคั่วอย่าง
รายงานอิเล็กทรอนิกส์	รายงานอิเล็กทรอนิกส์—จะทำการจัดเก็บประวัติของอิเล็กทรอนิกส์และสถานะการวัดโดยอัตโนมัติ
ข้อมูลการเปรียบเทียบ	ข้อมูลการเปรียบเทียบ—จะจัดเก็บการเปรียบเทียบในปัจจุบันโดยอัตโนมัติ

ลบข้อมูล

สามารถลบข้อมูลการตรวจวัดทั้งหมด หรือบันทึกรายงานอิเล็กทรอนิกส์ เพื่อลบข้อมูลที่ถูกส่งไปยังเครื่องพิมพ์หรือคอมพิวเตอร์แล้วได้

- จากเมนูหลัก ใช้ ▲ หรือ ▼ เพื่อเลือก SYSTEM อินชัณ
- ใช้ ▲ หรือ ▼ เพื่อเลือก DATA LOGGER และอินชัณ
- ใช้ ▲ หรือ ▼ เพื่อเลือกลบและอินชัณ
- ใช้ ▲ หรือ ▼ เพื่อเลือกข้อมูลการตรวจวัด หรือรายงานอิเล็กทรอนิกส์ และอินชัณ อินชัณอีกครั้งเพื่อลบข้อมูล
บันทึกทั้งหมดจะถูกลบออกพร้อมกัน

ส่งข้อมูลไปยังเครื่องพิมพ์หรือคอมพิวเตอร์

หมายเหตุ

จะต้องทำการเลือกเอาต์พุตข้อมูล (เครื่องพิมพ์หรือคอมพิวเตอร์) ก่อน เพื่อให้เมนูเครื่องพิมพ์พร้อมใช้งาน (ดูที่เลือกเอาต์พุตข้อมูล ในหน้า 117)

บันทึก: ดูที่เอาต์พุตการรายงาน ในหน้า 118 เพื่อเลือกชนิดของเอาต์พุตการรายงาน

- จากเมนูหลัก ใช้ ▲ หรือ ▼ เพื่อเลือก SYSTEM อินชัณ
- ใช้ ▲ หรือ ▼ เพื่อเลือก DATA LOGGER และอินชัณ
- ใช้ ▲ หรือ ▼ เพื่อเลือกพิมพ์ และอินชัณ เลือกหนึ่งเงงในคั่วเลือกต่อไปนี้ และอินชัณด้วย ✓ เพื่อพิมพ์ข้อมูล: ข้อมูลการตรวจวัด, ข้อมูลอิเล็กทรอนิกส์, ข้อมูลการเปรียบเทียบ, รายงานการเปรียบเทียบ หรือสถานะของอุปกรณ์

เอาต์พุตการรายงาน

หมายเหตุ

จะต้องทำการเลือกเอาต์พุตข้อมูล (เครื่องพิมพ์หรือคอมพิวเตอร์) ก่อน เพื่อให้เมนูชนิดของการรายงานพร้อมใช้งาน (ดูที่เลือกเอาต์พุตข้อมูล ในหน้า 117)

สามารถเลือกเอาต์พุตการรายงานชนิดต่างๆ ได้ เมื่อมีการเชื่อมต่อเครื่องพิมพ์หรือคอมพิวเตอร์

- จากเมนูหลัก ใช้ ▲ หรือ ▼ เพื่อเลือก SYSTEM อินชัณ
- ใช้ ▲ หรือ ▼ เพื่อเลือกชนิดของการรายงานและอินชัณ
- เมื่อเชื่อมต่อเครื่องพิมพ์หรือคอมพิวเตอร์กับเทอร์มินัลแล้ว ให้ใช้ ▲ หรือ ▼ เพื่อเลือก

ตัวเลือก	คำอธิบาย
ลดขนาด	เลือกจากคั่วอย่าง จำนวนมาก หรือ น้อยเดียว เพื่อใช้เป็นรูปแบบการเอาต์พุต
มาตราฐาน	เลือกจากคั่วอย่าง มากกว่าหนึ่ง หรือ น้อยเดียว เพื่อใช้เป็นรูปแบบการเอาต์พุต เลือกมากกว่าหนึ่ง: ผู้ใช้: ชื่อผู้ใช้จะปรากฏบนรายงานที่พิมพ์ (17 ตัวอักษร) ส่วนหัว: สามารถเพิ่มชื่อบริษัทเป็นส่วนหัว (40 ตัวอักษร) และจะปรากฏบนรายงานที่พิมพ์ เซนเซอร์ที่ใช้: สามารถเพิ่มรุ่นและหมายเลขซีเรียลของเซนเซอร์เพื่อให้ปรากฏบนรายงานที่พิมพ์ได้
GLP	เลือกจากคั่วอย่าง มากกว่าหนึ่ง หรือ น้อยเดียว เพื่อใช้เป็นรูปแบบการเอาต์พุต เลือกมากกว่าหนึ่ง: ผู้ใช้: ชื่อผู้ใช้จะปรากฏบนรายงานที่พิมพ์ (17 ตัวอักษร) ส่วนหัว: สามารถเพิ่มชื่อบริษัทเป็นส่วนหัว (40 ตัวอักษร) และจะปรากฏบนรายงานที่พิมพ์ เซนเซอร์ที่ใช้: สามารถเพิ่มรุ่นและหมายเลขซีเรียลของเซนเซอร์เพื่อให้ปรากฏบนรายงานที่พิมพ์ได้

4. เมื่อเชื่อมต่อกับคอมพิวเตอร์และเลือก ComLabo Easy (โปรคดูที่ สำหรับข้อมูลเพิ่มเติม) ให้ใช้ ▲ หรือ ▼ เพื่อเลือก

ตัวเลือก คำอธิบาย

ผู้ใช้ ชื่อผู้ใช้จะปรากฏบนรายงานที่พิมพ์ (17 ตัวอักษร)

เซนเซอร์ที่ใช้ สามารถเพิ่มรุ่นและหมายเลขซีเรียลของเซนเซอร์เพื่อให้ปรากฏบนรายงานที่พิมพ์ได้

การดูแลรักษา

⚠ คำเตือน

อันตรายจากการแยกชิ้นส่วน ห้ามถอดแยกชิ้นส่วนอุปกรณ์ในการดูแลรักษา หากจำเป็นต้องทำความสะอาดหรือซ่อมแซมส่วนประกอบภายใน ให้ทำการติดต่อผู้ผลิต

⚠ ข้อควรระวัง

อาจทำให้เกิดการบาดเจ็บได้ บุคลากรผู้เชี่ยวชาญเท่านั้นที่ควรดำเนินการตามขั้นตอนที่ระบุในคู่มือส่วนนี้

การทำความสะอาดอุปกรณ์

หมายเหตุ

ห้ามใช้ผลิตภัณฑ์ทำความสะอาดที่มีส่วนผสมของน้ำมันสน, อะซิโตน หรือผลิตภัณฑ์ที่คล้ายกันนี้ ในการทำความสะอาดอุปกรณ์ รวมถึงจอแสดงผล และอุปกรณ์เสริม

ทำความสะอาดด้านนอกของอุปกรณ์ด้วยผ้าเปียก ชุบด้วยน้ำสบู่อ่อนๆ

การทำความสะอาดโพรม

ทำความสะอาดโพรมเมื่อจำเป็น โปรดดูที่ **การแก้ไขปัญหา** ในหน้า 121 สำหรับข้อมูลเพิ่มเติมเกี่ยวกับการทำความสะอาด โปรดดูเอกสารของโพรมสำหรับข้อมูลเพิ่มเติมเกี่ยวกับการดูแลรักษาโพรม

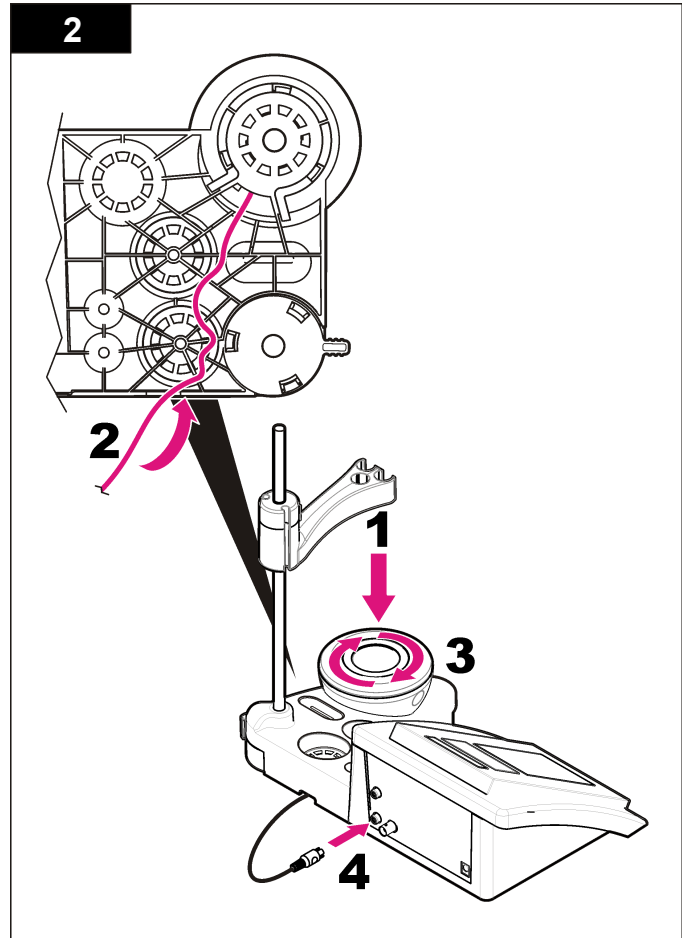
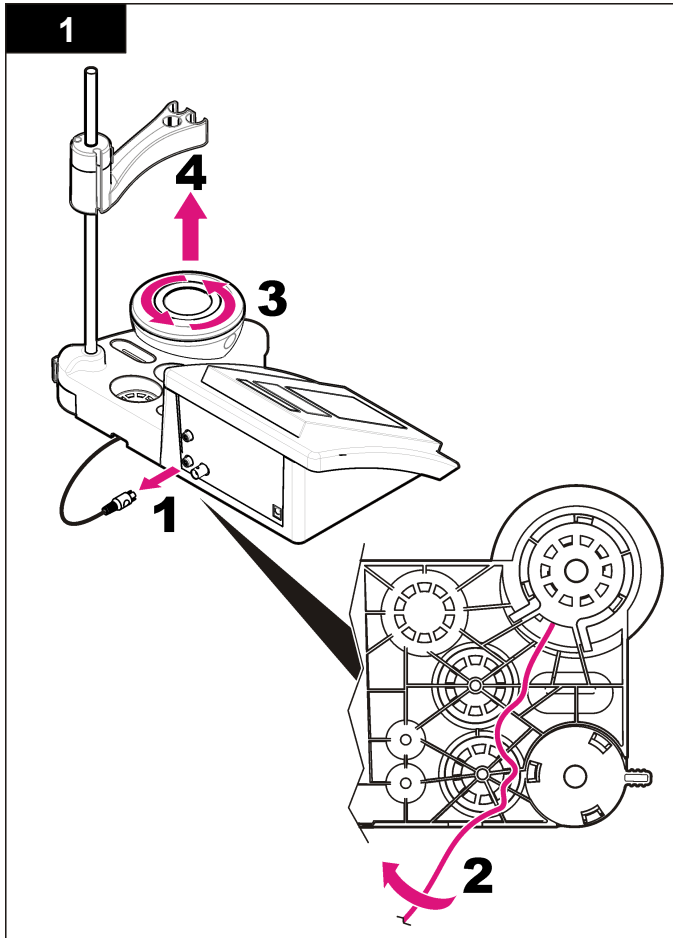
ใช้สารทำความสะอาดที่แสดงไว้ใน **ตาราง 1** สำหรับการปนเปื้อนบนโพรม pH

ตาราง 1 สารทำความสะอาดสำหรับโพรม pH

การปนเปื้อน	สารทำความสะอาด
โปรตีน	สารละลายทำความสะอาดที่เปปซิน
ไข, น้ำมัน, ไขมัน	สารละลายทำความสะอาดอัลีลิกโคทรอล
ตะกอน	สารละลาย 0.1 N HCl

เปลี่ยนอุปกรณ์แม่เหล็กกวนสาร

หากอุปกรณ์แม่เหล็กกวนสารไม่เริ่มทำงาน ให้ทำตามขั้นตอนต่อไปนี้เพื่อทำการเปลี่ยนอุปกรณ์แม่เหล็กกวนสาร



การแก้ไขปัญหา

โปรดดูตารางต่อไปนี้เป็นที่สำหรับข้อความแสดงปัญหาหรืออาการทั่วไป สาเหตุของปัญหาที่เป็นไปได้ และแนวทางแก้ไขปัญหา

ตาราง 2 ค่าเตือนและข้อผิดพลาดในการเปรียบเทียบ

ข้อผิดพลาด/ค่าเตือน	แนวทางแก้ไขปัญหา
ความชัน > 58 mV	อยู่นอกช่วงความชัน (ค่าที่ยอมรับ ± 58 mV) เปรียบเทียบอีกครั้ง เชื่อมต่อโทรอันใหม่
บัพเฟอร์หรืออิเล็กโตรดอยู่ ในสถานะคือคุณภาพ	เปรียบเทียบอีกครั้ง ตรวจสอบโทรอัน: ทำความสะอาดโทรอัน (ดูที่ การทำความสะอาดโทรอัน ในหน้า 119 สำหรับข้อมูลเพิ่มเติม); ตรวจสอบให้แน่ใจว่าไม่มีฟองอากาศภายใน เมมเบรน เข้าโทรอันเหมือนกับเทอร์โมมิเตอร์; เชื่อมต่อโทรอันอื่นเพื่อตรวจสอบ ว่าปัญหาเกิดขึ้นจากโทรอันหรือมิเตอร์
Sens. (a) < 70%	ตรวจสอบน้ำยาบัพเฟอร์: ตรวจสอบให้แน่ใจว่าบัพเฟอร์ที่ใช้ตรงกับบัพเฟอร์ที่ระบุ ไว้ในกาหนดค่า; ตรวจสอบให้แน่ใจว่าอุณหภูมิตรงกับที่ระบุไว้ในกาหนด ค่า; ใช้น้ำยาบัพเฟอร์ใหม่
BUFFER NOT RECOGNIZED	เปรียบเทียบอีกครั้ง ตรวจสอบโทรอัน: ทำความสะอาดโทรอัน (ดูที่ การทำความสะอาดโทรอัน ในหน้า 119 สำหรับข้อมูลเพิ่มเติม); ตรวจสอบให้แน่ใจว่าไม่มีฟองอากาศภายใน เมมเบรน เข้าโทรอันเหมือนกับเทอร์โมมิเตอร์; เชื่อมต่อโทรอันอื่นเพื่อตรวจสอบ ว่าปัญหาเกิดขึ้นจากโทรอันหรือมิเตอร์
UNSTABLE READING Time t > 100 s	ตรวจสอบให้แน่ใจว่าเมมเบรนและโคอะเฟรมจุ่มอยู่ในตัวอย่างอย่างถูกต้อง

ตาราง 2 ค่าเตือนและข้อผิดพลาดในการเปรียบเทียบ (ต่อ)

ข้อผิดพลาด/ค่าเตือน	แนวทางแก้ไขปัญหา
อิเล็กโตรดอยู่ในสถานะ คือคุณภาพ	ตรวจสอบโทรอัน: ทำความสะอาดโทรอัน (ดูที่ การทำความสะอาดโทรอัน ในหน้า 119 สำหรับข้อมูลเพิ่มเติม); ตรวจสอบให้แน่ใจว่าไม่มีฟองอากาศภายใน เมมเบรน เข้าโทรอันเหมือนกับเทอร์โมมิเตอร์; เชื่อมต่อโทรอันอื่นเพื่อตรวจสอบ ว่าปัญหาเกิดขึ้นจากโทรอันหรือมิเตอร์
ตรวจสอบอิเล็กโตรด	เปรียบเทียบอีกครั้ง ตรวจสอบโทรอัน: ทำความสะอาดโทรอัน (ดูที่ การทำความสะอาดโทรอัน ในหน้า 119 สำหรับข้อมูลเพิ่มเติม); ตรวจสอบให้แน่ใจว่าไม่มีฟองอากาศภายใน เมมเบรน เข้าโทรอันเหมือนกับเทอร์โมมิเตอร์; เชื่อมต่อโทรอันอื่นเพื่อตรวจสอบ ว่าปัญหาเกิดขึ้นจากโทรอันหรือมิเตอร์
SAME BUFFERS	ตรวจสอบน้ำยาบัพเฟอร์: ใช้น้ำยาบัพเฟอร์ใหม่

ตาราง 3 ค่าเตือนและข้อผิดพลาดในการตรวจวัด

ข้อผิดพลาด/ค่า เตือน	แนวทางแก้ไขปัญหา
pH 12.78 19°C	เปรียบเทียบอีกครั้ง
pH อยู่นอกช่วง	ตรวจสอบโทรอัน: ทำความสะอาดโทรอัน (ดูที่ การทำความสะอาดโทรอัน ในหน้า 119 สำหรับ ข้อมูลเพิ่มเติม); ตรวจสอบให้แน่ใจว่าไม่มีฟองอากาศภายในเมมเบรน เข้าโทรอันเหมือนกับ เทอร์โมมิเตอร์; เชื่อมต่อโทรอันอื่นเพื่อตรวจสอบว่าปัญหาเกิดขึ้นจากโทรอันหรือมิเตอร์
อุณหภูมิอยู่นอก ช่วง °C	ตรวจสอบเซนเซอร์อุณหภูมิ: เชื่อมต่อโทรอันอื่นเพื่อตรวจสอบว่าปัญหาเกิดขึ้นกับโทรอันหรือมิเตอร์
เวลา > 60 วินาที	ตรวจสอบให้แน่ใจว่าเมมเบรนและโคอะเฟรมจุ่มอยู่ในตัวอย่างอย่างถูกต้อง
เวลา > 150 วินาที	ตรวจสอบอุณหภูมิ ตรวจสอบโทรอัน: ทำความสะอาดโทรอัน (ดูที่ การทำความสะอาดโทรอัน ในหน้า 119 สำหรับ ข้อมูลเพิ่มเติม); ตรวจสอบให้แน่ใจว่าไม่มีฟองอากาศภายในเมมเบรน เข้าโทรอันเหมือนกับ เทอร์โมมิเตอร์; เชื่อมต่อโทรอันอื่นเพื่อตรวจสอบว่าปัญหาเกิดขึ้นจากโทรอันหรือมิเตอร์
เวลา > 300 วินาที	

ส่วนประกอบสำหรับเปลี่ยนแทนและอุปกรณ์เสริม

บันทึก: หมายเลขผลิตภัณฑ์และส่วนประกอบอาจแตกต่างกันไปตามภูมิภาคที่จัดจำหน่าย ติดต่อตัวแทนจำหน่าย หรือไปที่เว็บไซต์ของบริษัทเพื่อข้อมูลเพิ่มเติม

ชิ้นส่วนอะไหล่

คำอธิบาย	รหัสสินค้า
มิเตอร์-pH sensION+ PH3 Lab พร้อมอุปกรณ์เสริม, ไม่รวมโทรบ	LPV2000.97.0002
มิเตอร์-pH sensION+ PH31 Lab, GLP, พร้อมอุปกรณ์เสริม, ไม่รวมโทรบ	LPV2100.97.0002
มิเตอร์-pH & Ion sensION+ MM340 Lab, GLP, 2 แชนเนล, พร้อมอุปกรณ์เสริม, ไม่รวมโทรบ	LPV2200.97.0002
มิเตอร์นำไฟฟ้า sensION+ EC7, พร้อมอุปกรณ์เสริม, ไม่รวมโทรบ	LPV3010.97.0002
มิเตอร์นำไฟฟ้า sensION+ EC71 Lab, GLP, พร้อมอุปกรณ์เสริม, ไม่รวมโทรบ	LPV3110.97.0002
sensION+ MM374, มิเตอร์เล็บ 2 แชนเนล, GLP, อุปกรณ์เสริม, ไม่รวมโทรบ	LPV4110.97.0002

วัสดุสิ้นเปลือง

คำอธิบาย	หมายเลขชิ้นส่วน
น้ำยาบัฟเฟอร์ pH 4.01, พร้อมเอกสารรับรอง, 125 มล.	LZW9460.99
น้ำยาบัฟเฟอร์ pH 7.00, พร้อมเอกสารรับรอง, 125 มล.	LZW9461.97
น้ำยาบัฟเฟอร์ pH 10.00, พร้อมเอกสารรับรอง, 125 มล.	LZW9470.99
น้ำยาบัฟเฟอร์ pH 4.01, พร้อมเอกสารรับรอง, 250 มล.	LZW9463.99
น้ำยาบัฟเฟอร์ pH 7.00, พร้อมเอกสารรับรอง, 250 มล.	LZW9464.97
น้ำยาบัฟเฟอร์ pH 10.00, พร้อมเอกสารรับรอง, 250 มล.	LZW9471.99

ส่วนประกอบสำหรับเปลี่ยนแทนและอุปกรณ์เสริม (ต่อ)

คำอธิบาย	หมายเลขชิ้นส่วน
น้ำยาบัฟเฟอร์ pH 4.01, พร้อมเอกสารรับรอง, 1000 มล.	LZW9466.99
น้ำยาบัฟเฟอร์ pH 7.00, พร้อมเอกสารรับรอง, 1000 มล.	LZW9467.97
น้ำยาบัฟเฟอร์ pH 10.00, พร้อมเอกสารรับรอง, 1000 มล.	LZW9472.99
น้ำยาอิเล็กโทรไลต์ (KC13M), 125 มล.	LZW9510.99
น้ำยาอิเล็กโทรไลต์ (KC13M), 250 มล.	LZW9500.99
น้ำยาอิเล็กโทรไลต์ (KC13M), 50 มล.	LZW9509.99
น้ำยาอิเล็กโทรไลต์ 0.1 M, 125 มล.	LZW9901.99
สารละลายไอโซม	2964349
สารละลายทำความสะอาดเบส	2964349
สารละลายทำความสะอาดอิเล็กโทรด	2965249
สารละลาย 0.1 N HCl	1481253
เอธานอล, 95% (จารบี, น้ำมัน, ไขมัน)	2378900

อุปกรณ์เสริม

คำอธิบาย	หมายเลขชิ้นส่วน
เครื่องพิมพ์ความร้อน, RS232, สำหรับเบสที่อป sensION+	LZW8201.99
กระดาษความร้อนสำหรับเครื่องพิมพ์ LZW8201, ในถุงพร้อม 5 ม้วน	LZW9117.99
เครื่องพิมพ์หัวเข็ม, RS232, สำหรับอุปกรณ์ sensION+	LZW8200.99
กระดาษความร้อนสำหรับเครื่องพิมพ์ LZW8200, ในถุงพร้อม 10 ม้วน	LZW9000.99
ริบบอนสำหรับเครื่องพิมพ์ LZW8200, 3 ยูนิค	LZW9001.99

ส่วนประกอบสำหรับเปลี่ยนแทนและอุปกรณ์เสริม (ต่อ)

คำอธิบาย	หมายเลขชิ้นส่วน
LabCom Easy PC SW, สำหรับ sensION+ GLP, แผ่นซีดี, สายเคเบิล, อะแดปเตอร์ USB	LZW8997.99
LabCom PC SW, สำหรับ sensION+ GLP, แผ่นซีดี, สายเคเบิล, อะแดปเตอร์ USB	LZW8999.99
สายเคเบิล RS232, สำหรับอุปกรณ์แบบซีทีโอป sensION+	LZW9135.99
สายเคเบิล RS232 สำหรับแบบซีทีโอป sensION+ , พร้อมอะแดปเตอร์ USB	LZW9135USB.99
อุปกรณ์แม่เหล็กกวนสารพร้อมแท่นยึดเซนเซอร์, สำหรับแบบซีทีโอป sensION+ MM	LZW9319.99
บีกเกอร์พิมพ์ลายขนาด 3x50 มล. สำหรับแบบซีทีโอปปรับเทียบ pH	LZW9110.97
แท่นยึดสามเซนเซอร์, สำหรับอุปกรณ์แบบซีทีโอป sensION+	LZW9321.99
แท่นยึดและเคลมปีสำหรับสามเซนเซอร์	LZW9155.99
ช่องกระจก Pyrex, สำหรับการตรวจวัดไฟลว์อย่างต่อเนื่อง	LZW9118.99
อุปกรณ์ป้องกัน PP, สำหรับจัดเก็บอิเล็กโทรด	LZW9161.99

น้ำยาสอบเทียบ

น้ำยาบัฟเฟอร์ทางเทคนิค (DIN 19267)

ดูรายละเอียดใน [ตาราง 4](#) เพื่อดูค่า pH และ ORP (mV) ของบัฟเฟอร์แต่ละประเภทในอุณหภูมิที่ต่างกัน

ตาราง 4 ค่า pH, ORP (mV) และอุณหภูมิ

อุณหภูมิ		pH					mV
°C	°F						
0	32	2.01	4.01	7.12	9.52	10.30	—
10	50	2.01	4.00	7.06	9.38	10.17	245
20	68	2.00	4.00	7.02	9.26	10.06	228
25	77	2.00	4.01	7.00	9.21	10.01	220
30	86	2.00	4.01	6.99	9.16	9.96	212
40	104	2.00	4.03	6.97	9.06	9.88	195
50	122	2.00	4.06	6.97	8.99	9.82	178
60	140	2.00	4.10	6.98	8.93	9.76	160
70	158	2.01	4.16	7.00	8.88	—	—
80	176	2.01	4.22	7.04	8.83	—	—
90	194	2.01	4.30	7.09	8.79	—	—

HACH COMPANY World Headquarters

P.O. Box 389, Loveland, CO 80539-0389 U.S.A.

Tel. (970) 669-3050

(800) 227-4224 (U.S.A. only)

Fax (970) 669-2932

orders@hach.com

www.hach.com

HACH LANGE GMBH

Willstätterstraße 11

D-40549 Düsseldorf, Germany

Tel. +49 (0) 2 11 52 88-320

Fax +49 (0) 2 11 52 88-210

info@hach-lange.de

www.hach-lange.de

HACH LANGE Sàrl

6, route de Compois

1222 Vézenaz

SWITZERLAND

Tel. +41 22 594 6400

Fax +41 22 594 6499

